

VD ANTI VIBRATION MOUNTS



The AMC-MECANOCAUCHO® VD anti vibration mounts work the elastomer in shear and compression. It is comprised of 2 metal parts which allow the mount to be installed easily by means of the two standard built-in studs provided.

TECHNICAL CHARACTERISTICS

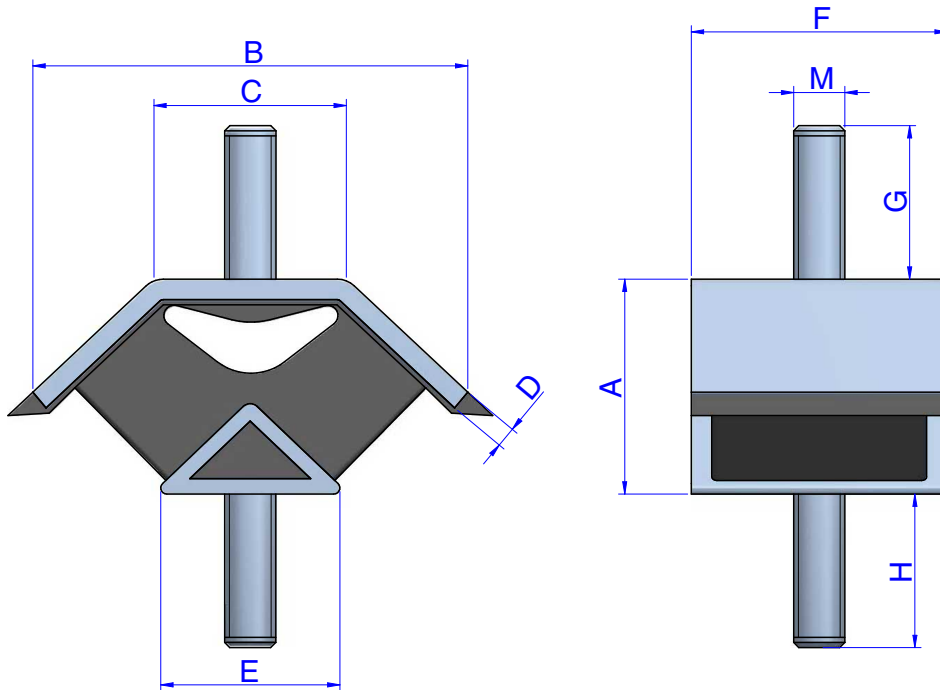
The type VD Mount shape provides high deflections for relatively low loads. This means that the natural frequency is low and ideal for engines which frequently run at idle speed. It has three different stiffness rates in the Vertical, Lateral and Longitudonal axes which permits adjustment of stiffness modes for optimal isolation and stability. They can be installed at specific angles to provide adjustment of the suspension system. Please contact our Technical Department for further details.

APPLICATIONS

It is used in applications where the load of the suspended unit is low and the level of vibration isolation must be high, such as: Small vehicles. Small and medium-sized gen sets. Construction equipment machinery



DRAWINGS

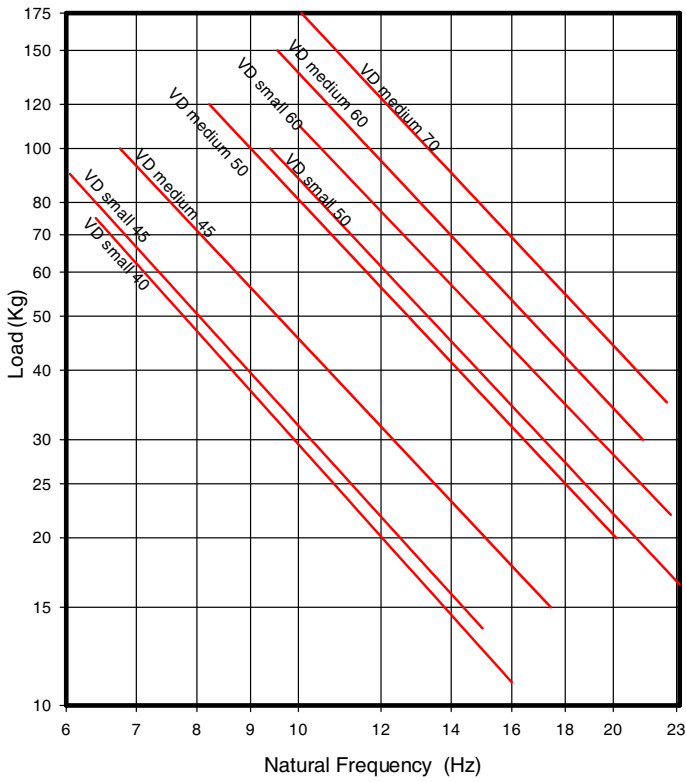


DIMENSIONS

Type	A (mm)	B (mm)	C (mm)	D (mm)	E (mm)	F (mm)	G (mm)	H (mm)	M	Weight (gr.)	Load (kg)	Code
Small 40	41	95	39	4	35	50	23	25	M-10	330	75	148121
Small 45 M12	41	95	39	4	35	50	30	30	M-12	350	90	148132
Small 50	41	95	39	4	35	50	23	25	M-10	330	100	148123
Small 60	41	95	39	4	35	50	23	25	M-10	330	110	148125
Small 60 M12	41	95	39	4	35	50	30	31	M-12	350	110	148133
Medium 45	64	130	60	6	52	60	34	36	M-12	805	100	148101
Medium 50	64	130	60	6	52	60	34	36	M-12	805	100	148102
Medium 60	64	130	60	6	52	60	34	36	M-12	805	150	148104
Medium 70	64	130	60	6	52	60	34	36	M-12	805	175	148105

Elastical properties

NATURAL FREQUENCY
MECANOCAUCHO® VD MOUNT



LOAD DEFLECTION CURVE
MECANOCAUCHO® VD MOUNT

