

## Vibrabsorber

# 1V-SR ANTI SEISMIC MOUNTS



- A spring with high elasticity and very low natural frequency
- An incorporated levelling system
- A Sylomer pad under the mount base in order to isolate mid-high frequencies comes standard

### TECHNICAL CHARACTERISTICS

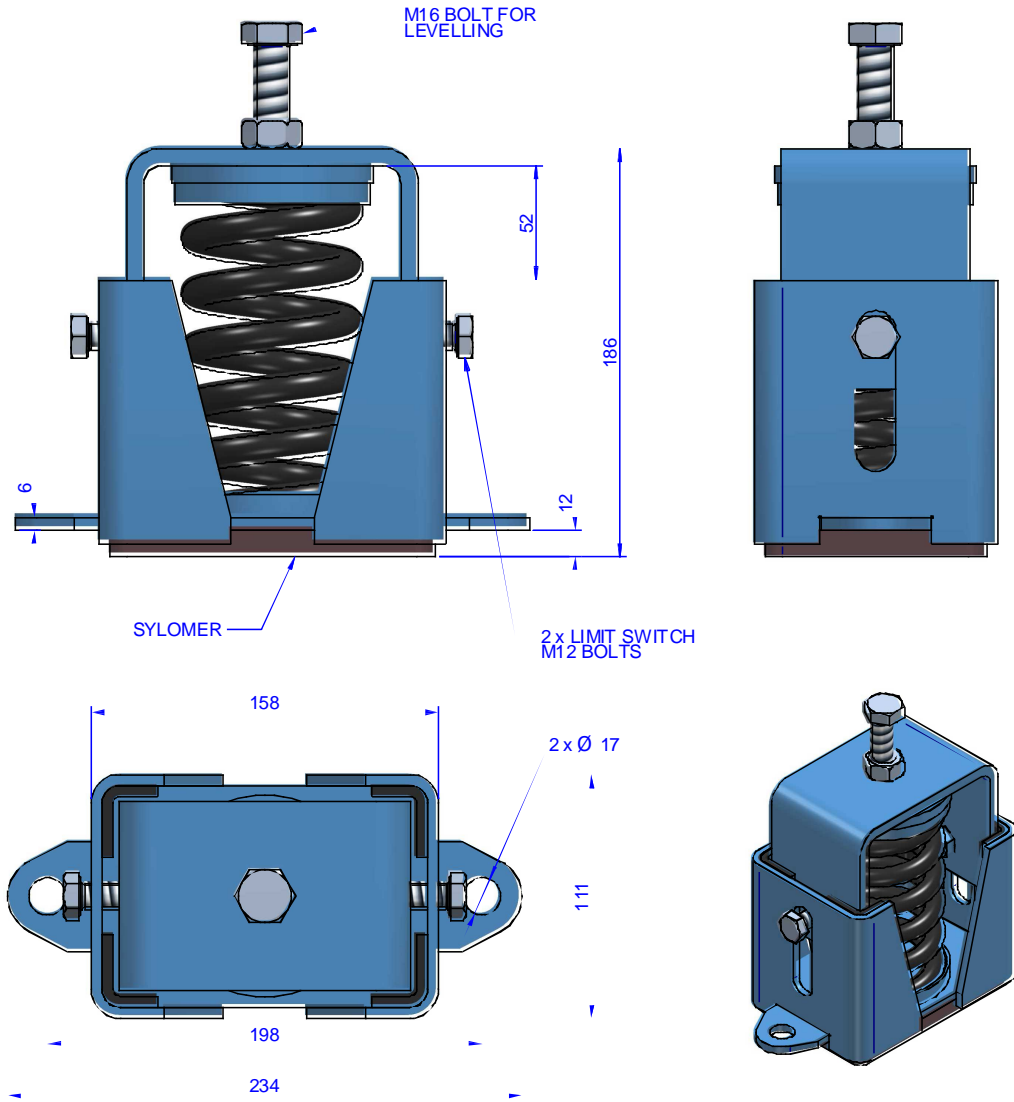
The mounts are able to reach low natural frequencies from 3 to 5 Hz. The spring combined with Sylomer® is able to provide high isolation at low-medium-high frequencies.

The curves are showing the deflection and natural frequencies according to the load of the spring.  
Working range temperature from -30°C to +70°C.  
Short term higher temperatures are possible.



# Vibrabsorber 1V-SR ANTI SEISMIC MOUNTS

## DRAWINGS



## DIMENSIONS

Type	Spring color	Load (kg)	Weight (kg)	Code
V-SR-650 ANTI SEISMIC + SYLOMER	BLACK	650	6,715	20502
V-SR-800 ANTI SEISMIC + SYLOMER	BLACK	800	6,74	20503
V-SR-1000 ANTI SEISMIC + SYLOMER	BLACK	1000	7,045	20504
V-SR-1200 ANTI SEISMIC + SYLOMER	BLACK	1200	7,119	20505

# Vibrabsorber

## 1V-SR ANTI SEISMIC MOUNTS

Elastical properties

