

Vibrabsorber **4 AMC**



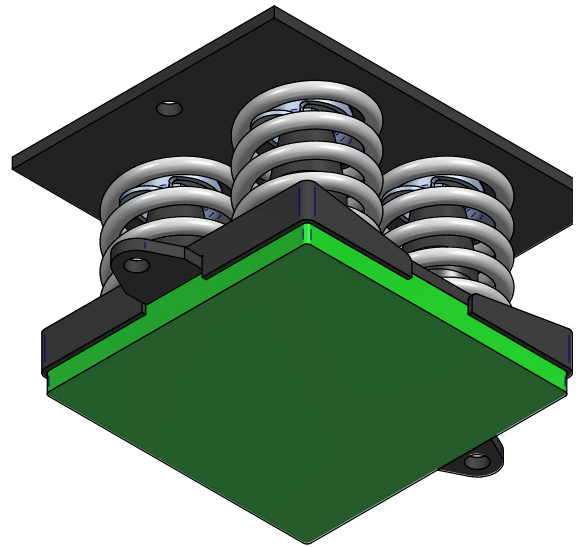
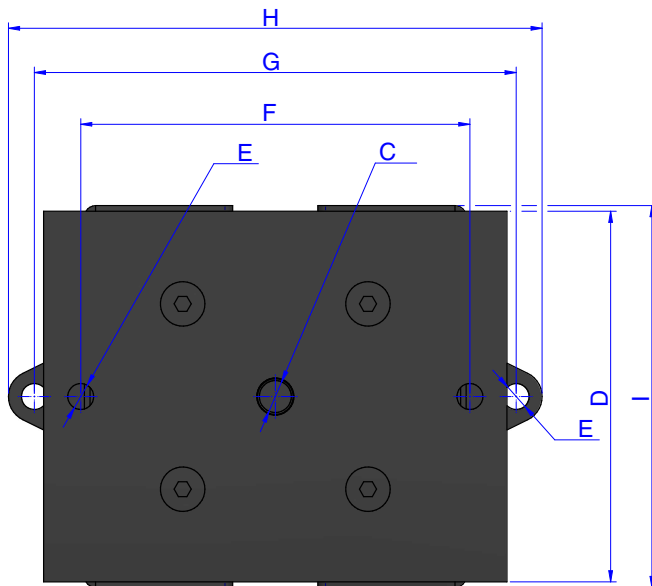
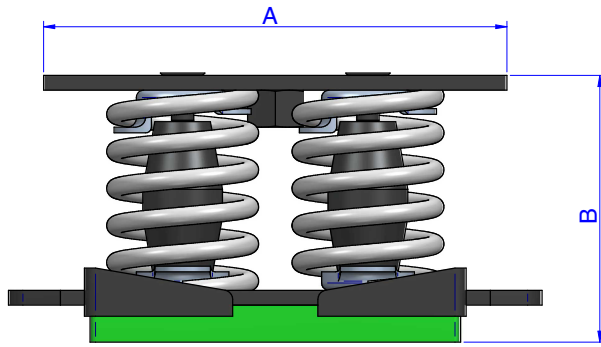
Spring mount is necessary in all machinery, which, by virtue of its design, has reciprocating or rotating parts, creates vibration to some degree through the imbalance of the moving parts.

This vibration produced by a machine leads to different problems, such as a reduction in the machine's useful life through part wear, plus the transmission of this vibration to other non-insulated adjacent structures, giving rise to problems of noise and vibration transmission. It is therefore important to install a spring mount to machinery.



Vibrabsorber 4 AMC

DRAWINGS

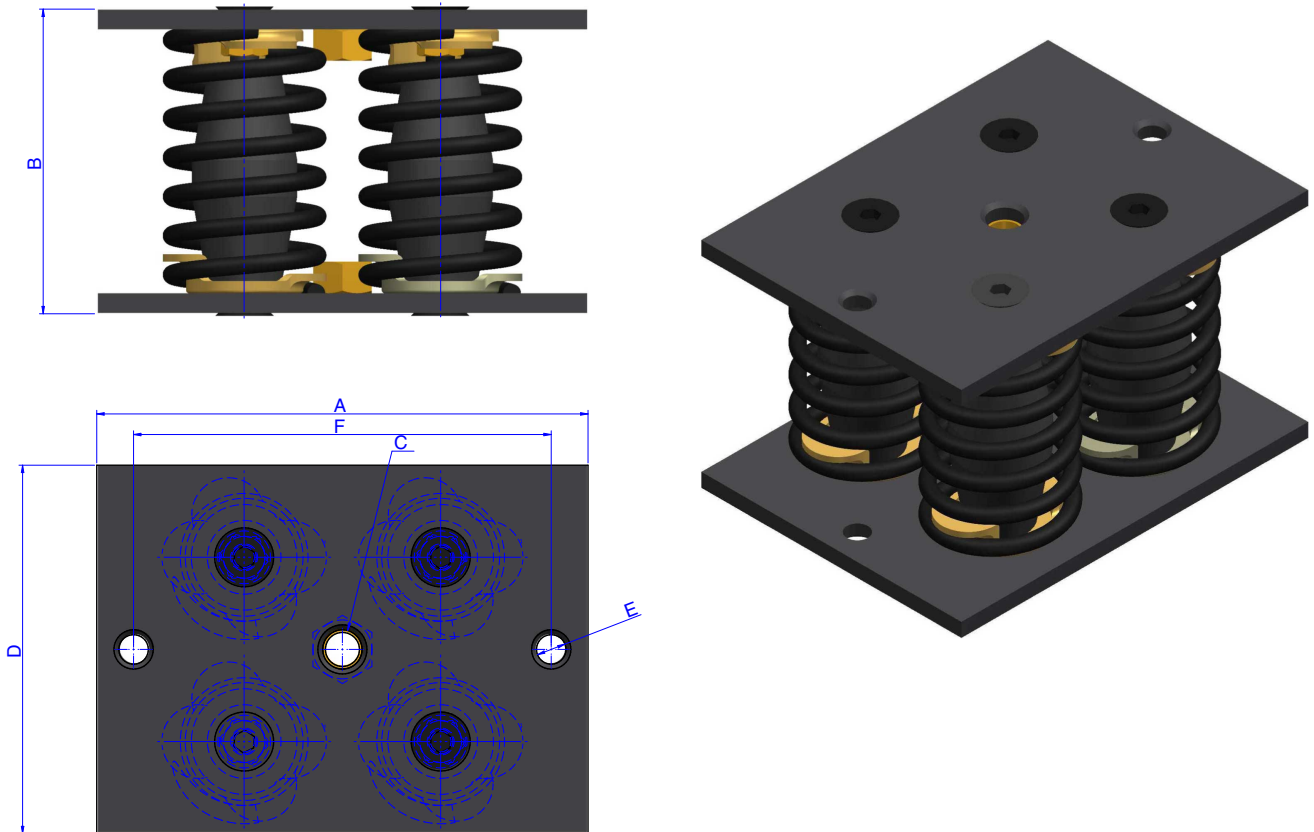


DIMENSIONS

Type	A (mm.)	B (mm.)	Spring color	C (mm.)	D (mm.)	E (mm.)	F (mm.)	G (mm.)	H (mm.)	I (mm.)	Max. Load (kg.)	Weight (kg.)	Code
4 AMC 600+Sylomer®	200	136	BLUE	M-16	150	12	170	190	214	156	600	6,412	20671
4 AMC 800+Sylomer®	200	136	WHITE	M-16	150	12	170	190	214	156	800	6,572	20672
4 AMC 1000+Sylomer®	200	136	BLACK	M-16	150	12	170	190	214	156	1000	6,7	20673
4 AMC 1400+Sylomer®	200	136	CREAM	M-16	150	12	170	190	214	156	1400	7,636	20674
4 AMC 2000+Sylomer®	250	136	LIGHT GREY	M-20	200	14	210	260	288	206	2000	12,1	20675
4 AMC 3000+Sylomer®	250	136	GREEN	M-20	200	14	210	260	288	206	3000	13,962	20676

Vibrabsorber 4 AMC

DRAWINGS



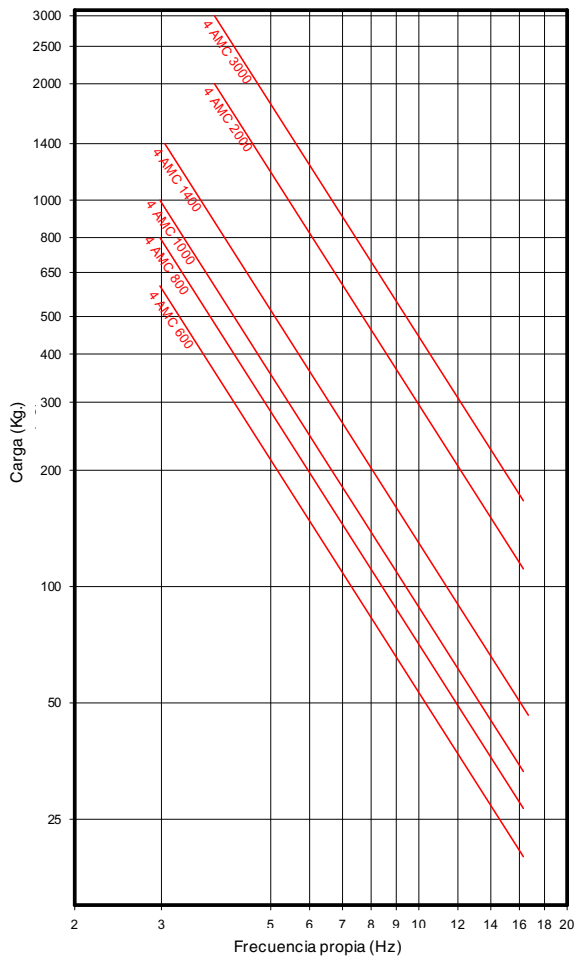
DIMENSIONS

Type	A (mm.)	B (mm.)	Spring color	C (mm.)	D (mm.)	E (mm.)	F (mm.)	Max. Load (kg.)	Weight (kg.)	Code
4 AMC 600	200	124	BLUE	M-16	150	12	170	600	6,412	20601
4 AMC 800	200	124	WHITE	M-16	150	12	170	800	6,572	20611
4 AMC 1000	200	124	BLACK	M-16	150	12	170	1000	6,7	20621
4 AMC 1400	200	124	CREAM	M-16	150	12	170	1400	7,636	20631
4 AMC 2000	250	124	LIGHT GREY	M-20	200	14	210	2000	12,1	20641
4 AMC 3000	250	124	GREEN	M-20	200	14	210	3000	13,962	20651

Vibrabsorber 4 AMC

ELASTICAL PROPERTIES

AMC FRECUENCIAS PROPIAS
MECANOCAUCHO® Tipo 4 AMC



AMC CARGA DEFORMACION
MECANOCAUCHO® Tipo 4 AMC

