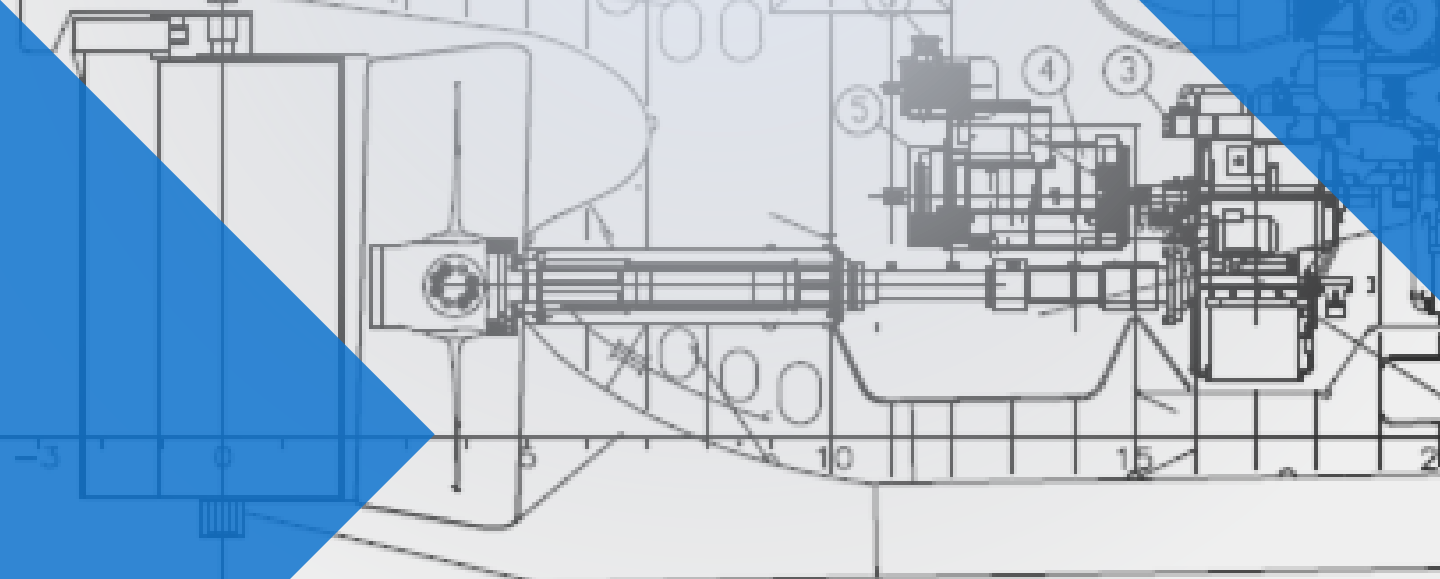




SYLOMER® MARINE FOR
FLOATING CONCRETE SLABS
ON SHIPS



AMC MECANOCAUCHO®



AMC
MECANOCAUCHO

DESCRIPTION OF THE PRODUCT

SYLOMER® MARINE

The Sylomer® Marine product family was especially developed for the elastic decoupling of floor constructions (primary decks covering) on ships and yachts. It is available with fire safety certificate conforming to IMO MED 307(88), FTP Codes 2 and 5 referred to in the SOLAS Convention and with Wheelmark approval.

The long term stability of the properties of Sylomer® have been proved in saltwater and oil conditions, and after 27 years in usage, the material showed almost no creeping and the same performance as originally stated in the data sheet.

APPLICATIONS

- Wheelhouse
- Electronic equipment
- Sleeping Cabins
- Power Distribution Units
- Generators
- HVAC equipment



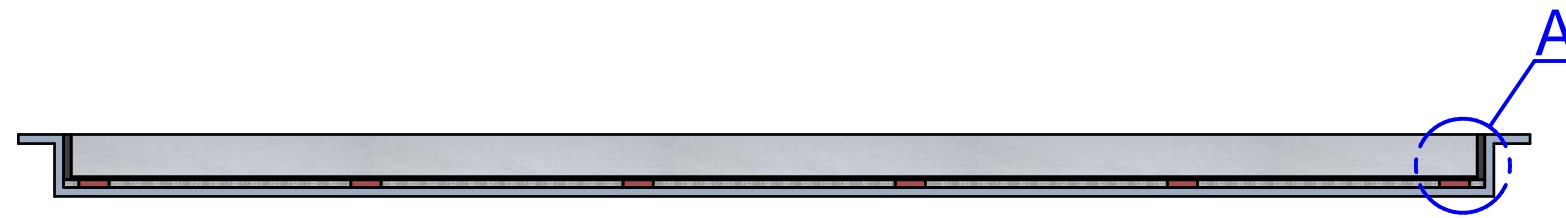
BENEFITS

- Efficient vibration isolation and reduction of secondary air-borne noise.
- Systems with Sylomer® lead to low sound pressure levels (Ln), a high insertion loss (ILv) and high transmission loss (TLv).
- Small difference between static and dynamic stiffness.
- Maintenance free material.
- No dynamic fatigue and no change in material properties over time.

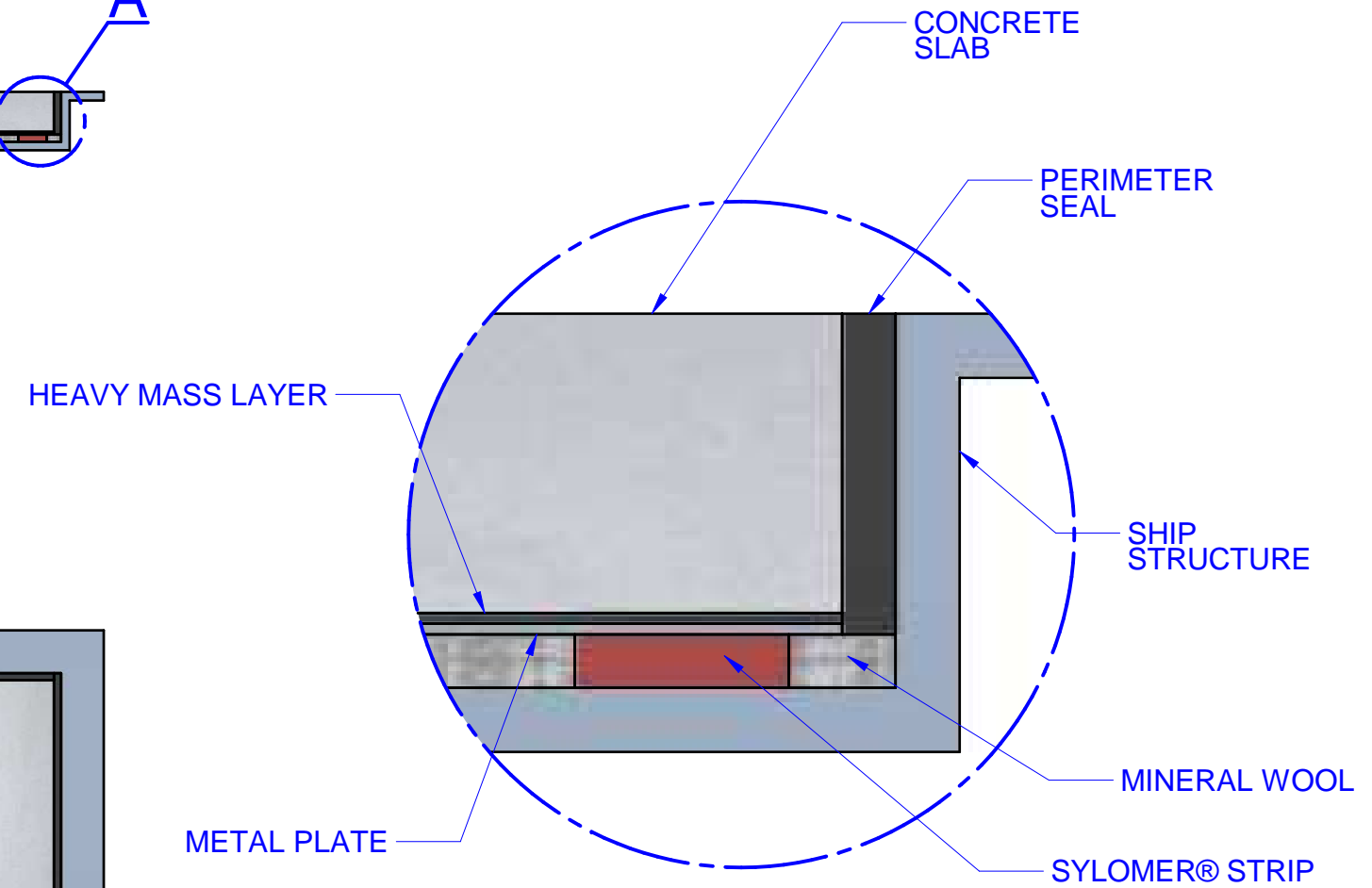


TABLA DE TOLERANCIAS GENERALES PARA PARTES METÁLICAS	MAYOR DE - LARGER THAN (mm)	0,5	3	6	30	120	400	1000
GENERAL TOLERANCES TABLE FOR METAL PARTS	HASTA - UP TO (mm)	3	6	30	120	400	1000	2000
	TOL. (mm)	±0,2	±0,3	±0,5	±0,8	±1,2	±2	±3

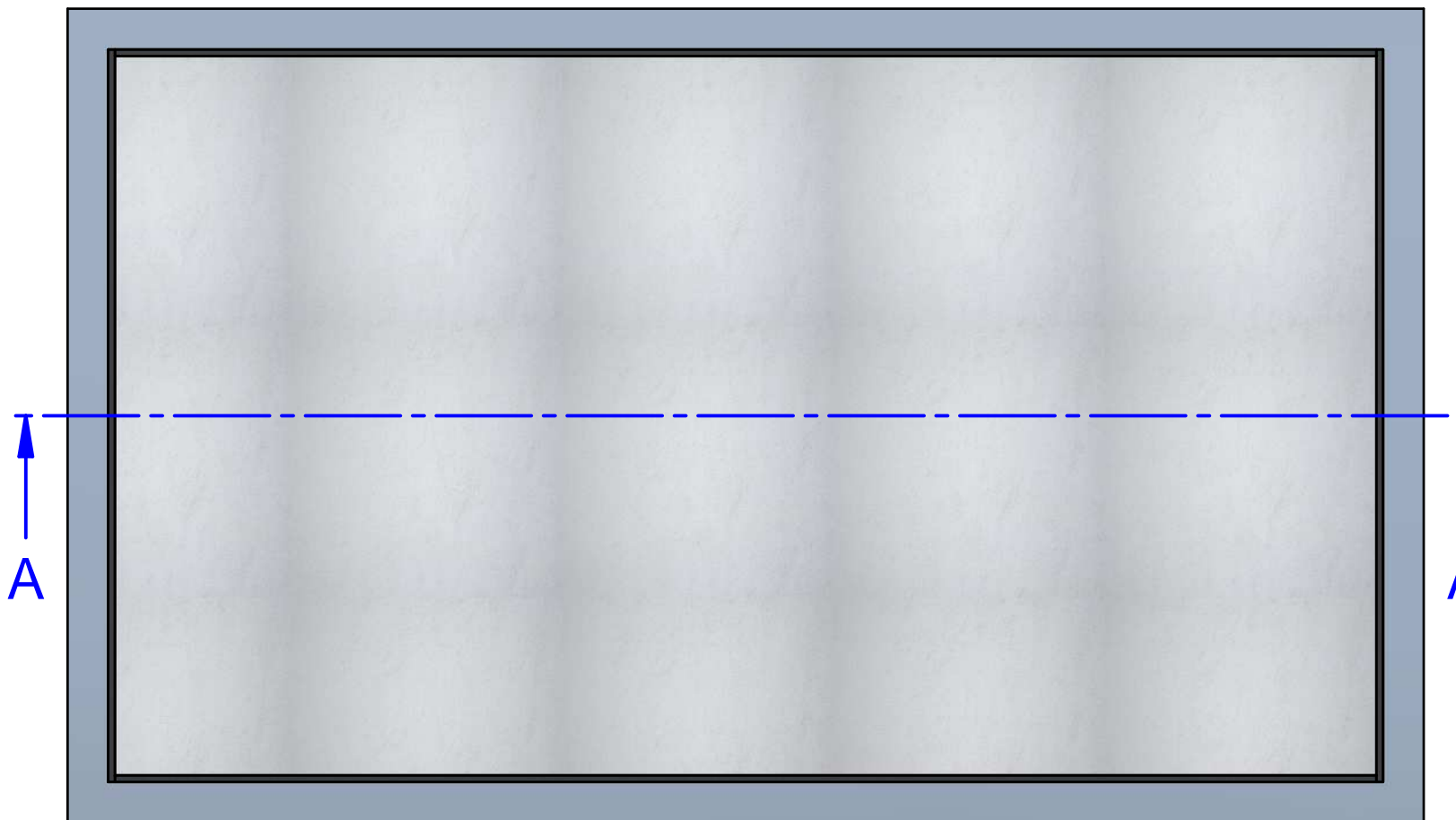
TOLERANCIAS PARA MEDIDAS AFECTADAS POR CAUCHO: ISO 3302 M3
 TOLERANCES FOR RUBBER AFFECTED DIMENSIONS:



SECTION A-A



DETAIL A



ESTE PLANO ES PROPIEDAD DE AMC S.A. TODOS LOS DERECHOS RESERVADOS. NO ESTA PERMITIDA LA REPRODUCCION O COPIA DE ESTE PLANO O PARTE DEL MISMO SIN UNA AUTORIZACION ESCRITA POR PARTE DE AMC S.A.

THIS DRAWING IS PROPERTY OF AMC S.A. ALL RIGHTS RESERVED. ANY COPY OR REPRODUCTION OF THIS DRAWING TOTALLY OR PARTIALLY IS STRICTLY PROHIBITED WITHOUT WRITTEN AUTHORISATION OF AMC S.A.

A3 Peso-Pisua-Weight Escala Eskala Scale **1:25**

Referencia - Erreferentzia - Part Number

-

Denominación Izena Name	INSTALLATION OF CONCRETE SLAB ON SYLOMER® STRIPS ON SHIPS	
Material Materiala Material	-	
	Dibujado - Marraztuta - Drawn	Aprobado - Onartua - Approved
Nombre-Izena-Name	E. RIVERA	I. LOPETEGI
Fecha-Data-Date	23/04/2018	23/04/2018





Aplicaciones Mecánicas del Caucho S.A.
Industrialdea Parc. 35 A. • E-20.159
ASTEASU (Gipuzkoa) Spain
Tel.: + 34 943 69 61 02 • Fax: + 34 943 69 62 19
e-mail: sales@amcsa.es
www.akustik.com
www.mecanocaucho.com