

V-SHAPED GENERATOR MOUNT



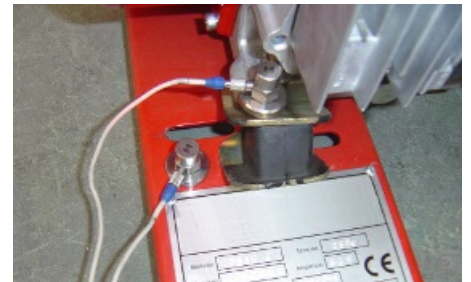
AMC-Mecanocaucho® Vee Shaped Generator mounts are comprised of two symmetrically-inclined metal parts with a stud on each side.

TECHNICAL CHARACTERISTICS

The V-Shaped Generator mounts render it possible to make installations which are more flexible than ones that can normally be made with cylindrical or Bobbin mounts. This makes it possible to achieve lower system frequencies and consequently improved vibration isolation.

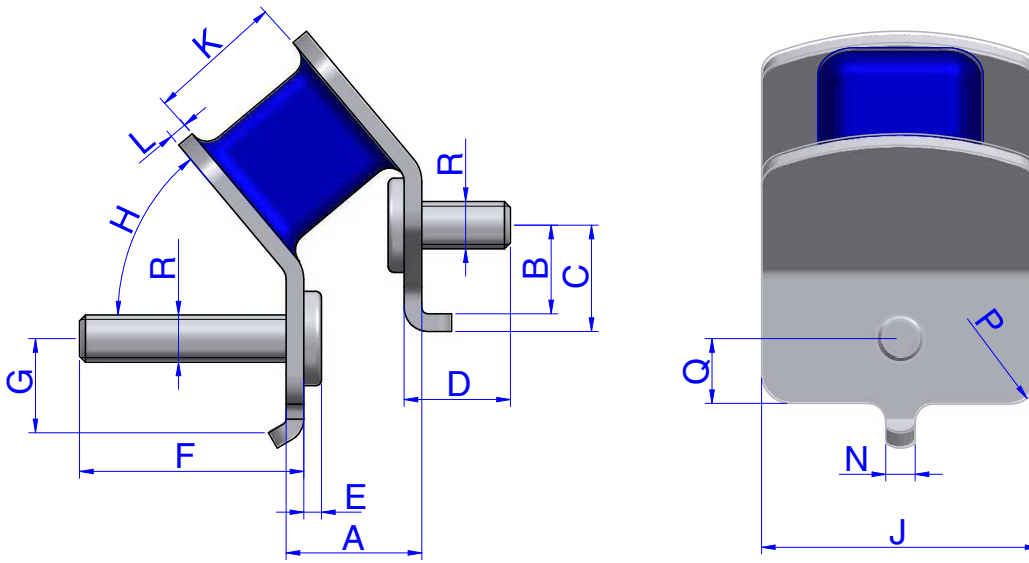
APPLICATIONS

Very light weight engines requiring high levels of isolation: Portable gen sets, compressors, motor pumps ;



V-SHAPED GENERATOR MOUNT

DRAWINGS

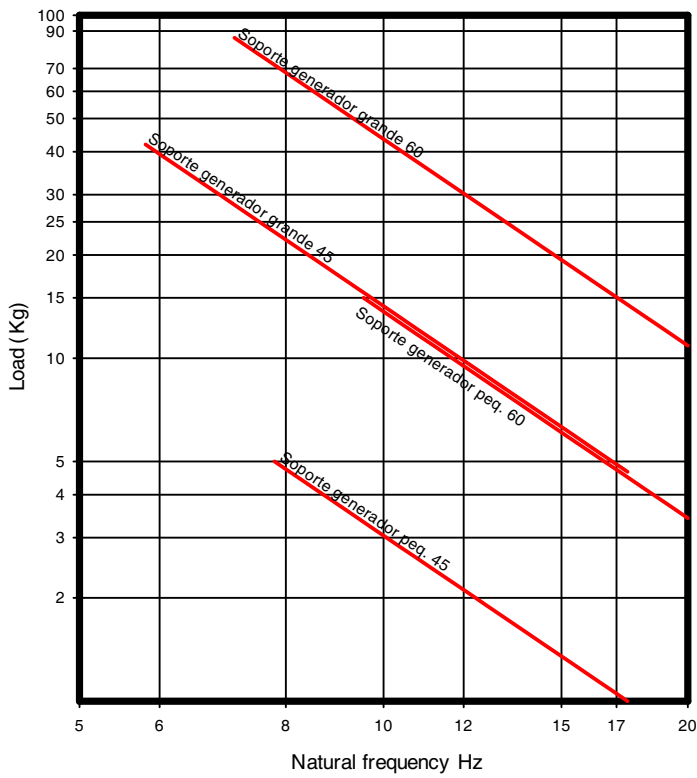


DIMENSIONS

Type	A (mm)	B (mm)	C (mm)	D (mm)	E (mm)	F (mm)	G (mm)	H (°)	J (mm)	K (mm)	L (mm)	N (mm)	P (mm)	Q (mm)	Weight (gr.)	R (mm)	Load (kg)	Shore	Code
Small	23	14,5	18	18	3	38	15,9	50°	47	23	3	5	5	11	150	M8	5	45 Sh	148151
																	15	60 Sh	148153
Large	28	19,5	22	18	3	38	20	50°	54	31	3	7	10	16	205	M8	40	45 Sh	148171
																	90	60 Sh	148173

Elastical properties

NATURAL FREQUENCIES A MC
V-SHAPED GENERATOR MOUNT



LOAD DEFLECTION GRAPHS
V-SHAPED GENERATOR MOUNT

