

FZ SYLOMER® ANTI VIBRATION MOUNTS



The AMC-MECANOCAUCHO® FZ mounts are composed by two metal parts surrounded by a high resiliency Sylomer® poliurethane compound that offers a high isolation capacity with a small static deformation in all MEDIUM-HIGH frequency range. They have also an interlocking metal component that provides a fail-safe protection. The Sylomer® polyurethane compound is oil resistant and the temperature range of the FZ mounts is -30°C +70°C.

TECHNICAL CHARACTERISTICS

- The AMC-MECANOCAUCHO FZ mounts incorporate interlocking metal component that provide a fail-safe protection for mobile applications. This device limits the ascending vertical movement when the mounting is submitted to shocks at traction.
- The thickness of the metal parts are robust and are suitable for off road applications. The metal parts have a suitable anti-corrosive treatment for outdoor applications.
- The Sylomer® polyurethane compound is oil resistant and the temperature range of the FZ mounts is 30 °C +70°C

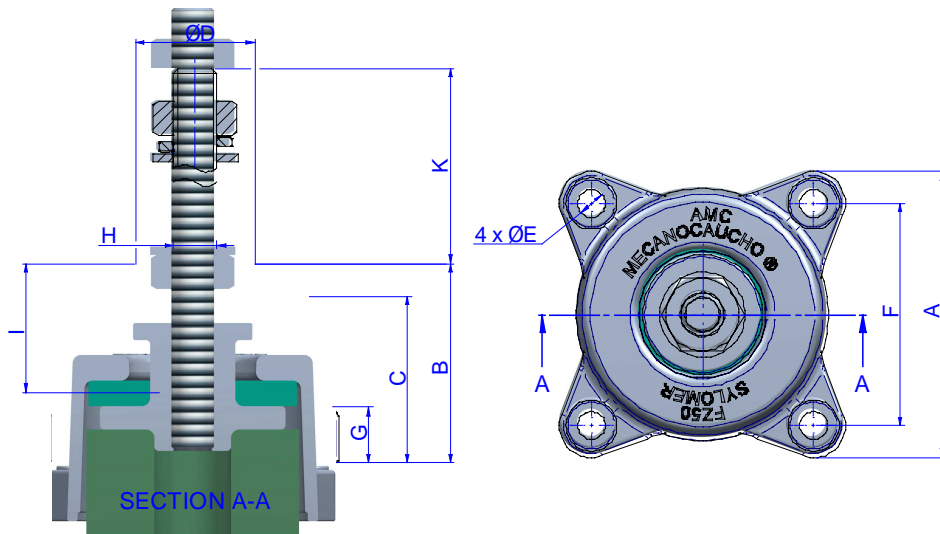
APPLICATIONS

The AMC-MECANOCAUCHO® FZ mounts have been primarily designed for mobile applications.

They are often used for the isolation of sensitive equipment embarqued on vehicles submitted to shocks



DRAWINGS

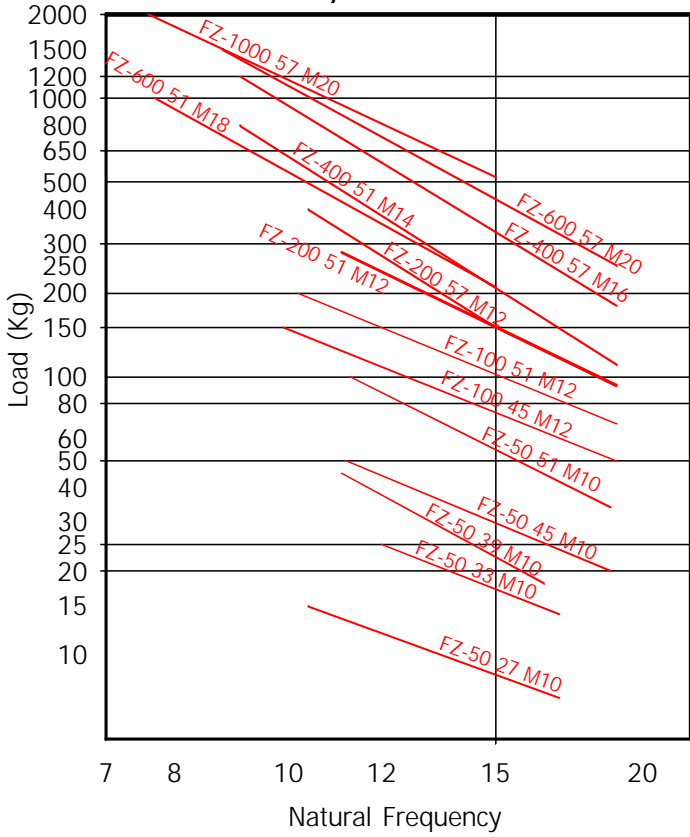


DIMENSIONS

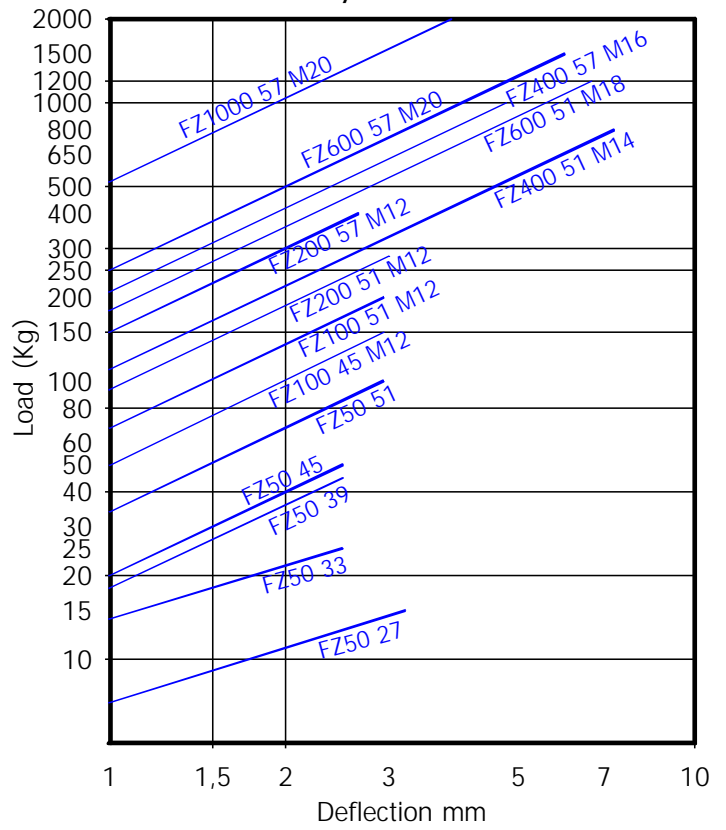
Type	D (mm)	A (mm)	B (mm)	C (mm)	E (mm)	F (mm)	G (mm)	H (mm)	I (mm)	K (mm)	Load (kg)	Weight (gr.)	Code
FZ-50-27-M10 + LEV KIT	28	67	46.5	39	6.5	52	13	10	26	60	15	311	176293
FZ-50-33-M10 + LEV KIT	28	67	46.5	39	6.5	52	13	10	26	60	25	311	176295
FZ-50-39-M10 + LEV KIT	28	67	46.5	39	6.5	52	13	10	26	60	45	311	176297
FZ-50-45-M10 + LEV KIT	28	67	46.5	39	6.5	52	13	10	26	60	50	311	176281
FZ-50-51-M10 + LEV KIT	28	67	46.5	39	6.5	52	13	10	26	60	50-100	311	176291
FZ-100-45-M12 + LEV KIT	25	80	56	48	6.5	67	13	12	27,5	60	100-150	464	176299
FZ-100-51-M12 + LEV KIT	25	80	56	48	6,5	67	13	12	27,5	60	150-200	464	176301
FZ-200-51-M12 + LEV KIT	40	109	72	55	8,5	90	15	12	27,5	60	170-280	978	176311
FZ-200-57-M12 + LEV KIT	40	109	72	55	8,5	90	15	12	27,5	60	280-400	978	176321
FZ-200-57-M14 + LEV KIT	40	109	72	55	8,5	90	15	14	27,5	60	280-400	978	176323
FZ-400-51-M14 + LEV KIT	65	155	94	80	12,5	125	22	14	27,5	60	460-800	2461	176331
FZ-400-57-M16 + LEV KIT	65	155	94	80	12,5	125	22	16	27,5	60	800-1000	2461	176341
FZ-600-51-M18 + LEV KIT	65	175	94	80	14	140	23	18	28	60	1000-1200	3077	176351
FZ-600-57-M20 + LEV KIT	65	175	94	80	14	140	23	20	28	60	1200-1500	3077	176361
FZ-1000-57-M20 + LEV KIT	65	205	95	80	16	162	28	20	28	60	1500-2000	3751	176371

Elastical properties

DYNAMIC CURVES
FZ + Sylomer® Mounts



LOAD DEFLECTION CURVE
FZ + Sylomer® Mounts



Rubber Metal anti vibration mounts

FZ SYLOMER® ANTI VIBRATION MOUNTS