

# NP VIBRATION ISOLATORS



The AMC-MECANOCAUCHO® NP vibration isolators are composed of a metallic flange and a bush that are bonded to a high resilient rubber compound.

The AMC-MECANOCAUCHO® NP vibration isolators can be fitted with overload/rebound washers. This allows fail-safe installations. For this purpose we recommend using washer Ref. AMC: 608074 that has the following dimensions :76x16.5x5mm.

The flange comes with four fixing holes and the inner bush allows upto 120 N/mm tightening torque.

## TECHNICAL CHARACTERISTICS

AMC-MECANOCAUCHO® NP vibration isolators can be applied in mobile applications when installed with overload/rebound washers.

AMC-MECANOCAUCHO® NP vibration isolators are available in several rubber hardnesses to suit the p g q load range of the application.

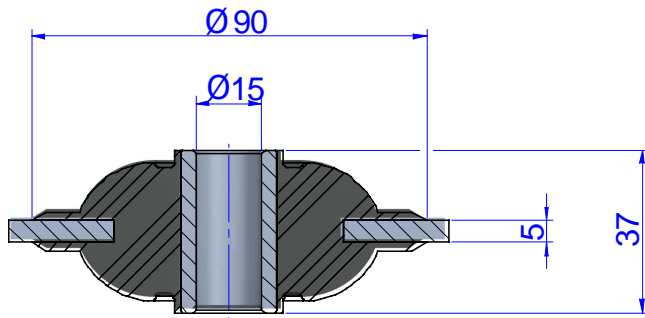
## APPLICATIONS

AMC-MECANOCAUCHO® NP vibration isolators are used for the effective noise and vibration isolation in the following applications:

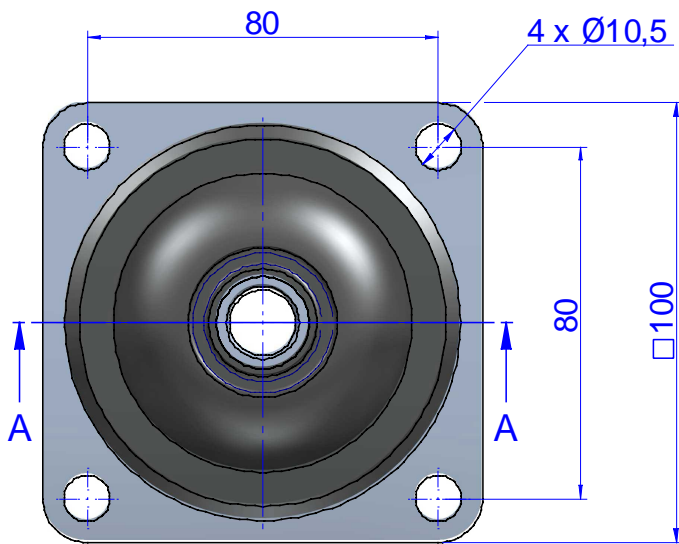
- Agricultural equipment
- Construction equipment machinery
- Cranes
- Forklift trucks
- Multipurpose vehicles



## DRAWINGS



SECTION A-A

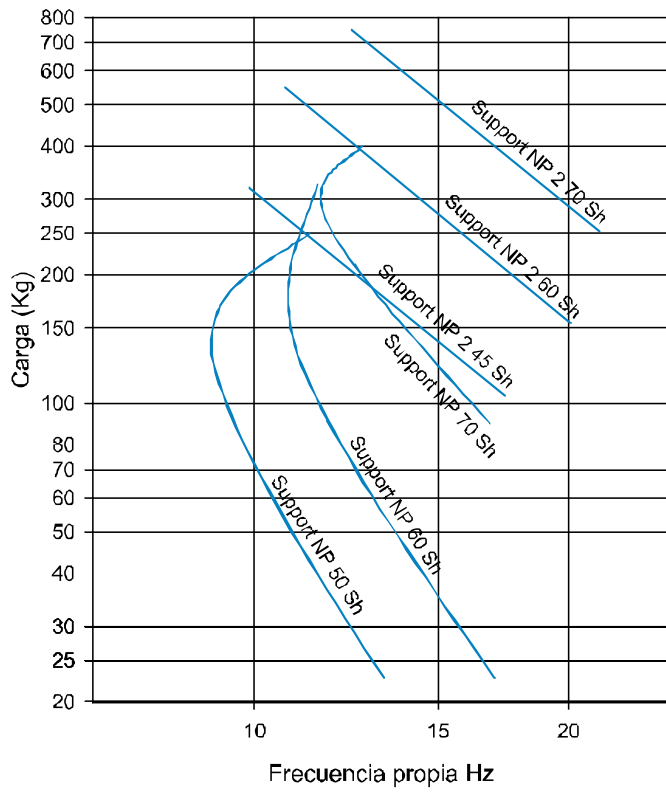


## DIMENSIONS

Type	Tightening torque MAX (Nm)	Shore	Max. Load (lbs)	Code
NP1	88	50Sh	250	138202
		60Sh	325	138201
		70Sh	400	138203
NP2	125	45Sh	320	138205
		60Sh	550	138206
		70Sh	750	138207

Elastical properties

**Natural Frequency**  
MECANOCAUCHO® Type NP & NP2



**LOAD DEFLECTION CURVE**  
MECANOCAUCHO® Type NP & NP2

