

HYDRAULIC CONE MOUNTS WASHER



The AMC-MECANOCAUCHO HYDRAULIC CONE MOUNT is a combination of a spring component and a hydraulic shock absorber in the shape of a cone. With this both components can be tuned to each other. For good vibration insulation you need a low dampening coefficient but for movement control you need a high dampening coefficient. The AMC MECANOCAUCHO HYDRAULIC CONE MOUNTS combine these two completely different requirements in one single bearing.

This gives you the opportunity to adapt the dynamic properties of the insulator to the individual requirements of the application.

TECHNICAL CHARACTERISTICS

AMC MECANOCAUCHO® hydraulic shock absorbers have an advanced breakaway device inside the bearing that prevents tensile forces on the elastomer by limiting its upward vibration stroke. The newly-developed internal structure of the vibration dampener consists of a metal part system. The elastomer is vulcanised to the whole of this. This prevents a loss of hydraulic fluid should the vibration dampener be subject to great dynamic overloads.

The thickness of the metal parts ensures that the dampener is strong enough for mobile applications. The metal parts are treated with a resistant corrosion protection for outdoor use.

APPLICATIONS

The AMC-MECANOCAUCHO HYDRAULIC CONE MOUNT is predominantly designed to insulate the vibration in engines and cabs in off-road vehicles (construction, agricultural and local authority vehicles). The HYDRAULIC CONE MOUNT has the necessary resilience to achieve a high level of decoupling. However, it also has the necessary stability for these applications in the event of impacts which thus prevents the vehicles from rocking. This ensures a high level of comfort as well as an immediate working and driving experience.

Another advantage becomes apparent with variable speed applications which are within the resonance frequency range in normal operation. This resonance is significantly reduced with the HYDRAULIC CONE MOUNT.

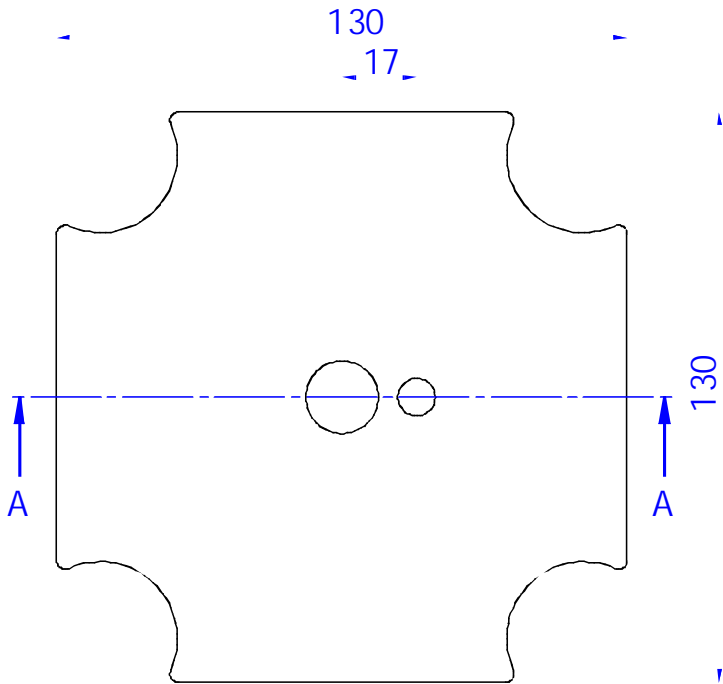
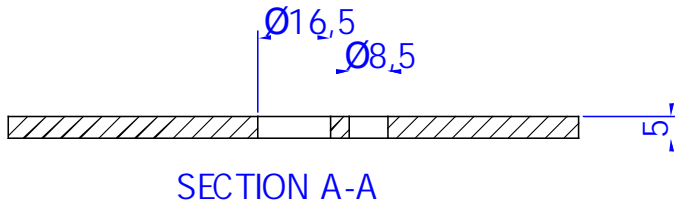


DIMENSIONS

Type	Weight (gr.)	Øext (mm)	Øint (mm)	THICKNESS (mm)	Code
HYDRAULIC CONE MOUNTS 31	187	80	16,5	5	606488
HYDRAULIC CONE MOUNTS 32	175	96	16,5	5	610147
HYDRAULIC CONE MOUNTS 70	356	110	16,5	5	610296
HYDRAULIC CONE MOUNTS 71	356	110	16,5	5	610296

HYDRAULIC CONE MOUNTS WASHER

DRAWINGS



DIMENSIONS

Type	Weight (gr.)	Øext (mm)	Øint (mm)	THICKNESS (mm)	Code
HYDRAULIC CONE MOUNTS 72	547	-	16,5	5	610305

ADVANTAGES



High isolation without being affected the stability due the damping system of the hydraulic component.

Our vibration dampeners do this by the hydraulic fluid flowing from one chamber to the next as a result of the movement of the rubber component. An energy loss results from this process which tones down the behaviour of the vibration component.