

AMC-MECANOCAUCHO TYPE FZM WIRE MOUNT

The AMC-MECANOCAUCHO® type FZM mounts are ideal for mobile applications where high temperatures upto 300° C are present.



Its specific design allows very similar traction and compression stiffness rates. This feature is particularly useful on those applications where vibration in the vertical sense is predominant. The metal parts are robust and incorporate a fail-safe device in order to resist traction forces.

TECHNICAL CHARACTERISTICS

The cast aluminum bell has been designed to withstand to great dynamic shocks while the stainless steel wire fits tight to avoid relative displacements.

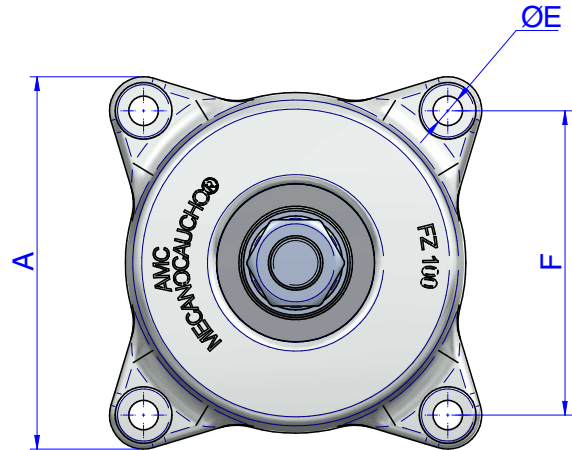
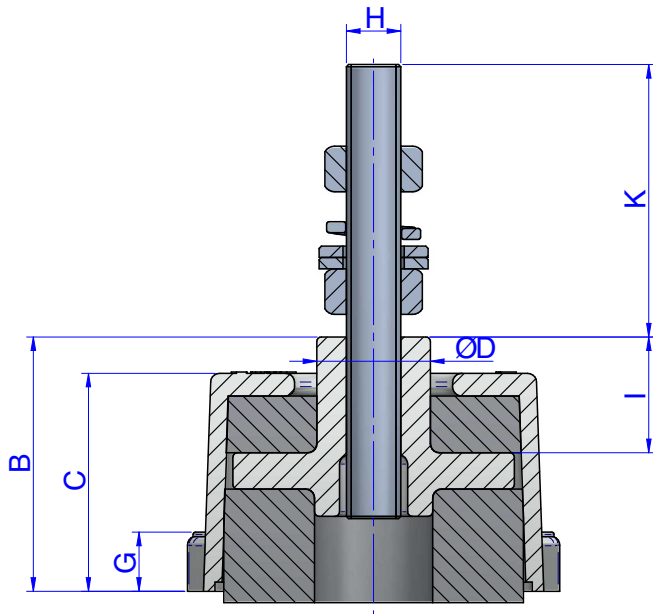
The stainless steel wire mesh and the aluminum top cap provide a higher resistance to marine corrosive environments, improving the performance of traditional marine antivibration mounts. The failsafe device limits the vertical ascendant movement. The damping properties of the stainless steel wire mesh allows low amplification to resonance allowing stable suspended elements.

APPLICATIONS

The AMC-MECANOCAUCHO® type FZM metallic mount is used for applications exposed to high temperatures or mobile applications , for example mounting on board equipment in ships, rail, road transport such as engines, pumps, generator sets or pipe work or exhaust.



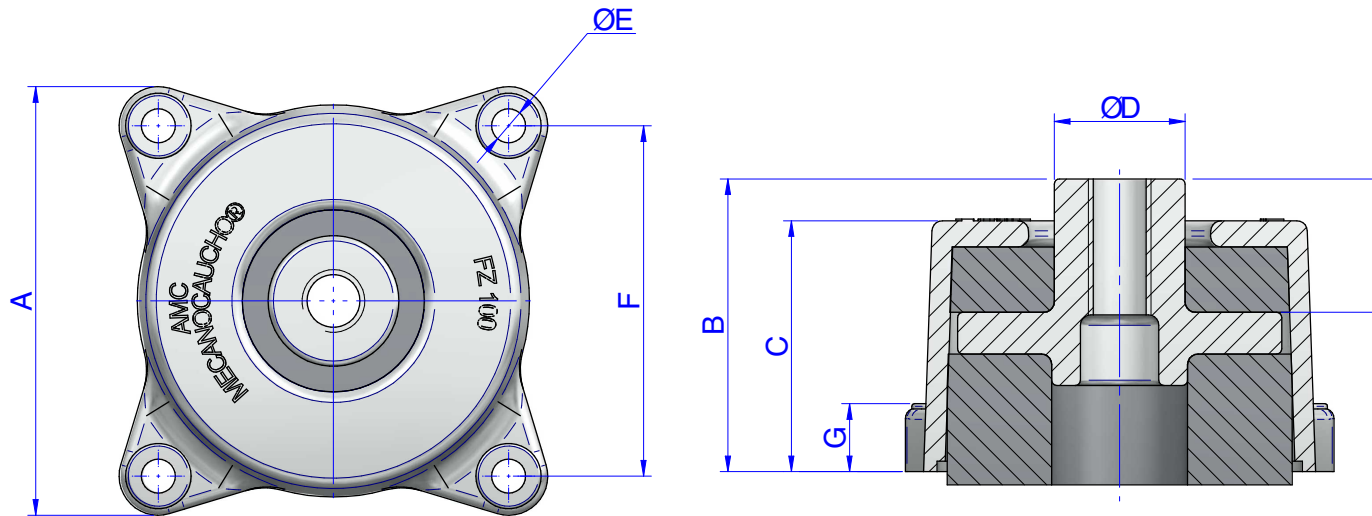
DRAWINGS



DIMENSIONS

Type	Load (kg)	Weight (gr.)	Code
FZM 100-015 + KIT M12	120	842	176622
FZM 100-023 + KIT M12	180	842	176628
FZM 100-028 + KIT M12	250	842	176634

DRAWINGS

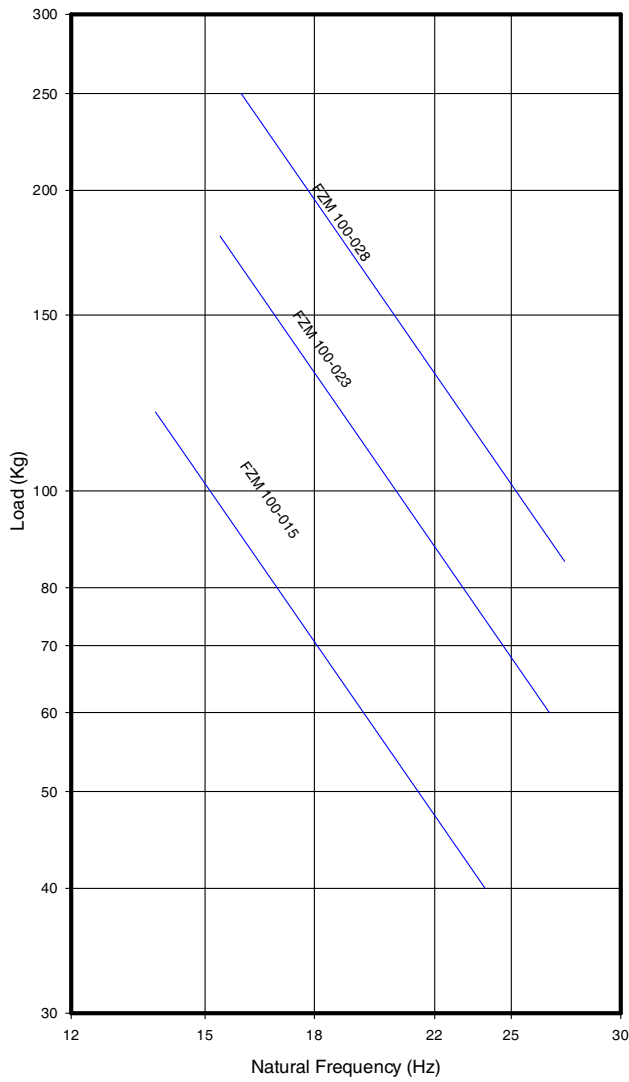


DIMENSIONS

Type	Load (kg)	Weight (gr)	Code
FZM 100-015	120	761	176621
FZM 100-023	180	761	176627
FZM 100-028	250	761	176633

Elastical properties

AMC NATURAL FREQUENCIES
MECANOCAUCHO® FZM



AMC LOAD DEFLECTION GRAPHS
MECANOCAUCHO® FZM

