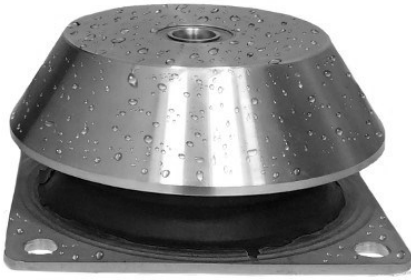


BRBX VIBRATION ISOLATORS



AMC Mecanocaucho® BRBX Captive vibration isolators are anti vibration elements which work the rubber in shear and compression. Their high profile rubber sections produce larger deflections, low natural frequencies. This range of mounts is suitable for applications where vibration isolation is a priority.

AMC Mecanocaucho® BRBX Captive mount is especially recommended for applications where vibration isolation is necessary, such as isolation of rotating or mobile machines that are continuously subjected to shocks, dripping oil or diesel or are exposed to the elements.

TECHNICAL CHARACTERISTICS

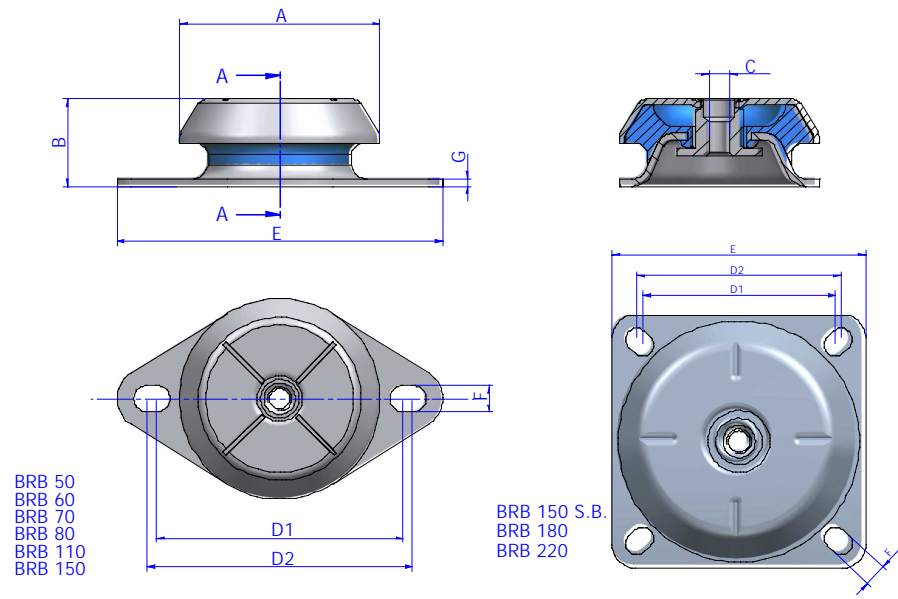
- The top metal hood protects the rubber from the Ozone, UV rays, diesel or oils which damage the rubber.
- These antivibration mounts are made of stainless steel, a material that provides high corrosion resistance to chemical reagents (especially sulphuric acid) and marine atmosphere. It is a very common material in the food, paper and construction industries.
- They have an interlocking metal component that provides a fail-safe protection for mobile applications. This device limits vertical movement when the mounting is submitted to shock inputs.
- The mounts are clearly identified, as the baseplates are engraved with the type and hardness, which makes it possible to easily recognise the part even after several years of use.
- The top cap has a cross shaped indentation which enhances rigidity on mobile applications and also permits oils or liquids to flow off the mounting.

APPLICATIONS

This vibration isolator is suitable for the isolation of mobile rotating machines which are exposed to axial and radial shocks, dripping oil, diesel or exposure to the weather. It is particularly interesting for applications where a high level of vibration isolation is required.



DRAWINGS

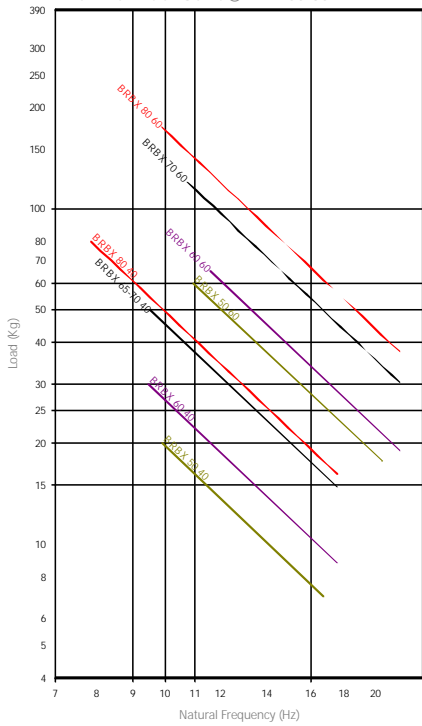


DIMENSIONS

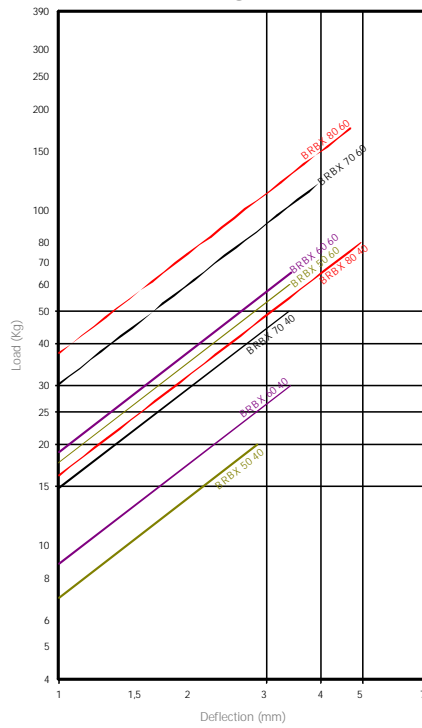
Type	Tightening torque MAX (Nm)	A (in)	B (in)	C (in)	E (in)	F (in)	G (in)	Weight (lbs.)	D1 (Min.)	D2 (Max.)	Shore	Load (lbs)	Code
BRBX 50	16	50	25	M-8	85	6,5	2	117	61	70	40Sh	20	135969
											60Sh	60	135973
BRBX 60	32	64	35	M-10	110	9	2,5	225	76,5	90,5	40Sh	30	135687
											60Sh	65	135914
BRBX 70	55	64	35	M-12	120	11	3	253	100	100	40Sh	50	135935
											60Sh	120	135936
BRBX 80	55	83	35	M-12	135	11	3	398	108	112	40Sh	80	135956
											60Sh	175	135949
BRBX 110	55	106	41	M-12	175	13	3	857	137	149	40Sh	200	135735
											60Sh	420	135736
BRBX 150	125	156	53,5	M-16	218	14,5	4	1840	176	188	40Sh	450	135975
											60Sh	800	135984
BRBX 150 S.B.	125	156	53,5	M-16	164	14,5	4	2030	125	132	40Sh	450	135993
											60Sh	800	135994
BRBX 180	190	186	84	M-20	181	14	5	3800	146	150	40Sh	875	135396
											60Sh	1700	135466
BRBX 220	285	230	105	M-24	220	19	6	6716	180	180	40Sh	1600	135461
											60Sh	3400	135463

Elastical properties

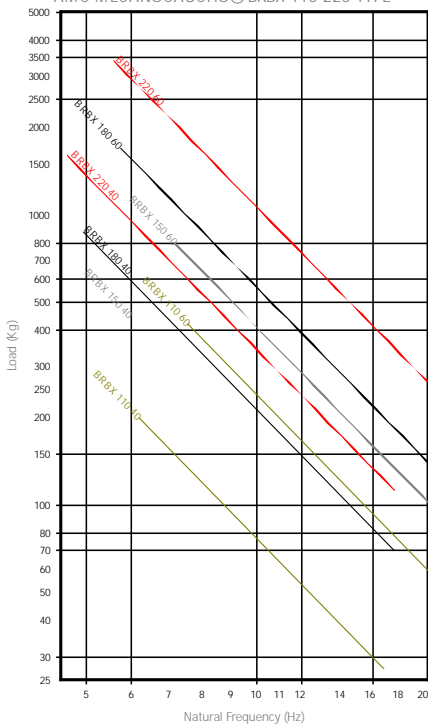
NATURAL FREQUENCY
AMC MECANOCAUCHO® BRBX 50-80 TYPE



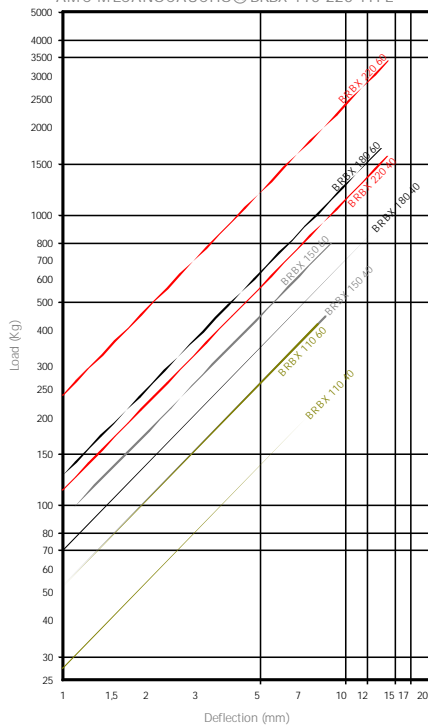
LOAD DEFLECTION GRAPH
AMC MECANOCAUCHO® BRBX 50-80 TYPE



NATURAL FREQUENCY
AMC MECANOCAUCHO® BRBX 110-220 TYPE



LOAD DEFLECTION GRAPH
AMC MECANOCAUCHO® BRBX 110-220 TYPE



OPERATION AND ASSEMBLY



RECOMMENDATIONS FOR HOOD MOUNTS

The hood mounts should be installed between two parallel and perfectly flat surfaces. Mounts operating tilted or twisted do not work properly. This may be due to incorrect alignment, tolerances in the building of the chassis or over-tightened torque during the installation of the Antivibration mounts.

This applies to our marine-type, BSB, BRBX or Mecanodamp mounts.

