

AN ANTI VIBRATION MOUNTS



The AMC-MECANOCAUCHO® anti vibration mounts type AN-60 have a specific design that allows suspensions with tunable traction indexes and compression rigidity. This feature is particularly useful in those applications where the vibration and transient forces come mainly in axial direction. The metal parts are robust and are designed with a specific groove that allows the supplementary AN-60 to be stacked.

The metal parts that make up this support are treated with Zinck Nickel coating. This characteristic allows them to have a high protection against the agents present in the exterior, such as the saline mist.

TECHNICAL CHARACTERISTICS

AMC-MECANOCAUCHO® type AN-60 anti vibration mounts are ideal for axial loads of compression or traction.

Depending on the number of AN-60 anti vibration mounts stacked, the rigidity of the system can be adjusted to suit the requirements of the application.

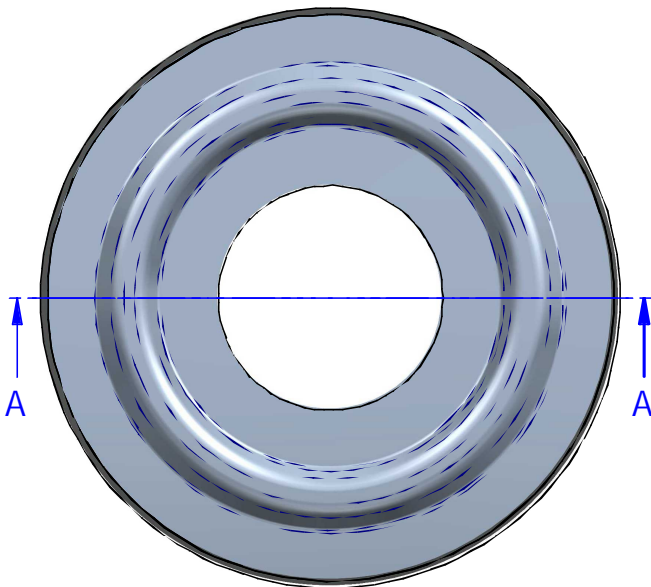
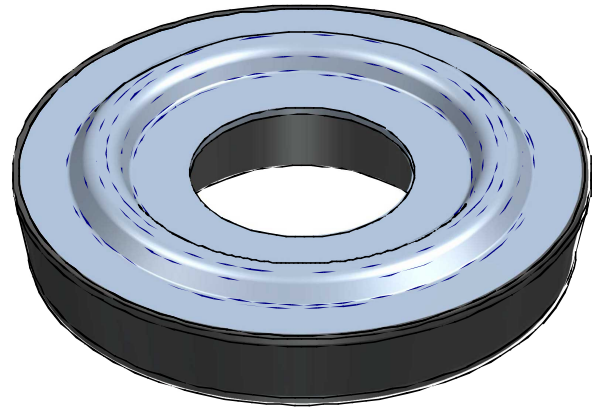
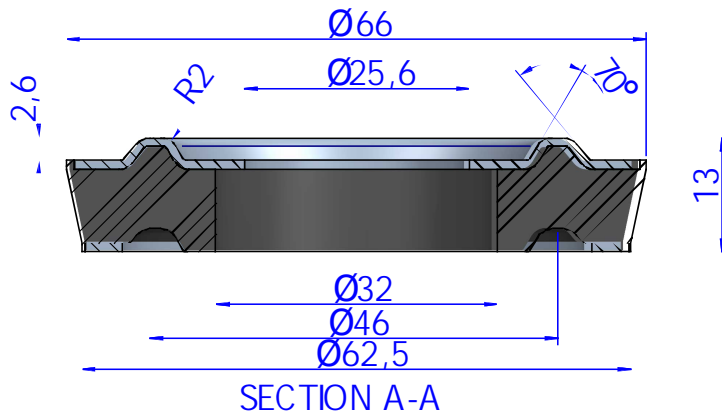
APPLICATIONS

AMC-MECANOCAUCHO® type AN-60 anti vibration mounts can be used from the suspension of vibratory equipment to Tune mass dampers or mobile applications that are exposed to compression and traction forces:

- The assembly on board of equipment on ships
- Railroads
- Road Transport
- Engines
- Pumps
- Generating sets



DRAWINGS

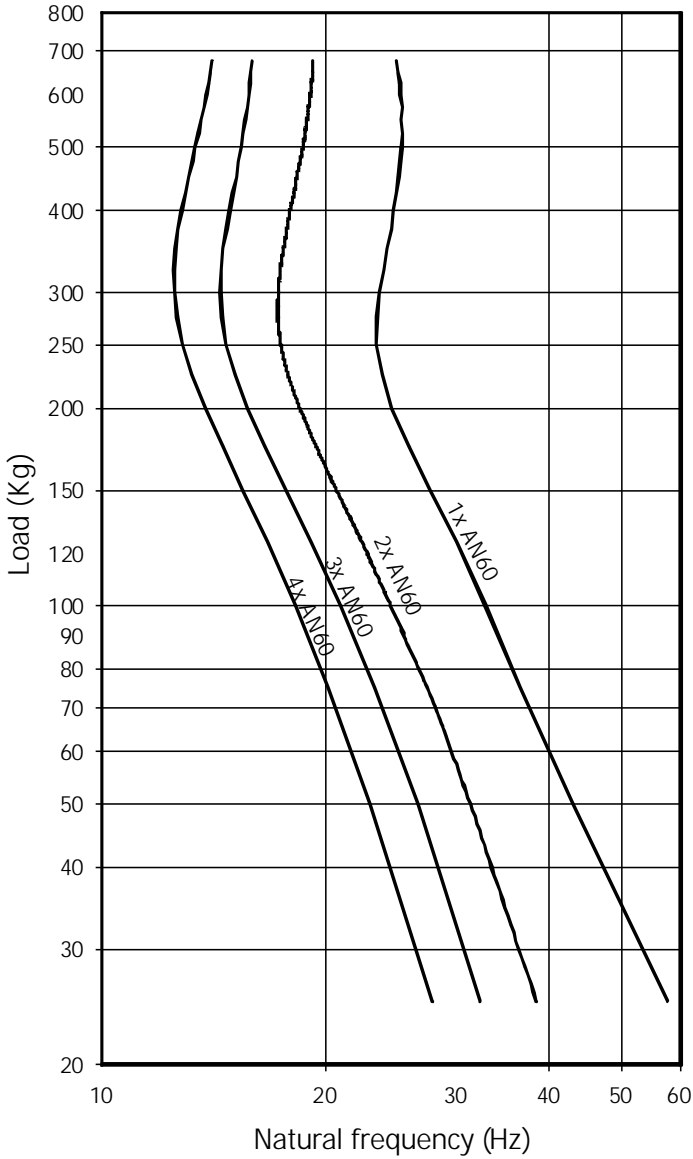


DIMENSIONS

Type	Shore	DEFLECTION mm	Weight (kg)	Max. Load (kg)	Code
AN-60	60Sh	1,8	0,05	700	180239

Elastical properties

NATURAL FREQUENCY CURVES AN 60 SUPPORT



LOAD DEFLECTION CURVES AN 60 SUPPORT

