

SANDWICH ANTI VIBRATION MOUNTS



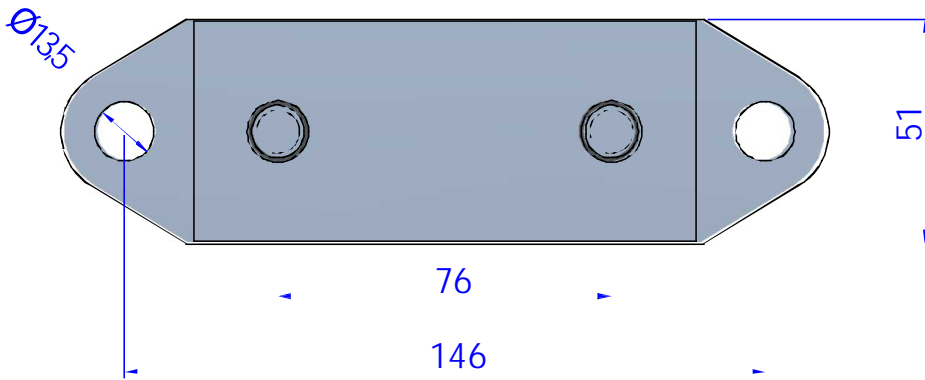
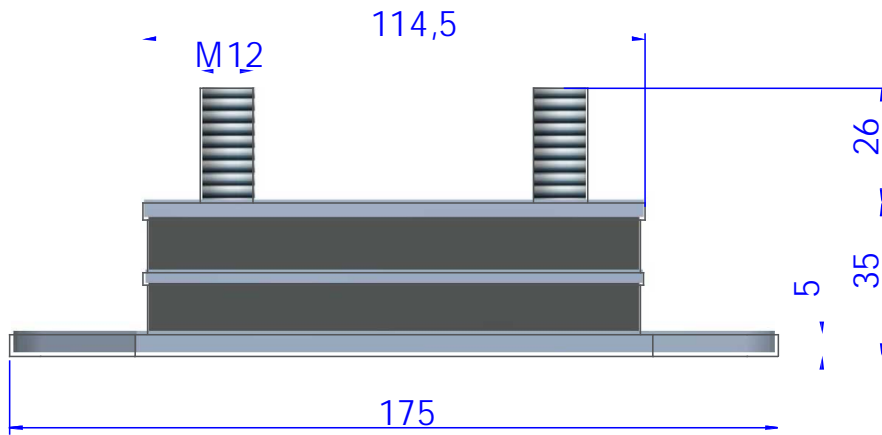
The AMC-MECANOCAUCHO® type Sandwich anti vibration mounts are ideal for static or mobile applications for loads ranging from 50 to 1500kg.

The Support Sandwich anti vibration mounts consists of three metal plates joined by two rubber blocks.

This is particularly interesting for mobile applications where the vertical movement has to be controlled.



DRAWINGS



DIMENSIONS

Type	Shore	Weight (kg)	Max. Load (kg)	Code
Sandwich-175x51x35	45Sh	0,775	500	148189
	60Sh	0,775	1000	148190
	70Sh	0,775	1500	148191