

# HYDRAULIC MOUNT



AMC-MECANOCAUCHO® hydro mounts combine a spring and a hydraulic damper in a single compact unit that allows tuning of the spring and damper independently.

This provides flexibility in matching the dynamic characteristics of the isolator to the requirements of the application . The internal design of the mount is a new system that bonds the metal parts to the rubber effectively to eliminate leakage of the damping fluid when the mount is subjected to high magnitude shock inputs. For good isolation , low damping is required . For motion control high damping is required .

## TECHNICAL CHARACTERISTICS

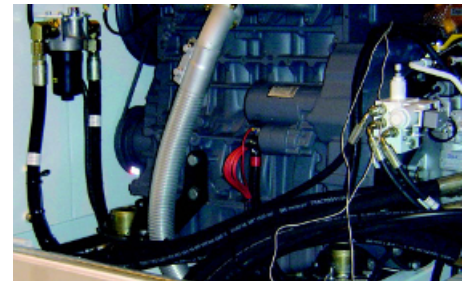
- The AMC-MECANOCAUCHO® Hydraulic mounts have an interlocking metal component that provides fail-safe protection for mobile applications. This device limits excessive vertical movement when the mountings are subjected to shocks inputs.
- The metal parts are suitably thick and robust to withstand Off Road vehicle application shock inputs and also have an outdoor anti-corrosive treatment fully compliant with RoHS

## APPLICATIONS

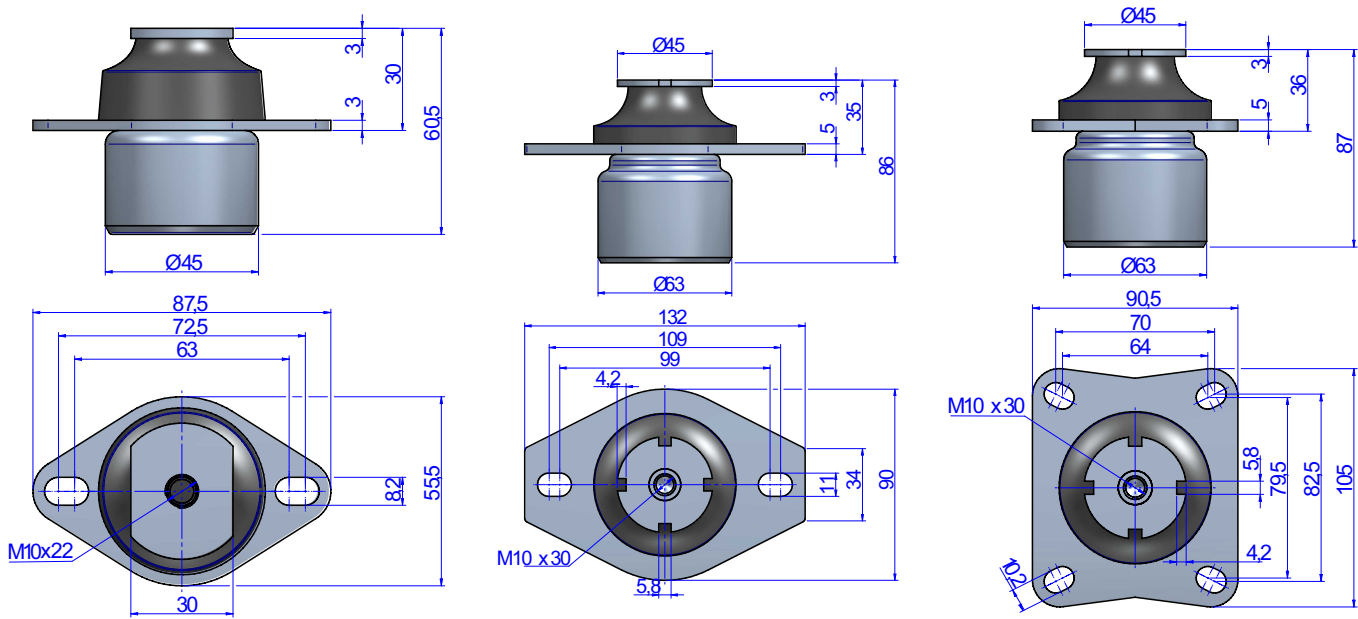
The AMC-MECANOCAUCHO® Hydraulic mounts have been primarily designed as engine and operator cab isolator mounts in vehicular off highway and agricultural applications.

It is particularly interesting for those engines that operate on a variable rotating speed that must regularly pass the natural frequency of the system during its normal running. Examples of this may be engines of 1,2,3 or 4 cylinders used on construction or agricultural equipment.

It is also interesting for cabins where vibration isolation is for operator comfort purposes but also can provide stability when the cabin is submitted to transient shocks.



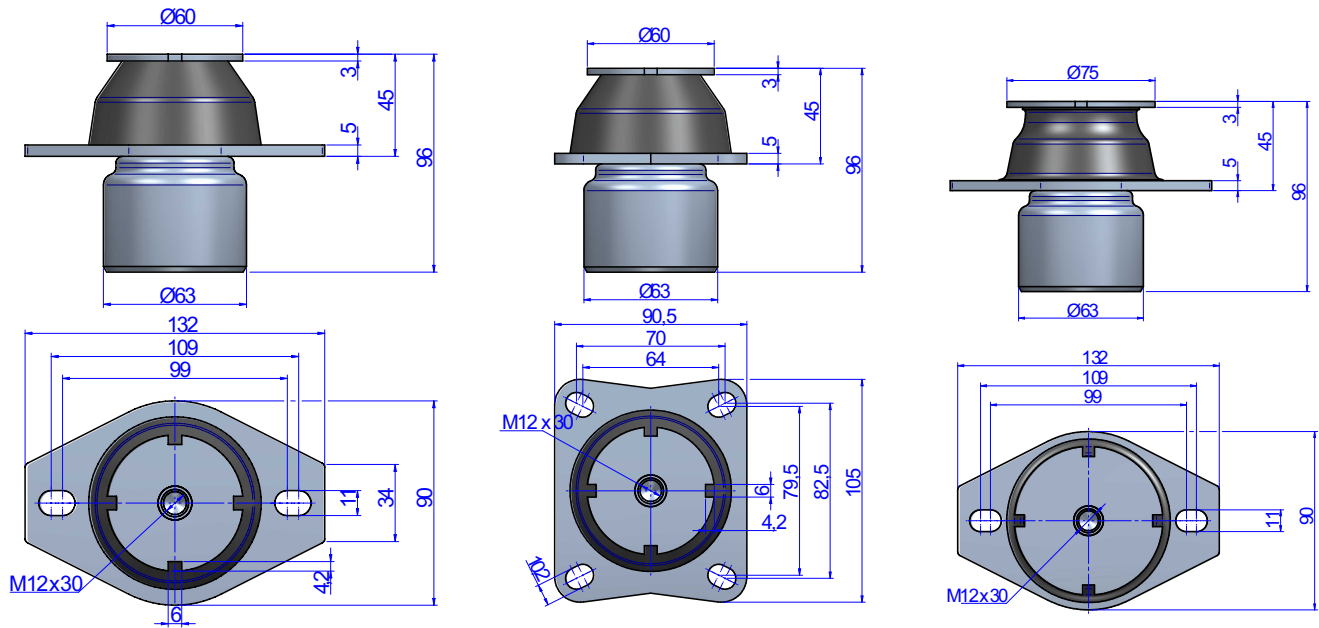
DRAWINGS



DIMENSIONS

Type	Tightening torque MAX (Nm)	Weight (g)	Shore	Max. Load (kg)	Code
MINI	41	335	40 Sh	20	177031
			50 Sh	30	177032
			60 Sh	50	177033
			70 Sh	70	177034
SMALL	41	917	40 Sh	60	177001
			50 Sh	100	177002
			60 Sh	145	177003
			70 Sh	180	177013
SMALL RECT.	41	938	40 Sh	60	177015
			50 Sh	100	177016
			60 Sh	145	177017
			70 Sh	180	177018

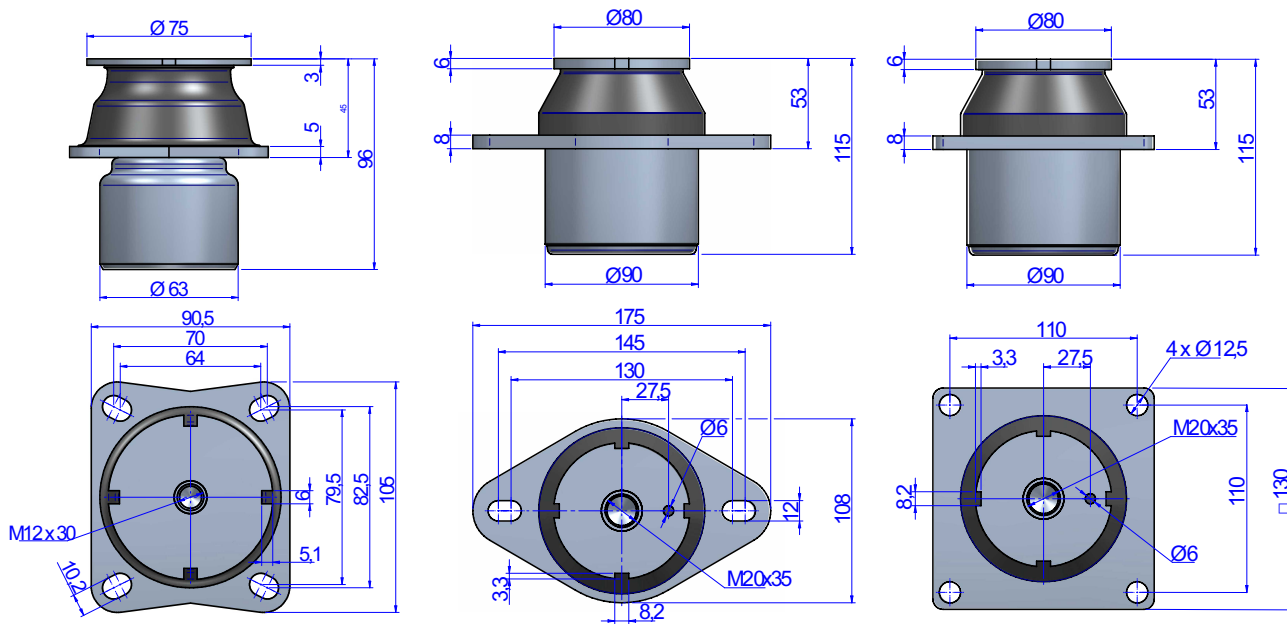
## DRAWINGS



## DIMENSIONS

Type	Tightening torque MAX (Nm)	Weight (gf)	Shore	Max. Load (kg)	Code
MEDIUM	71	1030	40 Sh	100	177004
			50 Sh	150	177005
			60 Sh	200	177006
			70 Sh	250	177011
MEDIUM RECT.	71	1050	40 Sh	100	177022
			50 Sh	150	177021
			60 Sh	200	177023
			70 Sh	250	177024
MEDIUM HS 2	71	1030	40 Sh	125	177045
			50 Sh	180	177046
			60 Sh	250	177047
			70 Sh	300	177048

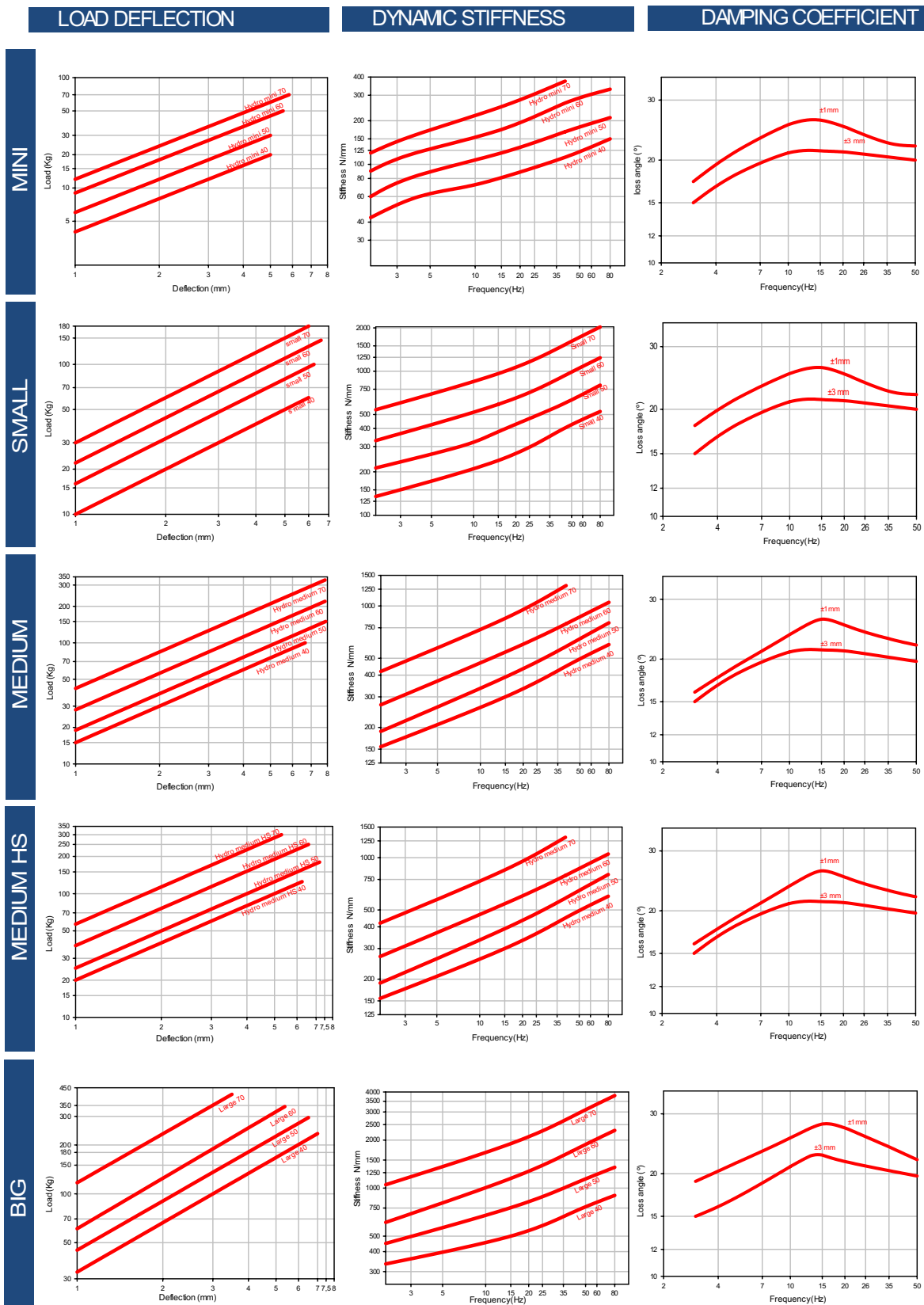
DRAWINGS



DIMENSIONS

Type	Tightening torque MAX (Nm)	Weight (gr)	Shore	Max. Load (kg)	Code
MEDIUM HS 4	71	1050	40 Sh	125	177035
			50 Sh	180	177036
			60 Sh	250	177037
			70 Sh	300	177038
LARGE	350	2445	40 Sh	235	177007
			50 Sh	295	177008
			60 Sh	345	177009
			70 Sh	410	177014
LARGE RECT.	350	2713	40 Sh	235	177041
			50 Sh	295	177042
			60 Sh	345	177043
			70 Sh	410	177044

Elastical properties



### OPERATION AND ASSEMBLY



A hook wrench should be used in the slots to avoid the rotation movement of the rubber.

### ADVANTAGES



AMC Hydraulic Mounts accommodate these requirements as the fluid cavity is divided into two chambers with a specific orifice between them so that motion of the elastomeric element causes fluid to flow from one chamber to the other thus dissipating energy and creating damping in the system. These mounts are particularly suitable for installations requiring good vibration isolation but still require motion control under transient shock inputs, or when operating close to the isolation systems resonant frequency.

For good isolation, low damping is required. For motion control, high dampening is required. The Mecanocaucho® hydraulic mounts accommodate these conflicting requirements. The fluid cavity is divided into two chambers with an orifice in between, so that ...