

Anti vibration
mounts


AKUSTIK 3

AMC
MECANOCAUCHO
NOISE AND
VIBRATION
SOLUTIONS



Range designed for suspension of suspended acoustic ceilings and machinery operating at more than 1.000 r.p.m. The same vibration damping element which is used throughout the Akustik range is made of rubber of high mechanical performance; it is specially designed for vibration damping. The metallic structure is designed to resist loads up to 650 kg. It is supplied with an anti-corrosive zinc-plated coat.



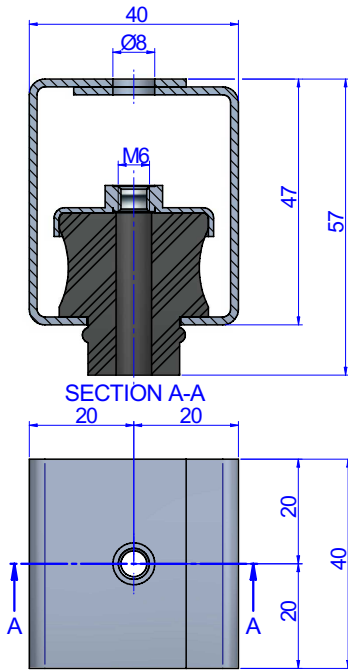
 AMC MECANOCAUCHO
Industrialdea Zona A - Pab. 35.
Asteasu E-20159, Gipuzkoa
Spain

 Tel.: +34 943 69 61 02
Fax: +34 943 69 62 19


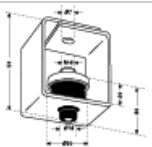
 sales@amcsa.es

 www.mecanocaucho.com
www.akustik.com

DRAWINGS

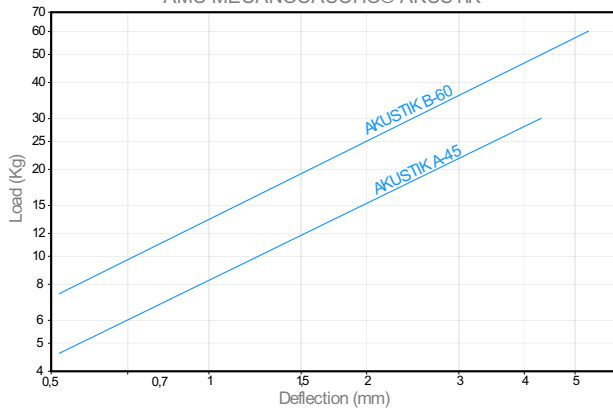


DIMENSIONS

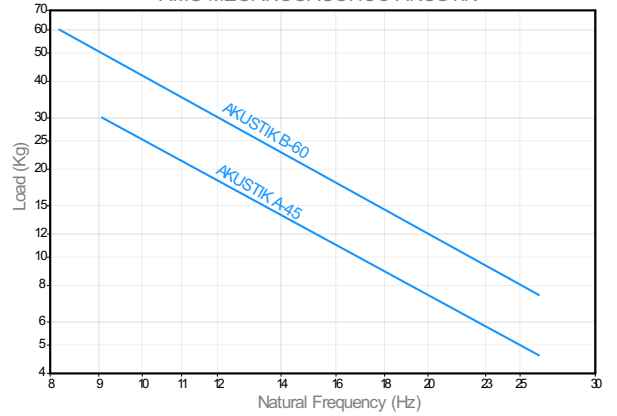
	Type	SUMMARY	Load (kg)	Weight (kg)	Code
	Akustik 3 A-45	Fitted by using an M-6 rod and a nut.	8-30	0,102	23121
	Akustik 3 B-60	Fitted by using an M-6 rod and a nut.	25-60	0,102	23122

Elastical properties

LOAD DEFLECTION GRAPH
AMC MECANOCAUCHO® AKUSTIK



NATURAL FREQUENCY
AMC MECANOCAUCHO® AKUSTIK



ISOLATION % AND ATTENUATION IN dB
AMC MECANOCAUCHO® AKUSTIK

