

ATP ANTI VIBRATION MOUNTS



AMC-MECANOCAUCHO® ATP type anti vibration mounts have been designed to provide effective vibration isolation of medium to high frequency applications in a variety of industrial machinery - generator sets, motor pumps, motor compressors, hydraulic units, etc. The top metal part is cup shaped to protect the rubber section from contamination by oil , grease , petrol diesel and other contaminants.

TECHNICAL CHARACTERISTICS

The compound used is based on a standard natural rubber specifically designed to have good ageing properties . Load capacities shown in catalogue are the maximum Static values with the capability of withstanding occasional extreme dynamic overloads . ATP mounts have stiffness values 4 times greater in the radial plane than the axial plane , providing effective resistance to transient lateral shock loads .

APPLICATIONS

- Suspension systems where it is deemed necessary to control any Pitching or Rolling movement which could strain external connections.
- Medium and high frequency motor compressor units.
- Gen sets.
- Hydraulic Units.
- Marine auxiliary units.
- Ventilators , etc .



DRAWINGS

FIG. 1

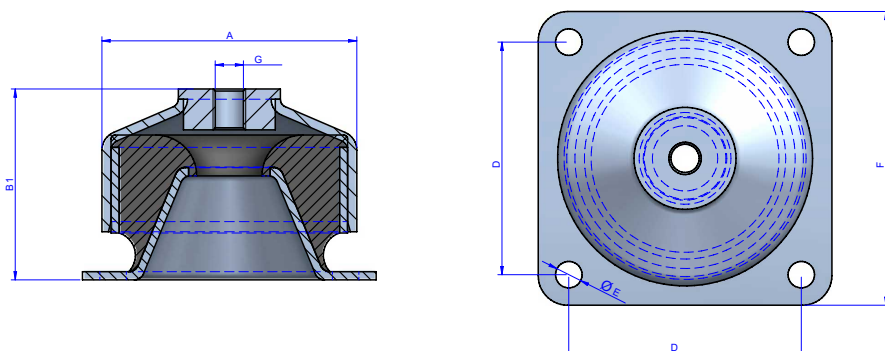
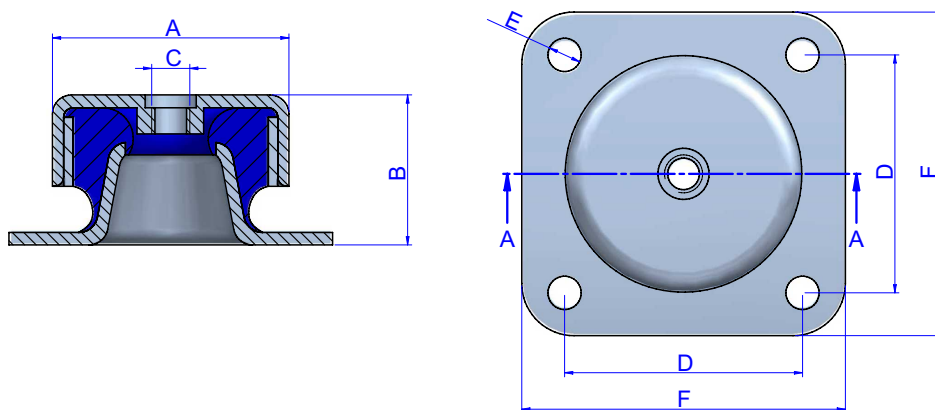


FIG. 2



DIMENSIONS

Type	A (mm)	B (mm)	C (mm)	D (mm)	E (mm)	F (mm)	G (mm)	Weight (gr)	B1	Shore	Load (kg)	FIG.	Code
ATP 020	49,7	31,5	M-8	50	7	68	16	143	-	45 Sh	50	2	133101
										60 Sh	75	2	133102
										75 Sh	100	2	133103
ATP 120	73,6	43	M-10	72,2	9,2	90	32	379	53	45 Sh	70	2	133104
										60 Sh	120	2	133105
										75 Sh	175	2	133106
										45 Sh	70	1	133151
										60 Sh	120	1	133152
										75 Sh	175	1	133153

DRAWINGS

FIG. 1

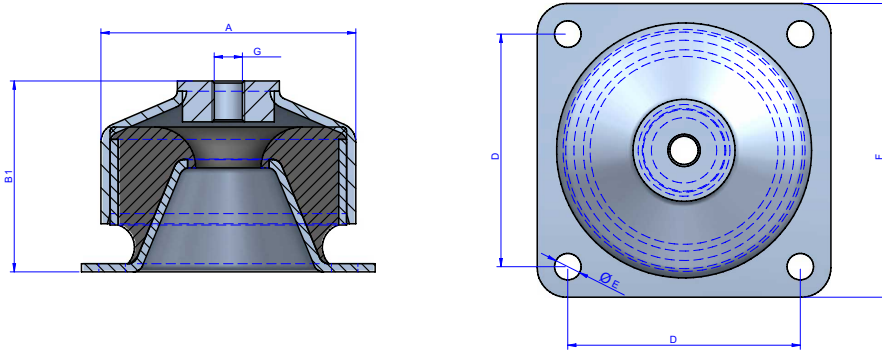
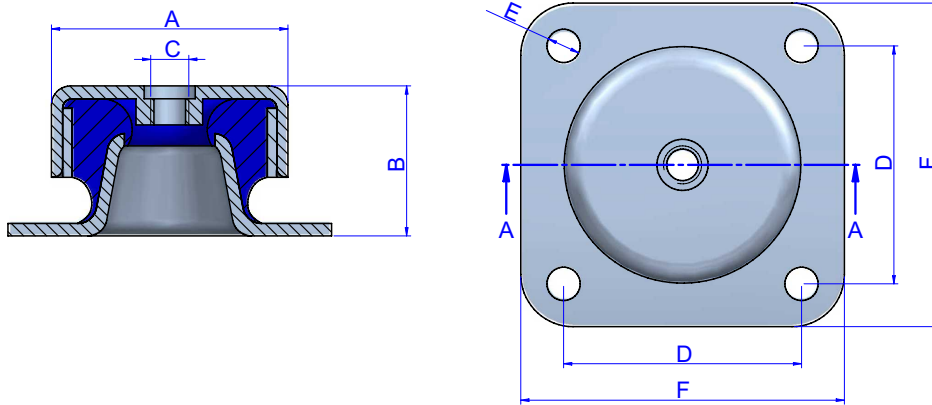


FIG. 2

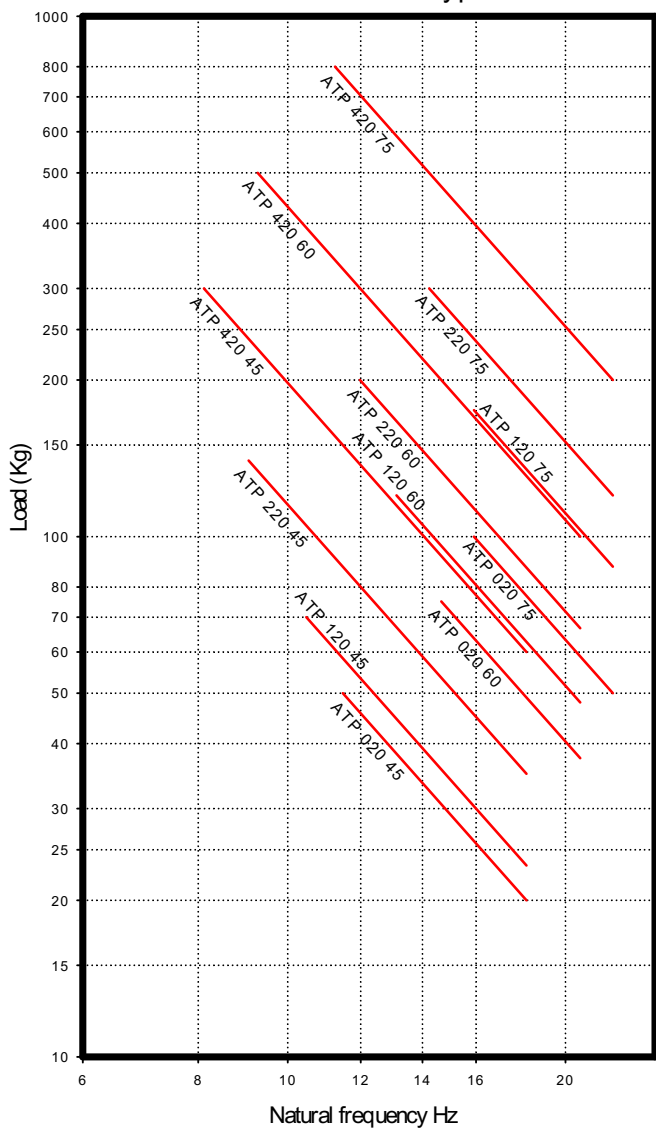


DIMENSIONS

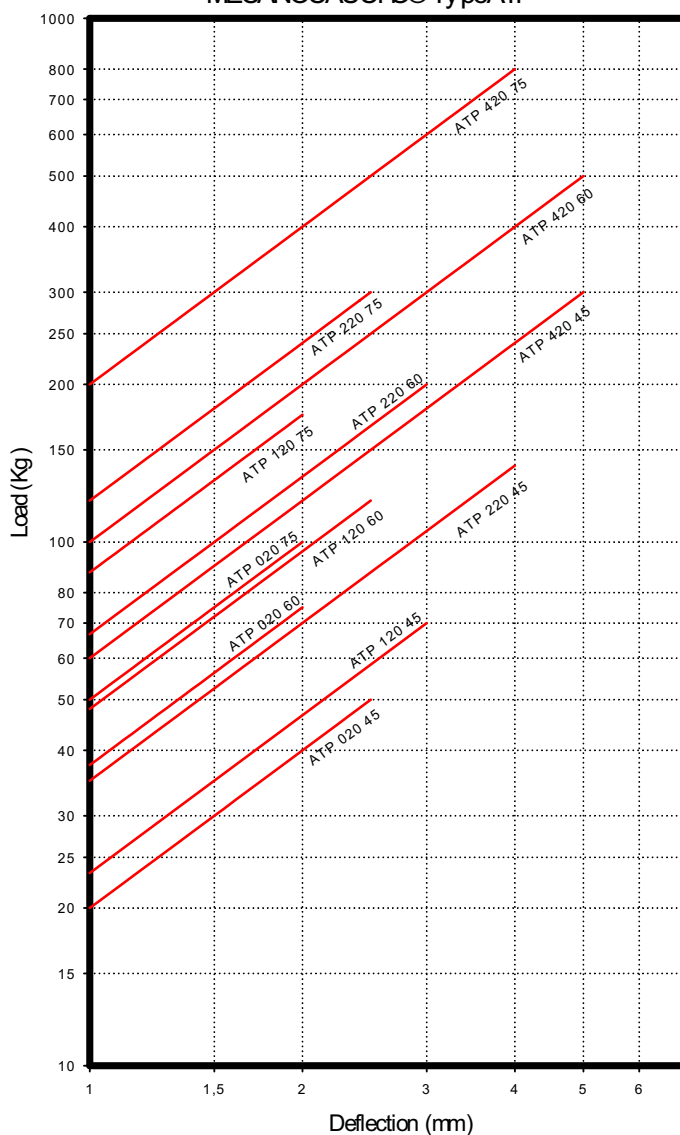
Type	A (mm)	B (mm)	C (mm)	D (mm)	E (mm)	F (mm)	G (mm)	Weight (gr)	B1	Shore	Load (kg)	FIG.	Code
ATP 220	91	53	M-12	90	11	114,2	36	618	63	45 Sh	140	2	133107
										60 Sh	200	2	133108
										75 Sh	300	2	133109
										45 Sh	140	1	133154
										60 Sh	200	1	133155
ATP 420	124,5	75	M-16	114	13	144	16	1510	94	45 Sh	300	2	133110
										60 Sh	500	2	133111
										75 Sh	800	2	133112
										45 Sh	300	1	133157
										60 Sh	500	1	133158
										75 Sh	800	1	133159

Elastical properties

NATURAL FREQUENCIES MC MECANOCAUCHO® TypeATP



LOAD DEFLECTION GRAPHS MECANOCAUCHO® TypeATP



OPERATION AND ASSEMBLY



ATP mountings use the rubber section in a shear mode to achieve the best load /deflection values . Due to the interior design of the rubber section they have a progressive stiffness feature, preventing metal to metal contact in the case of impacts or extreme overload in transient shock conditions on mobile equipment . ATP mounts can be attached to the support structure by Set Screws or Bolts , or by threaded studs securely grouted to the floor to suit the base plate attachment holes .

ADVANTAGES



- Easily assembled to the machine and the support structure .
- Top metal cap protects the rubber section against various contaminants- diesel , oils , grease , petrol , etc .
- Effectiveness – three variations in hardness - Soft: A 45, Medium: B 60, Hard: C 75. This enables the user to choose each mount depending upon the load to be supported and the frequency of the vibrations to be attenuated.