

SCBR ANTI VIBRATION MOUNTS

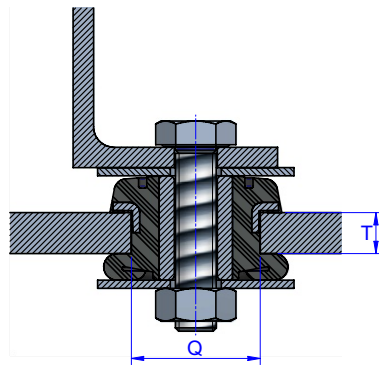
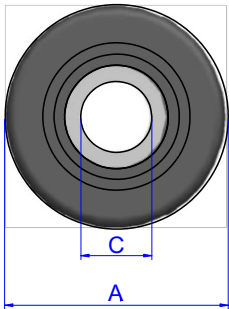
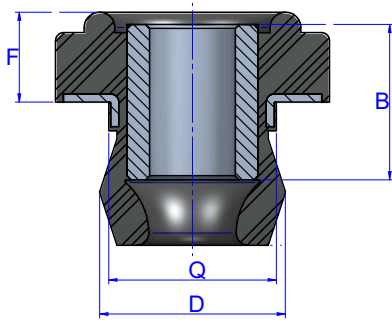


The SCBR elastic mounts are elements that work on the basis of compression since thanks to their design and assembly they provide an anti-rebound effect, thus permitting safety assemblies.

Moreover it contains a metallic part, that avoids a premature wear by friction between the rubber and the housing of the mount.



DRAWINGS

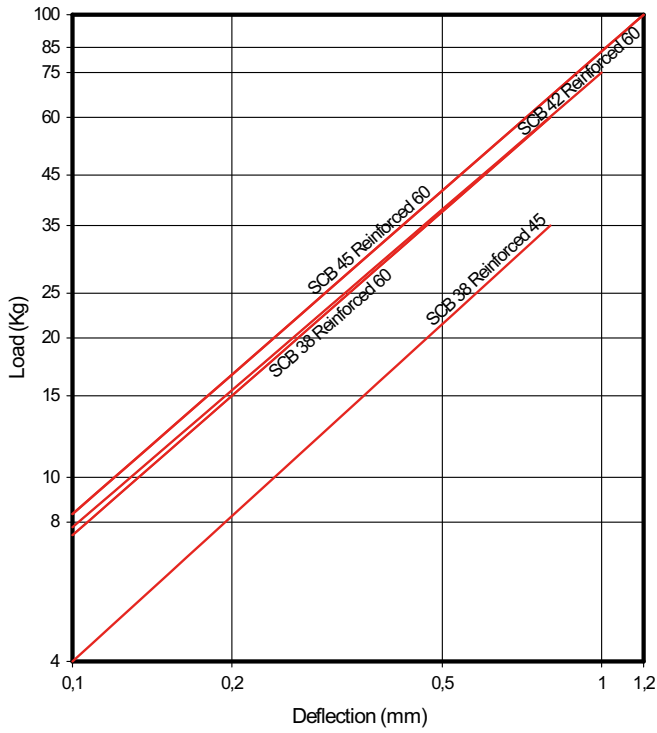


DIMENSIONS

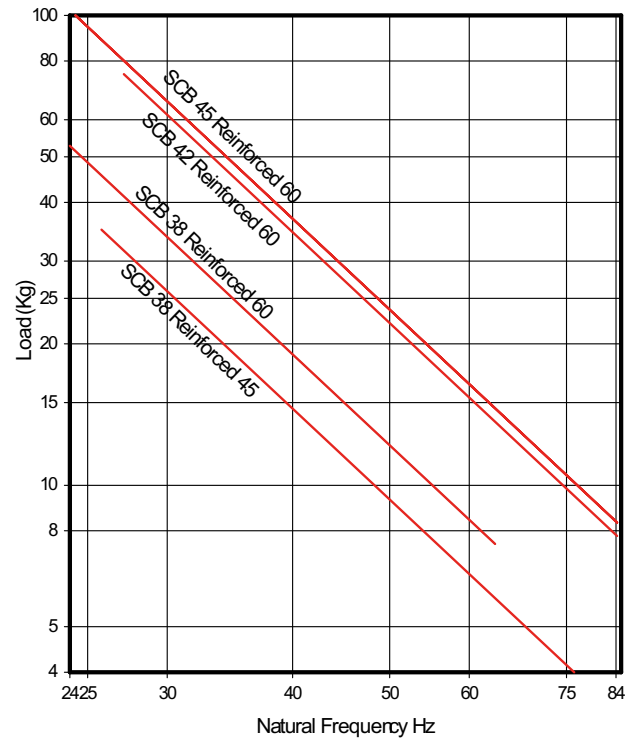
Type	Tightening torque MAX (Nm)	A (mm)	B (mm)	C (mm)	D (mm)	F (mm)	Q (mm)	T (Max.)	T (Min.)	Weight (gr)	WASHER	Shore	Load (kg)	Code
SCBR 38	41	34	19	10,75	20,75	11	20,5	5	3	30	611065	45 Sh	35	138045
												60 Sh	60	138047
SCBR 42	71	42	21,25	13	31,5	9,5	31,5	6	6	40	611080	60 Sh	75	138051
SCBR 45	41	42	25,5	10,5	31,5	10	31,5	11	10	56	611080	60 Sh	100	138027

Elastical properties

AMC LOAD DEFLECTION CURVES
MECANOCAUCHO® SCBR



AMC NATURAL FREQUENCY
MECANOCAUCHO® SCBR



OPERATION AND ASSEMBLY



The SCBR mounts must be installed according to the following installation instructions:

They can be installed in frames of different thicknesses according to the values of T, given in the table below. The load vs. deformation curves will vary depending on the thickness of the frame on which the mount is installed. This thickness "T" determines the degree of precompression of the mount.

For the correct installation of the mount, it is recommended to make a hole in the frame with diameter Q, given in the table below.

The use of washers is recommended in the event that the support surface does not completely cover the rubber surface.

Respect the tightening torque of the mount.

In case of any doubt, contact the technical department.

ADVANTAGES



- Easy to assemble.
- Simple and economical product.
- Wide range of loads.

The inside stop effect makes them very recommendable for safety purposes.