

V-SHAPED MARINE ENGINE MOUNT



AMC-Mecanocaucho® V-shaped marine engine mount works the rubber section in shear and compression. It is comprised of 2 metal parts which permits its installation by means of a stud on the top metal and two holes in the baseplate for securing it to the chassis .

TECHNICAL CHARACTERISTICS

The AMC-Mecanocaucho® V-Marine Engine Mount shape design provides high deflections for relatively low loads. This means that the natural frequency is low and ideal for engines which frequently work at idle speed. It has different stiffness rates in the Vertical , Horizontal and Lateral axes which permits adjustments to the system modes for optimal isolation and stability.

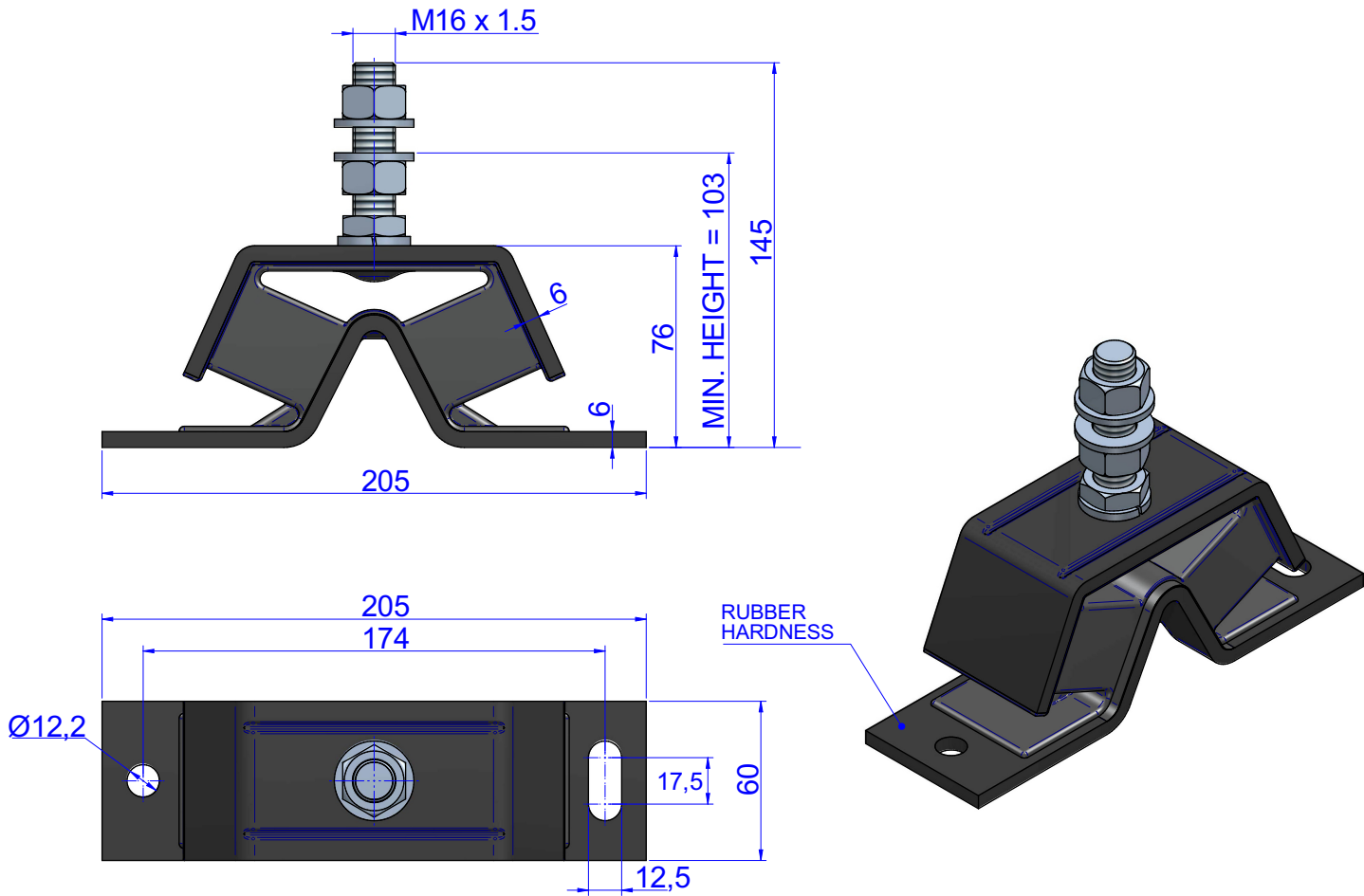
Maximum leveling: 3 mm.

APPLICATIONS

It is used in applications where the load of the suspended unit is low, where high deflection is required to provide high vibration isolation levels. Small vehicles or machines, small and medium-sized gen sets, marine engines ;



DRAWINGS



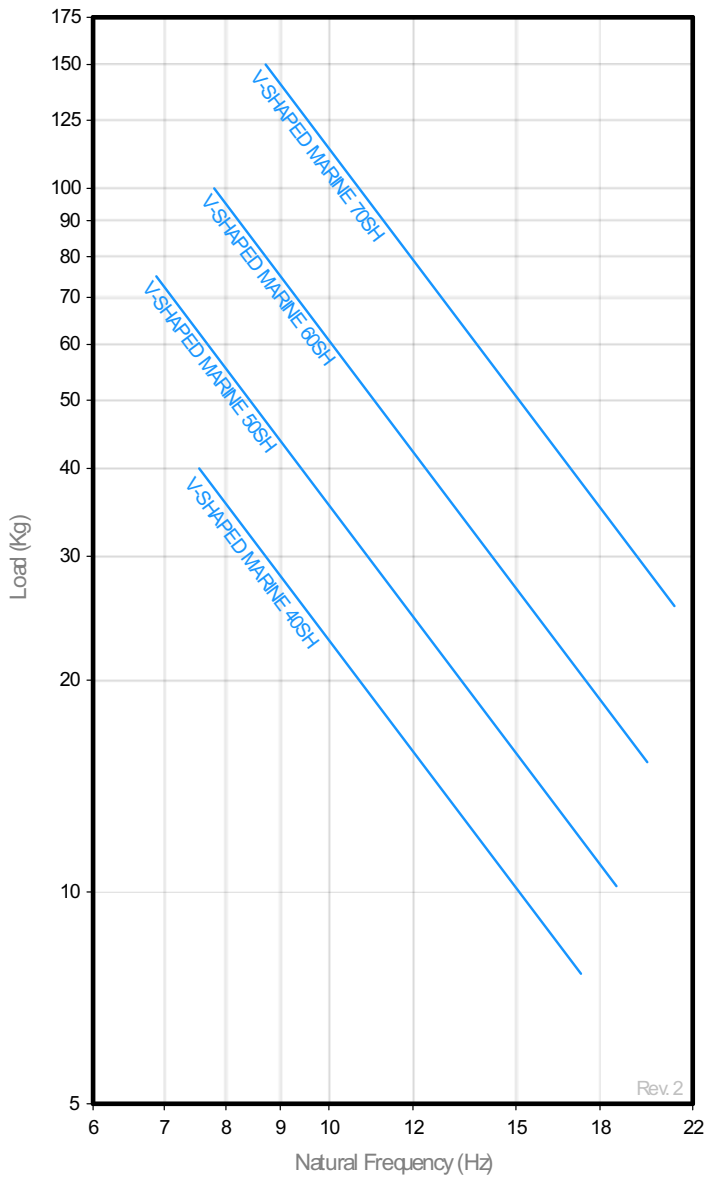
DIMENSIONS

Type	Weight (gr)	Shore	Load (kg)	Code
V-shaped marine	1720	40 Sh	40	148001
		50 Sh	75	148003
		60 Sh	100	148004
		70 Sh	150	148006

Elastical properties

NATURAL FREQUENCY

AMC MECANOCAUCHO® V-SHAPED MARINE MOUNT



LOAD DEFLECTION GRAPH

AMC MECANOCAUCHO® V-SHAPED MARINE MOUNT

