

DRD ANTI VIBRATION MOUNTS



The AMC-MECANOCAUCHO® type DRD anti vibration mounts have low axial and radial stiffness rates. Their design makes them ideal for those machines that produce vibrations in 3 axes. The design of these mounts is similar to the DSD mounts, but the rubber section has a higher profile. This feature makes them lower stiffness rate mounts compared to the DSD types. DRD mounts are particularly useful for those applications where much improved vibration isolation is required .

TECHNICAL CHARACTERISTICS

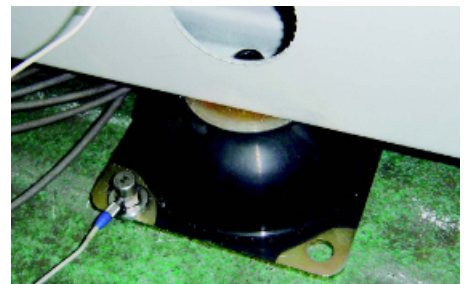
The DRD mounts by MECANOCAUCHO® have the following characteristics.

- The metal parts are protected from corrosion by an electrolytic coating for outdoor work. RoHs compliant.
- We engrave the rubber hardness on the metal parts.

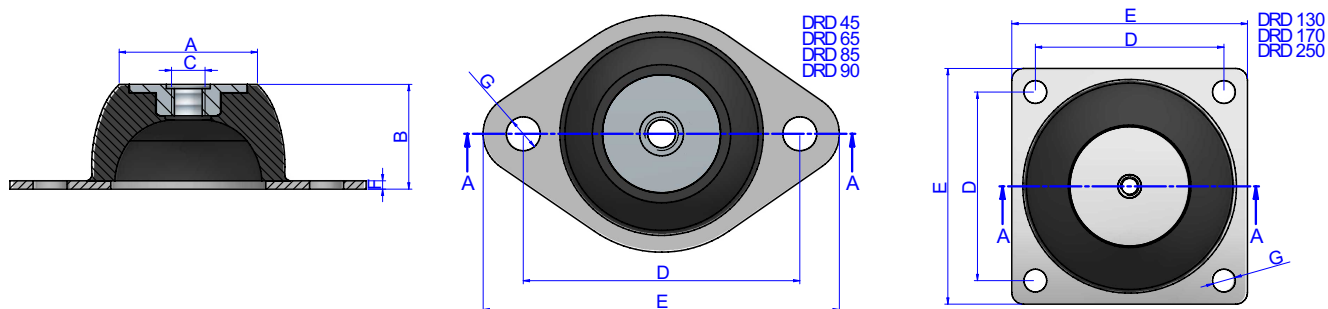
APPLICATIONS

The D.R.D. mounts are ideal for light machinery operating at medium to low excitation frequencies.

- Compressors.
- Air-conditioners.
- Ventilators.
- Vibrating Tables.



DRAWINGS



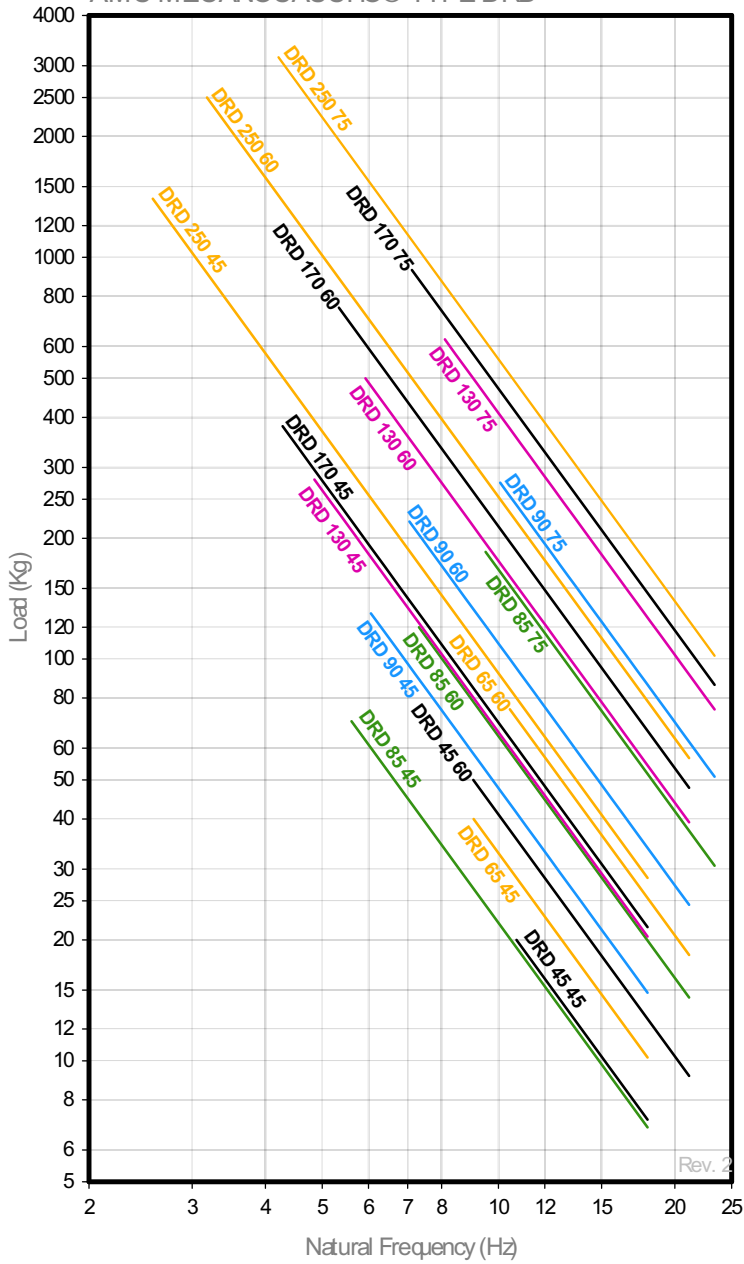
DIMENSIONS

| Type | Tightening torque Max (Nm) | A (mm) | B (mm) | C (mm) | D (mm) | E (mm) | F (mm) | G (mm) | Weight (gr) | Shore | Max. Load (kg) | Code |
|---------|-------------------------------|-----------|-----------|-----------|-----------|-----------|-----------|-----------|----------------|-------|-------------------|--------|
| DRD 45 | - | 33 | 25 | M-8 | 66 | 85 | 2 | 8 | 70 | 45 Sh | 20 | 175081 |
| | | | | | | | | | | 60 Sh | 50 | 175083 |
| DRD 65 | - | 52 | 35 | M-10 | 92 | 114 | 2,5 | 10,5 | 170 | 45 Sh | 40 | 175001 |
| | | | | | | | | | | 60 Sh | 75 | 175002 |
| DRD 85 | - | 52 | 40 | M-10 | 110 | 136 | 3 | 11,5 | 303 | 45 Sh | 75 | 175003 |
| | | | | | | | | | | 60 Sh | 120 | 175004 |
| | | | | | | | | | | 75 Sh | 185 | 175013 |
| DRD 90 | - | 57,5 | 45 | M-10 | 125 | 150 | 3 | 12,5 | 430 | 45 Sh | 130 | 175021 |
| | | | | | | | | | | 60 Sh | 220 | 175022 |
| | | | | | | | | | | 75 Sh | 275 | 175023 |
| DRD 130 | - | 78 | 63,5 | M-12 | 120 | 150 | 5 | 14,5 | 1080 | 45 Sh | 280 | 175031 |
| | | | | | | | | | | 60 Sh | 500 | 175032 |
| | | | | | | | | | | 75 Sh | 625 | 175033 |
| DRD 170 | - | 100 | 84 | M-16 | 160 | 200 | 4 | 14,5 | 2390 | 45 Sh | 380 | 175036 |
| | | | | | | | | | | 60 Sh | 750 | 175037 |
| | | | | | | | | | | 75 Sh | 930 | 175038 |
| DRD 250 | - | 187 | 158 | M-24 | 250 | 310 | 6 | 18,5 | 10400 | 45 Sh | 1400 | 175041 |
| | | | | | | | | | | 60 Sh | 2500 | 175042 |
| | | | | | | | | | | 75 Sh | 3150 | 175044 |

Elastical properties

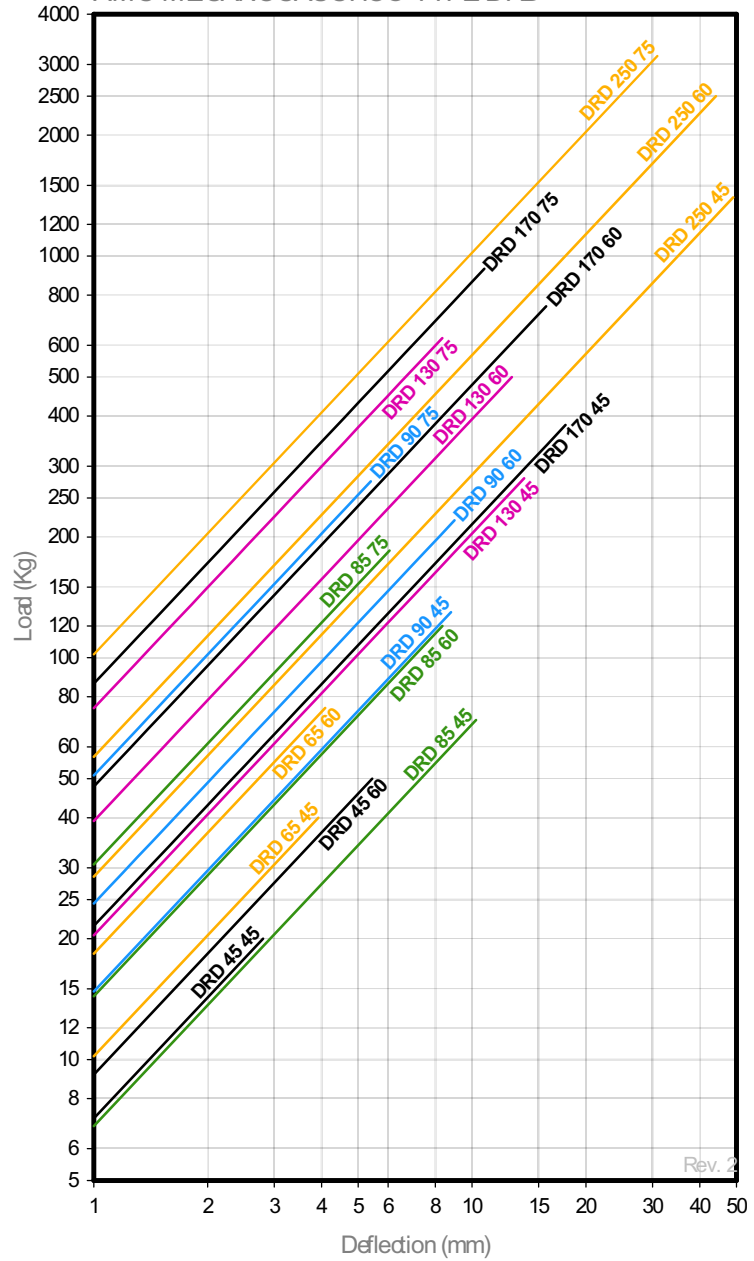
NATURAL FREQUENCY

AMC MECANOCAUCHO® TYPE DRD



LOAD DEFLECTION GRAPH

AMC MECANOCAUCHO® TYPE DRD



OPERATION AND ASSEMBLY



The design of the mount allows an easy installation. The top metal part has an inside thread for securing to the machine, the baseplate has 2/4 holes that allow an easy fixation to the frame. Oil anti-drip hoods can be supplied on demand.

