

# LEVELLING FEET FIXED STUD

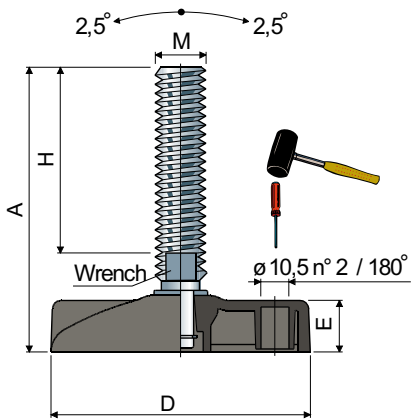


Fiberglass reinforced polyamide bases with stainless pins.

Threaded studs are available in zinc plated or stainless steel.



DRAWINGS



DIMENSIONS

Type	A (mm)	D (mm)	E (mm)	H (mm)	M	Weight (kg)	Max. Load (kg)	Code
STEEL	159	102	20	119	M16x119	0,255	3300	159504
	156	124	24	107	M20x100	0,378	4500	159505
STAINLESS STEEL	159	102	20	119	M16x119	0,255	3300	159514
	156	124	24	107	M20x100	0,378	4500	159515