

KIT TRAPEZOID SUPPORTS A-45



The AMC Mekanocaucho® A-45 supports are used for making elastic fixation between two elements. They can be used in a wide variety of applications, particularly for elastic suspensions and anti-vibration isolation of machines and industrial equipment.

TECHNICAL CHARACTERISTICS

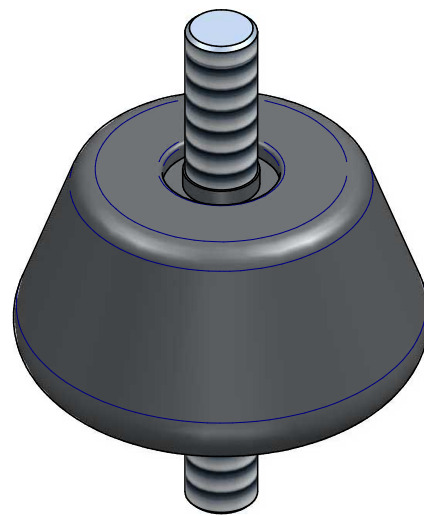
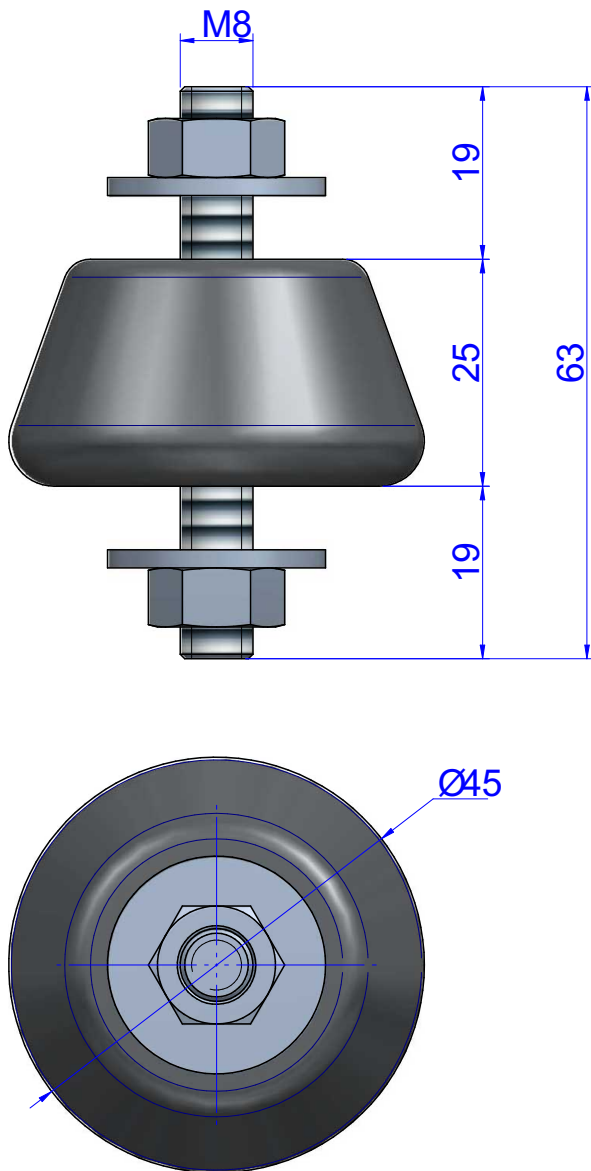
The AMC Mekanocaucho® A-45 supports have a softer stiffness in the direction which is perpendicular to its axis (shear). The AMC Mekanocaucho® A-45 supports allow for relative movements between two secured elements, movement can be accommodated to provide elasticity in the case of heat expansion, chassis deformations, etc.

APPLICATIONS

The AMC Mekanocaucho® bobbins are particularly suitable for installation on small motor-pumps, motor-ventilators, driers, sieves, compactors, washing machines, electrical motors, on-board control panels, measuring apparatuses, control cabinets, microphones, fluorescent tubes, etc.



DRAWINGS



DIMENSIONS

Type	Weight (kg)	LOAD (kg MIN)	LOAD (kg MAX)	Code
A-45	0,368	30	85	649016

OPERATION AND ASSEMBLY



Its elasticity is much greater in all the directions parallel to the armatures than in the perpendicular direction. The rubber works based on compression or shear depending on the direction it is placed at installation time. This direction is made according to the use and the objective. It is therefore installed with nuts or screws depending on the model chosen, with one part attached to the fixed chassis and the other to the machine to be suspended.

ADVANTAGES



- Easy to install.
- High elasticity (particularly transversal).
- Economical.