

Anti vibration  
mounts


# SN ANTI VIBRATION MOUNTS

**AMC**  
MECANOCAUCHO  
NOISE AND  
VIBRATION  
SOLUTIONS



It is a support used in multiple applications, but primarily in marine engines whose excitation frequency is less than or close to 1000 rev/min.



 AMC MECANOCAUCHO  
Industrialdea Zona A - Pab. 35.  
Asteasu E-20159, Gipuzkoa  
Spain

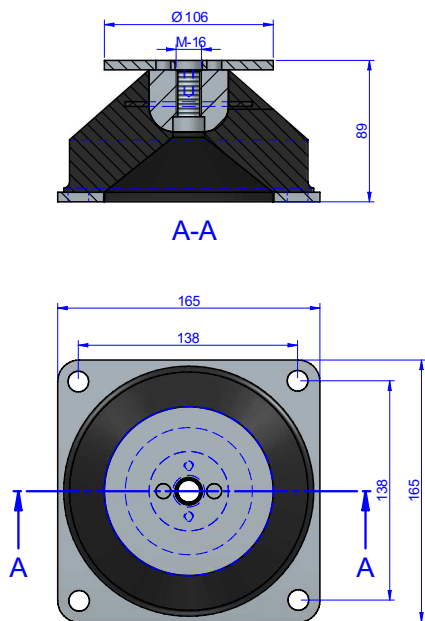
 Tel.: +34 943 69 61 02  
Fax: +34 943 69 62 19

 [sales@amcsa.es](mailto:sales@amcsa.es)

 [www.mecanocaucho.com](http://www.mecanocaucho.com)  
[www.akustik.com](http://www.akustik.com)

*In order to adapt its products to the state of the art, AMC S.A. reserves the right to modify the conception and manufacture of the materials presented in this catalogue without prior notice.*

## DRAWINGS



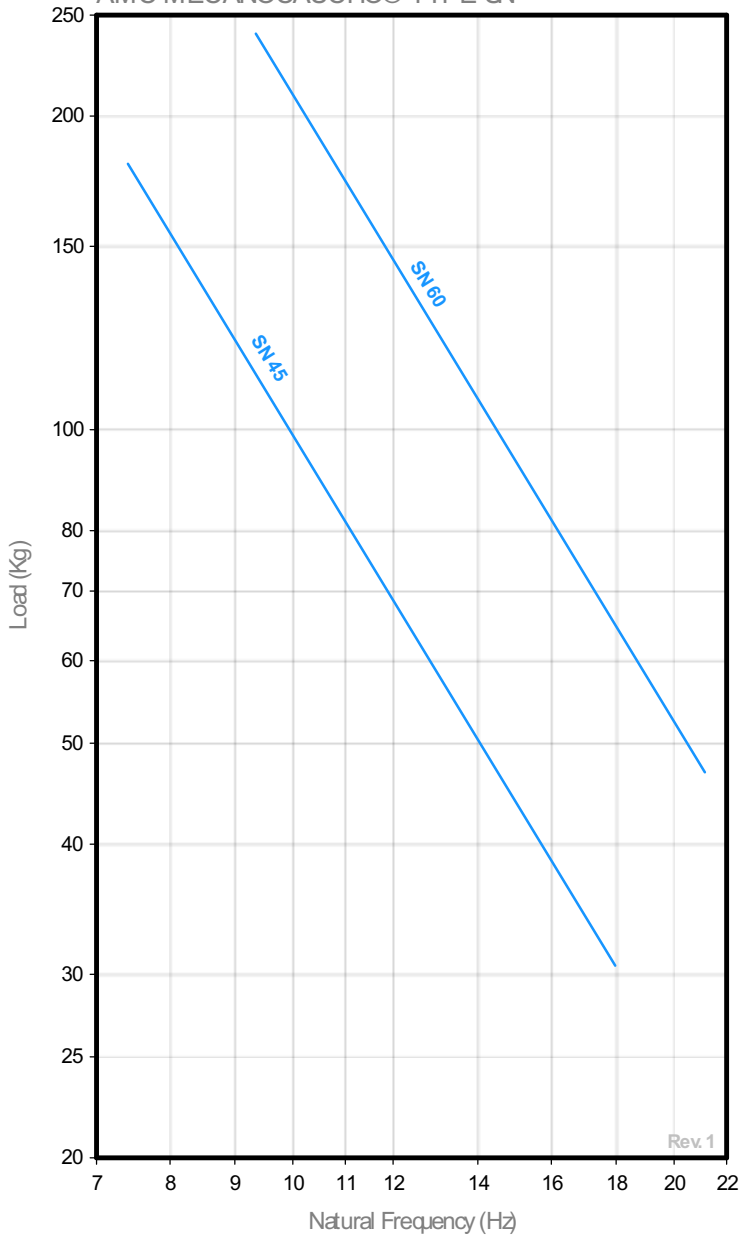
## DIMENSIONS

Type	Shore	DEFLECTION mm	Weight (kg)	Max. Load (kg)	Code
SN	45 Sh	9	2,616	180	139001
	60 Sh	8	2,616	240	139002

## Elastical properties

### NATURAL FREQUENCY

#### AMC MECANOCAUCHO® TYPE SN



### LOAD DEFLECTION GRAPH

#### AMC MECANOCAUCHO® TYPE SN

