

MARINE MOUNT TYPE XD



The XD Marine type AMC-MECANOCAUCHO® mounts are ideal for mobile applications where a higher degree of isolation is required.

Its specific design allows lower vertical and radial stiffness rates. This feature is particularly useful on those applications where a high vibration isolation rate is required even if the machine runs at low idle speeds. The metal parts are robust and incorporate a fail-safe device in order to resist traction forces.

TECHNICAL CHARACTERISTICS

- The cast aluminum bell has been designed to withstand to great dynamic shocks while the rubber compound is guided in order to avoid relative displacements.
- The rubberized baseplate and the aluminum top cap provide a higher resistance to marine corrosive environments, improving the performance of traditional marine antivibration mounts.
- The mounts have a clear identification of rubber hardness on the baseplate.
- The rubber compound is protected against oil contamination, O3 and UV rays.
- The failsafe device avoids rubber working at traction and limits the vertical ascendant movement.
- The different stiffness rates per axis, allow low roll natural frequencies of the system. This feature provides a higher vibration isolation degree on engines. The fact of having a lower vertical stiffness perfectly suits 3 cylinder engines working at low idle speeds.
- The higher longitudinal stiffness allows the mount to withstand thrust forces. This feature provides stability and reduces longitudinal movements of the engine. For marine application installations, please contact the technical department of AMC-MECANOCAUCHO®.
- Maximum leveling: 3 mm. For further leveling, we recommend to use [shims](#).

APPLICATIONS

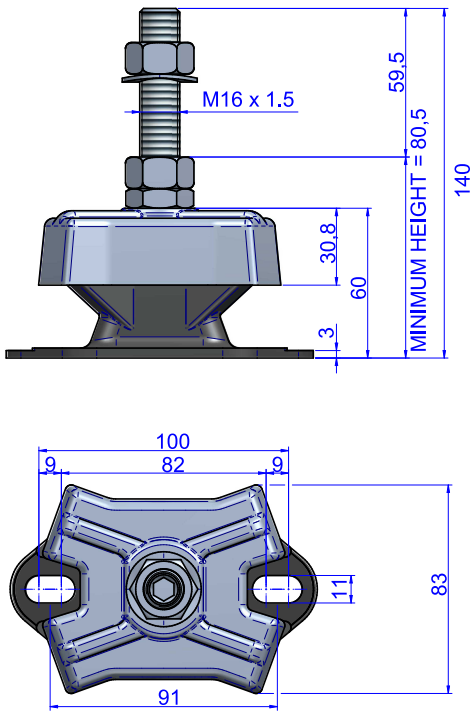
The type XD AMC-MECANOCAUCHO® mount is used on mobile applications that require higher degree of vibration isolation, such as:

- Marine engines
- Gensets
- Industrial engines
- Pumps
- Electrical panels
- Industrial vehicles
- Compressors
- Fans



MARINE MOUNT TYPE XD

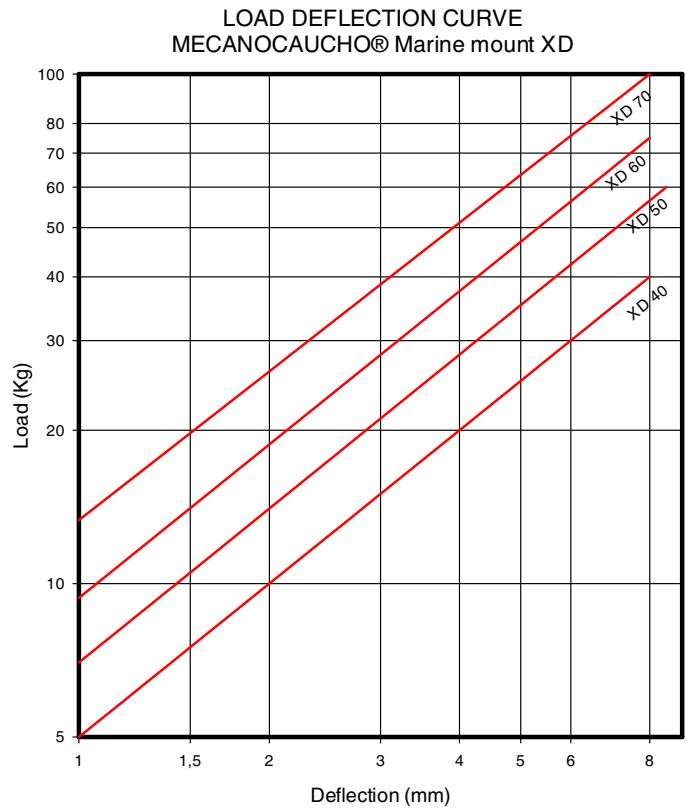
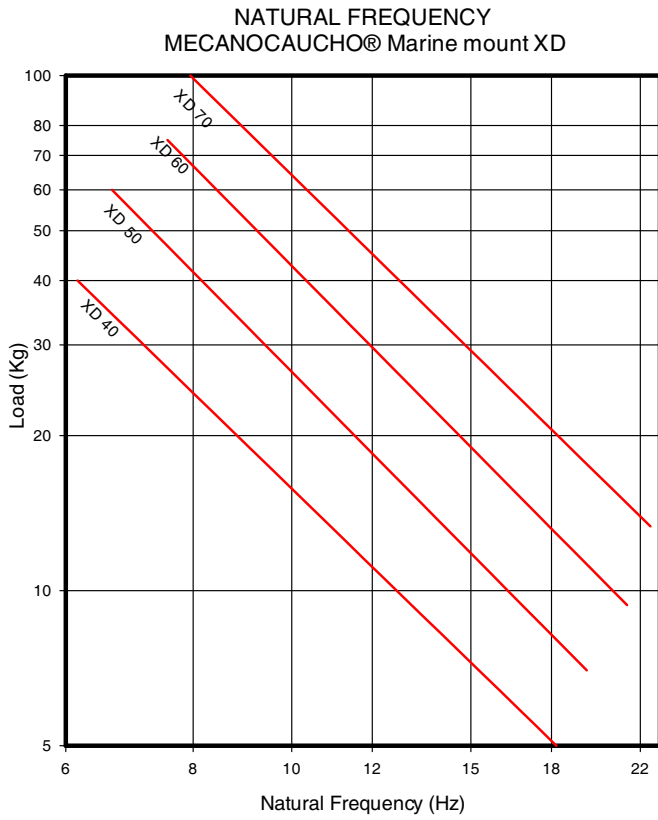
DRAWINGS



DIMENSIONS

Type	Weight (gr.)	Shore	LOAD kg MAX	Code
MARINE MOUNT type XD	655	40 Sh	40	136151
		50 Sh	60	136152
		60 Sh	75	136153
		70 Sh	100	136154

Elastical properties



ADVANTAGES



- The M16 stud is supplied with a 1,5 pitch fine thread to allow precise leveling. Compared to the traditional M12 studs used on similar sized marine mounts, the height adjuster of the Type XD Marine mount is more robust and designed for higher duty applications.



AMC MECANOCAUCHO
Industrialdea Zona A - Pab. 35.
Asteasu E-20159, Gipuzkoa
Spain



Tel.: +34 943 69 61 02
Fax: +34 943 69 62 19



sales@amcsa.es



www.mecanocaucho.com
www.akustik.com