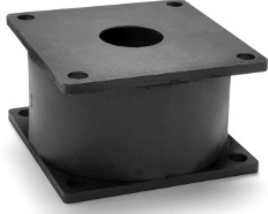
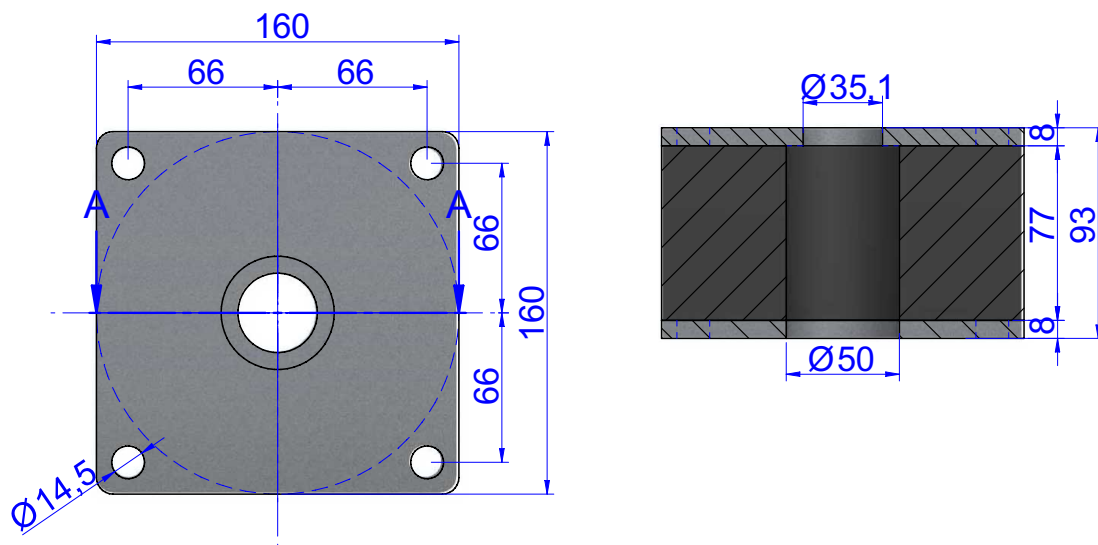


Anti vibration
mounts

TYPE P



DRAWINGS



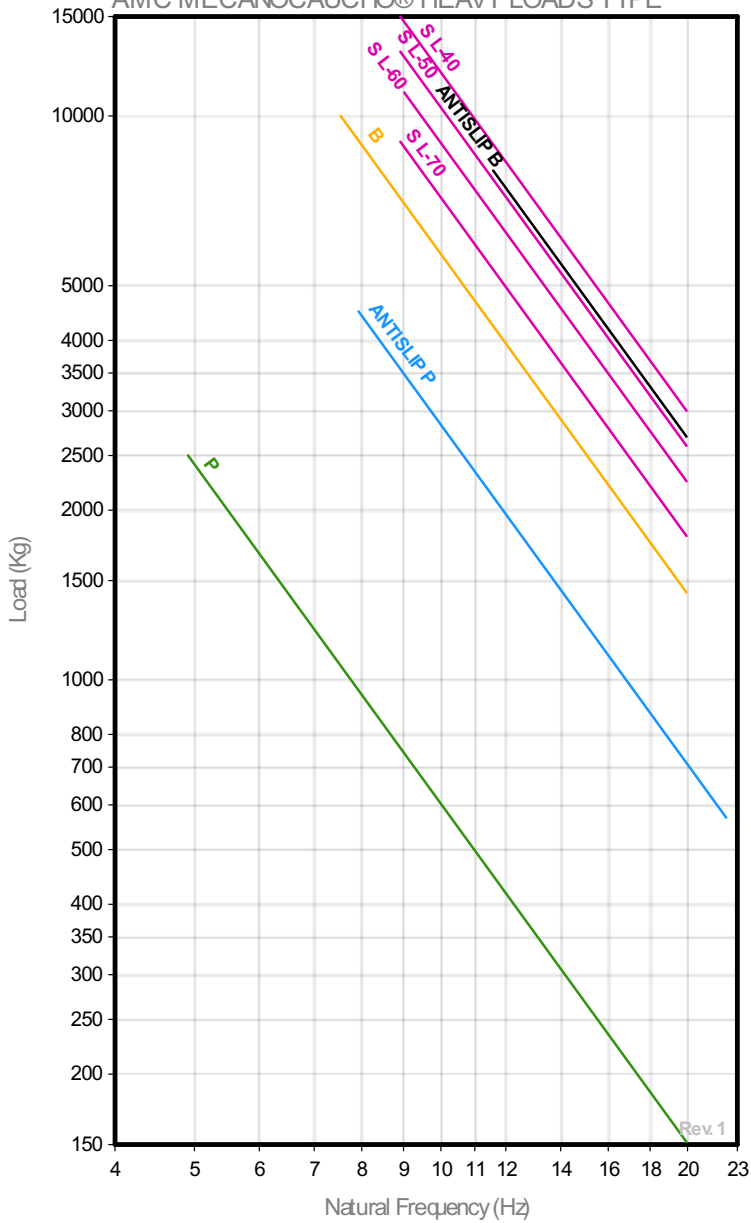
DIMENSIONS

Type	DEFLECTION mm	Weight (kg)	Max. Load (kg)	Code
Type P	15	4,499	2500	141005

Elastical properties

NATURAL FREQUENCY

AMC MECANOCAUCHO® HEAVY LOADS TYPE



LOAD DEFLECTION GRAPH

AMC MECANOCAUCHO® HEAVY LOADS TYPE

