

Anti vibration
mounts

TYPE P ANTI-SKID



AMC
MECANOCAUCHO
NOISE AND
VIBRATION
SOLUTIONS



 **AMC MECANOCAUCHO**
Industrialdea Zona A - Pab. 35.
Asteasu E-20159, Gipuzkoa
Spain

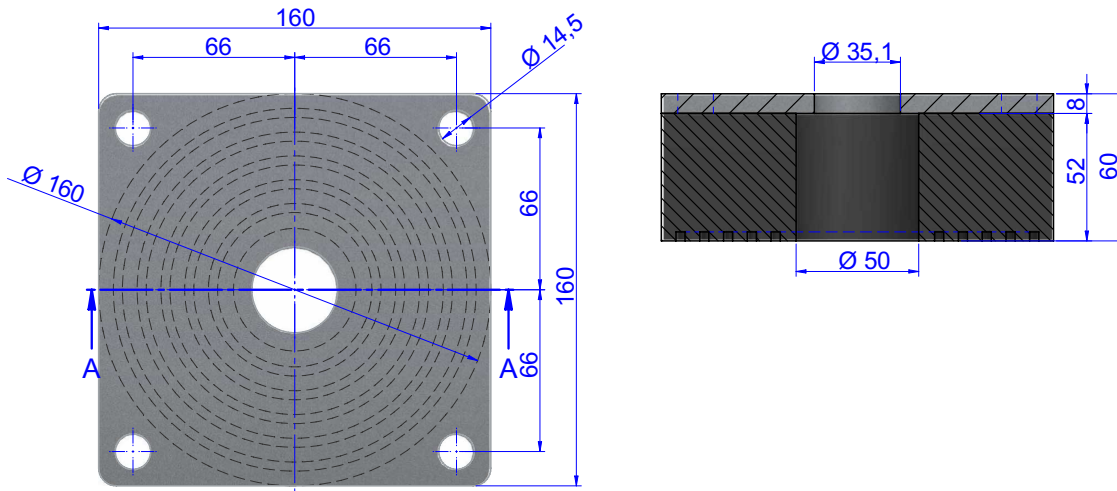
 Tel.: +34 943 69 61 02
Fax: +34 943 69 62 19

 sales@amcsa.es

 www.mecanocaucho.com
www.akustik.com

In order to adapt its products to the state of the art, AMC S.A. reserves the right to modify the conception and manufacture of the materials presented in this catalogue without prior notice.

DRAWINGS

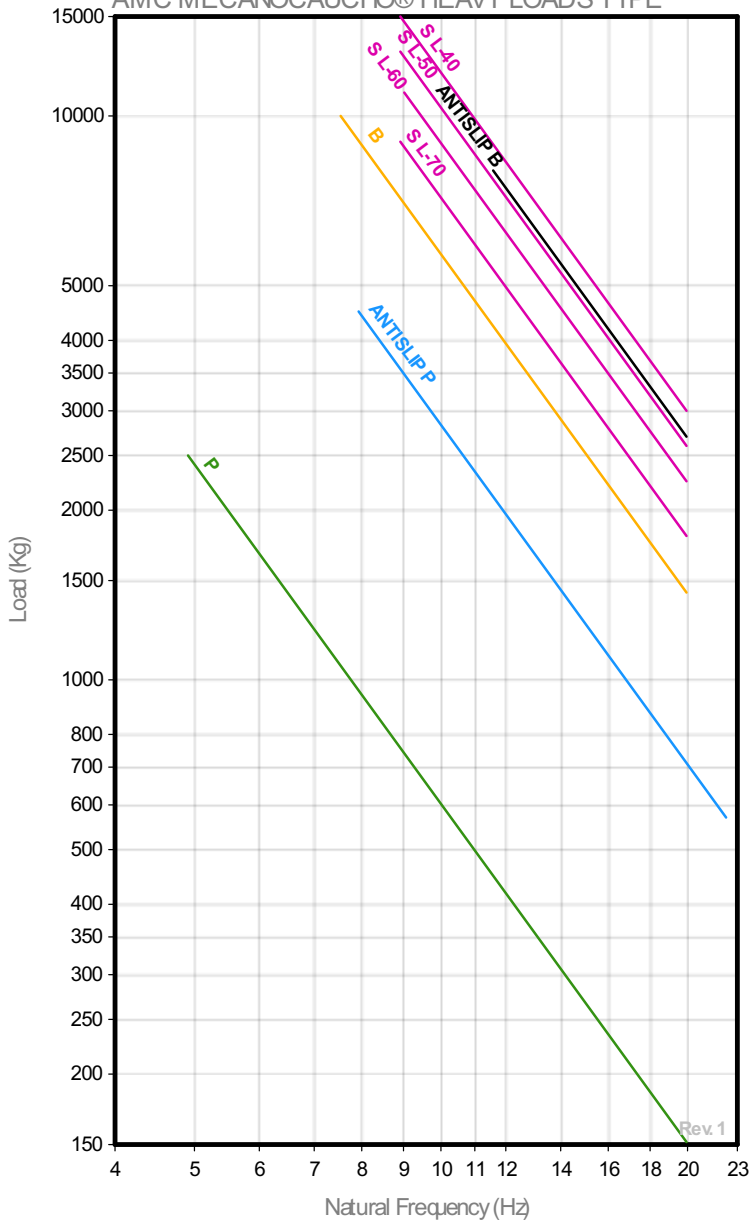


DIMENSIONS

Type	Weight (kg)	Code
Type P Anti-skid	2,422	141006

Elastical properties

NATURAL FREQUENCY
AMC MECANOCAUCHO® HEAVY LOADS TYPE



LOAD DEFLECTION GRAPH
AMC MECANOCAUCHO® HEAVY LOADS TYPE

