

# SANDWICH ANTI VIBRATION MOUNTS



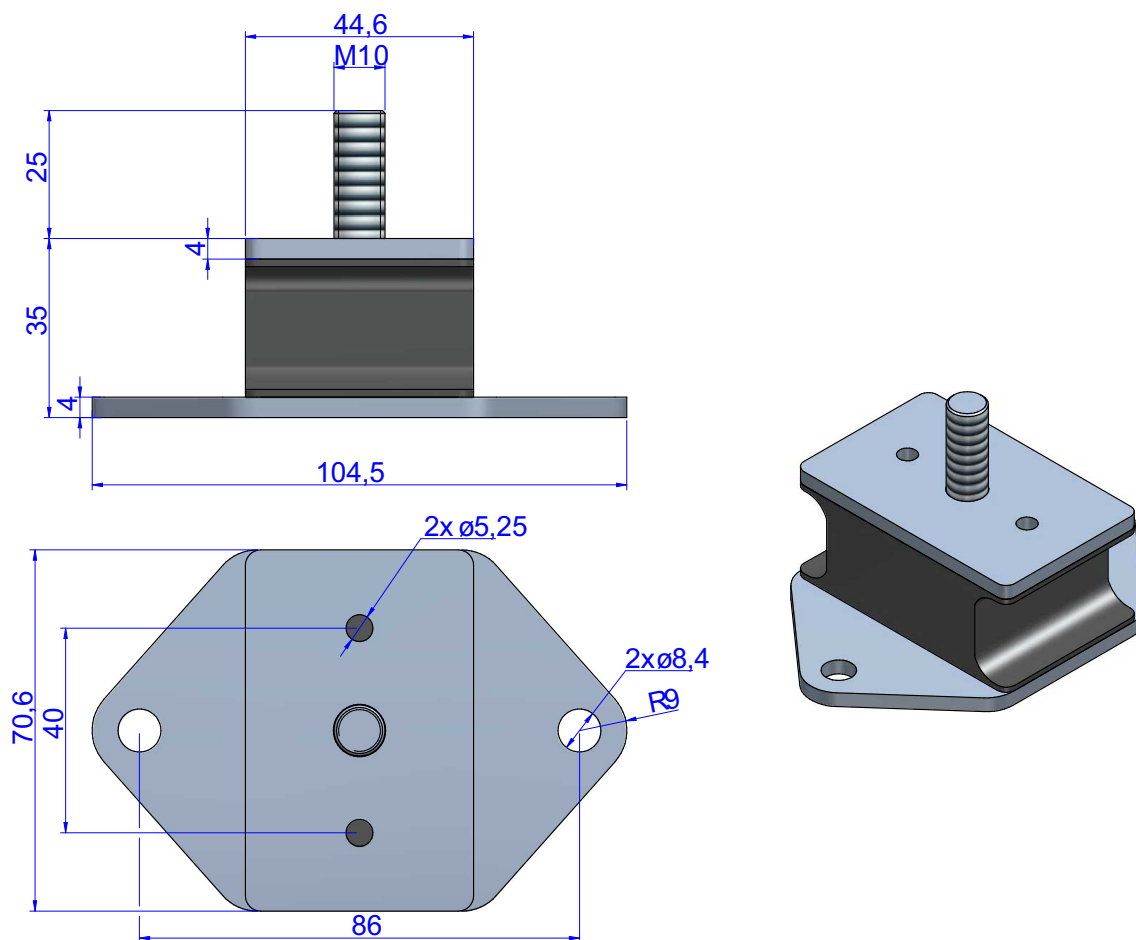
The AMC-MECANOCAUCHO® type Sandwich anti vibration mounts are ideal for static or mobile applications for loads ranging from 50 to 1500kg.

The Sandwich anti vibration mounts consists of three metal plates joined by two rubber blocks.

This is particularly interesting for mobile applications where the vertical movement has to be controlled.



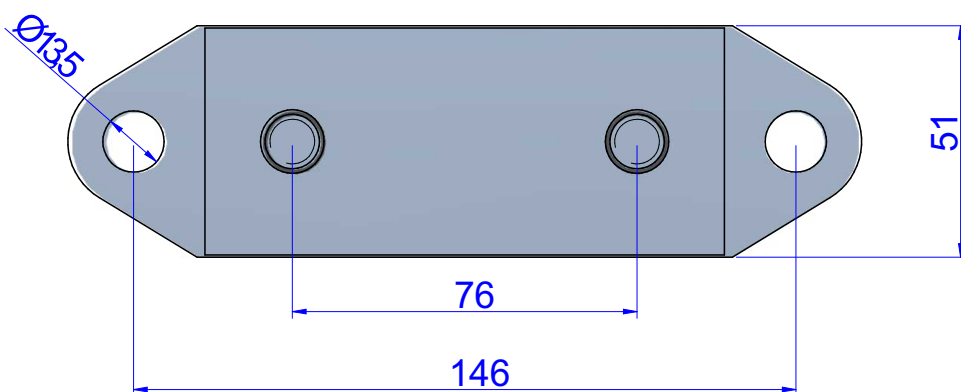
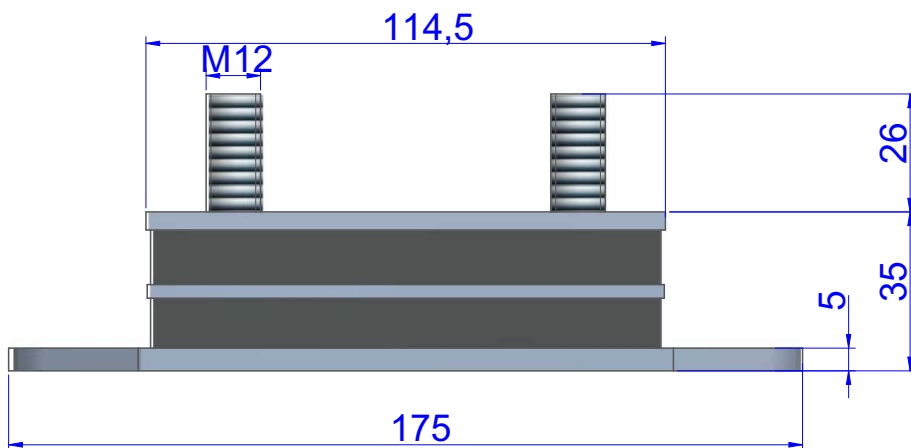
## DRAWINGS



## DIMENSIONS

Type	Shore	Weight (kg)	Max. Load (kg)	Code
Sandwich-46x70x35	40Sh	0,332	80	180199
	55Sh	0,332	150	180187

DRAWINGS



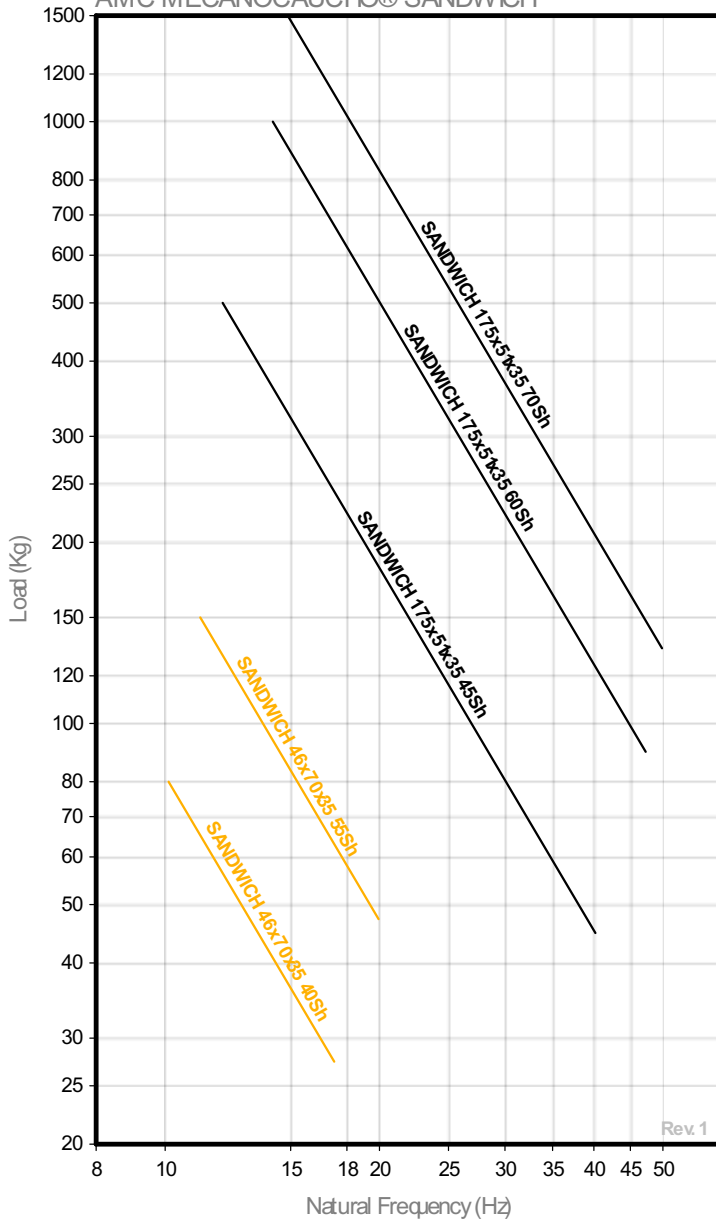
DIMENSIONS

Type	Shore	Weight (kg)	Max. Load (kg)	Code
Sandwich-175x51x35	45Sh	0,737	500	148189
	60Sh	0,737	1000	148190
	70Sh	0,737	1500	148191

Elastical properties

NATURAL FREQUENCY

AMC MECANOCAUCHO® SANDWICH



LOAD DEFLECTION GRAPH

AMC MECANOCAUCHO® SANDWICH

