

MD ANTI VIBRATION MOUNTS



AMC-Mecanocaucho® MD-type anti vibration mounts have a similar construction to the BSB and BRB ranges. The advantage of this mount is that it is manufactured in a high-damping rubber compound.

Its special compound mix affords it a high degree of anti vibration isolation and yet offers great stability to suspended equipment .

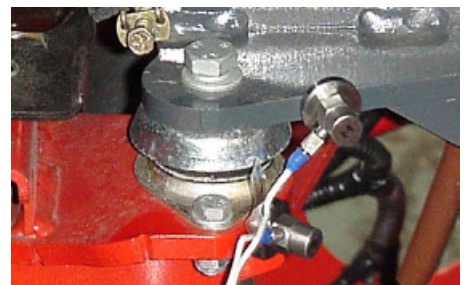
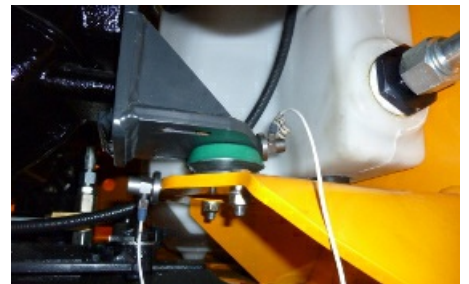
TECHNICAL CHARACTERISTICS

- The top metal cap protects the rubber section from possible deisel , oil splashes.
- It has an electrolytic coating that protects the metal parts against corrosion.
- The mounts have an interlocking metal component that provides fail-safe protection for mobile applications. This device limits vertical movement when the mounts are subjected to shock loads in transit .

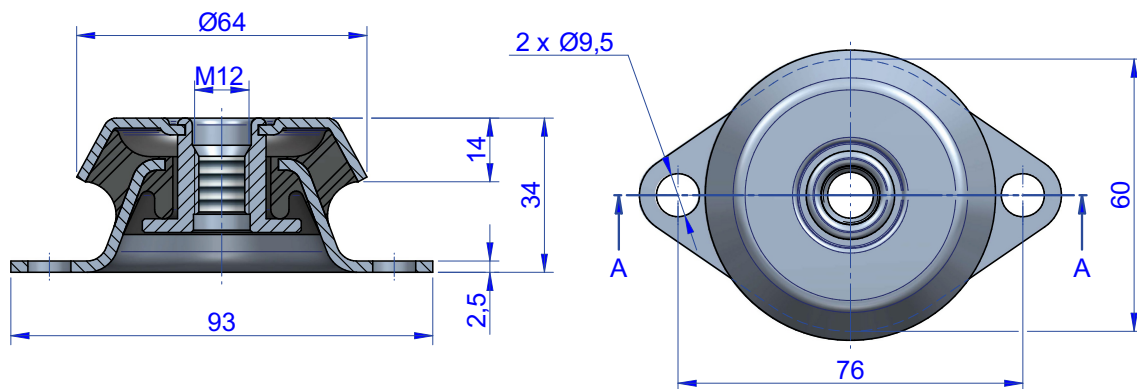
APPLICATIONS

This mount has been specially designed to isolate engines that produce high-amplitude vibrations.

<>Engines from 1 to 3 cylinders used on - Motor Pumps, Gen Sets, Compressors, Ventilators ;



DRAWINGS

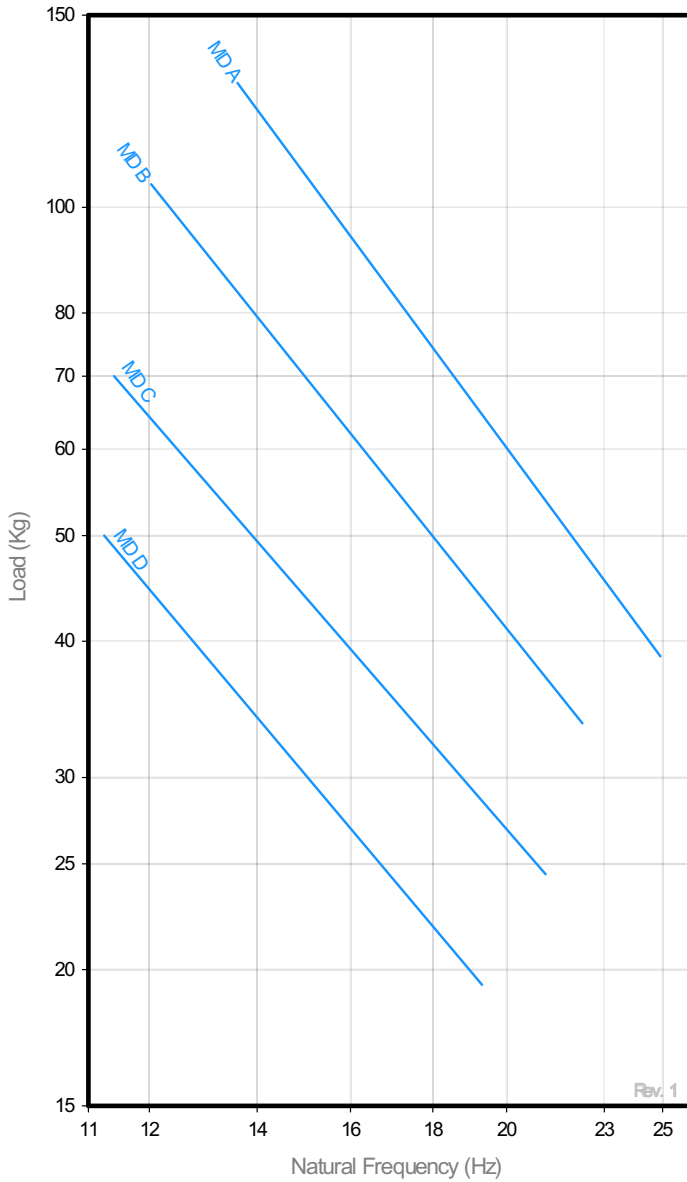


DIMENSIONS

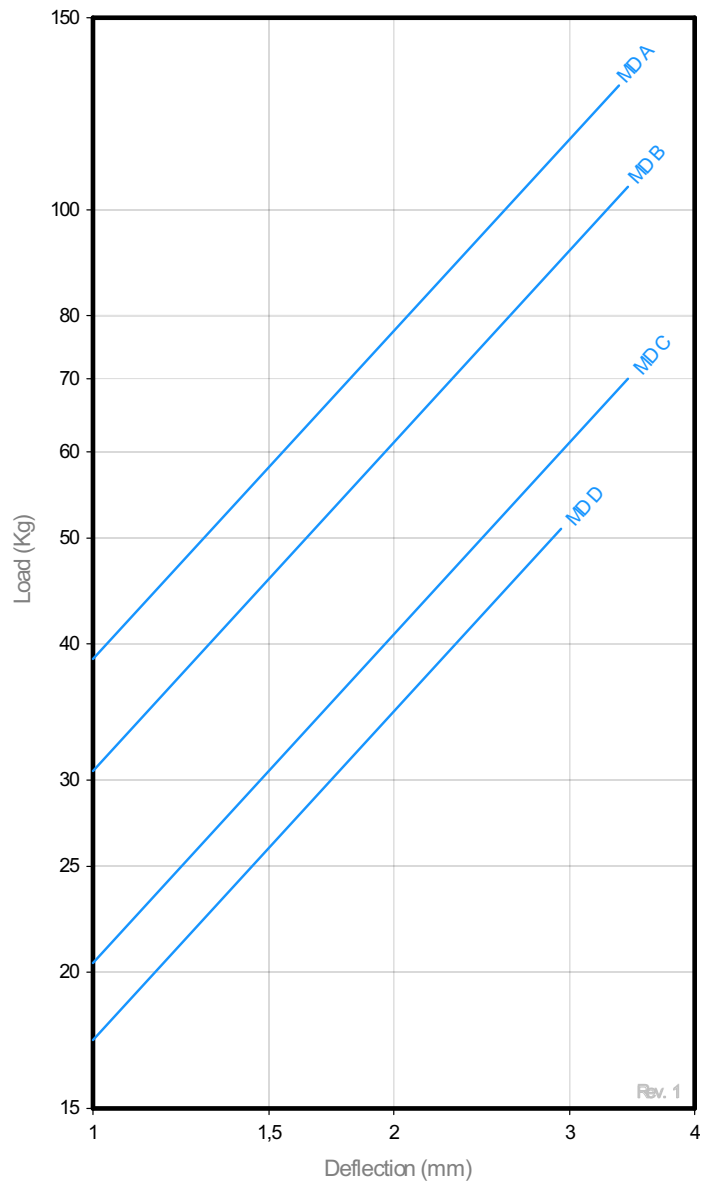
Type	Tightening torque MAX (Nm)	Load (kg)	Weight (gr)	Code
A	55	130	238	135210
B	55	105	238	135212
C	55	70	238	135213
D	55	50	238	135219

Elastical properties

NATURAL FREQUENCY
AMC MECANOCAUCHO® SUPPORT MD



LOAD DEFLECTION GRAPH
AMC MECANOCAUCHO® SUPPORT MD



OPERATION AND ASSEMBLY



RECOMMENDATIONS FOR HOOD MOUNTS

The hood mounts should be installed between two parallel and perfectly flat surfaces. Mounts operating tilted or twisted do not work properly. This may be due to incorrect alignment, tolerances in the building of the chassis or over-tightened torque during the installation of the Antivibration mounts.

This applies to our marine-type, BSB, BRB or Mecanodamp mounts.

