

Akustik

CEILING MOUNTS AKUSTIK RAPID CEILING HANGER

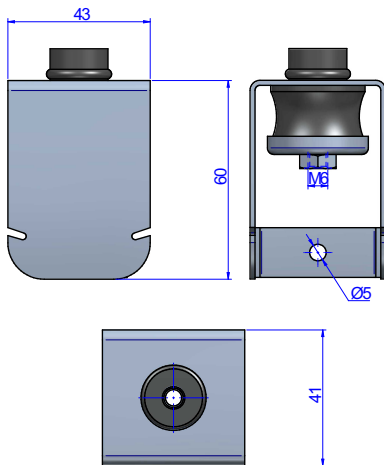


Range designed for suspension of suspended acoustic ceilings and machinery operating at more than 1.000 r.p.m. The same vibration damping element which is used throughout the Akustik range is made of rubber of high mechanical performance; it is specially designed for vibration damping. The metallic structure is designed to resist loads up to 650 kg. It is supplied with an anti-corrosive zinc-plated coat.






Akustik CEILING MOUNTS AKUSTIK RAPID CEILING HANGER

DRAWINGS

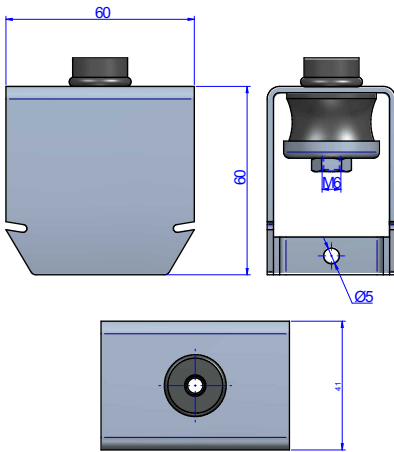


DIMENSIONS


	Type	SUMMARY	Load (kg)	Weight (kg)	Code
	Akustik Rapid T-47 A-45	Designed for easy and accesible fitting together with great strenght.	8-30	0,139	23145
	Akustik Rapid T-47 B-60	Designed for easy and accesible fitting together with great strenght.	25-60	0,139	23146
	Akustik Rapid T-60 A-45	Fitted to ceiling using an M-6 rod.	8-30	0,178	23143

Akustik CEILING MOUNTS AKUSTIK RAPID CEILING HANGER

DRAWINGS



DIMENSIONS

	Type	SUMMARY	Load (kg)	Weight (kg)	Code
	Akustik Rapid T-60 B-60	Fitted to ceiling using an M-6 rod.	25-60	0,178	23144