

Akustik

CEILING MOUNTS AKUSTIK SIERRA CEILING HANGER



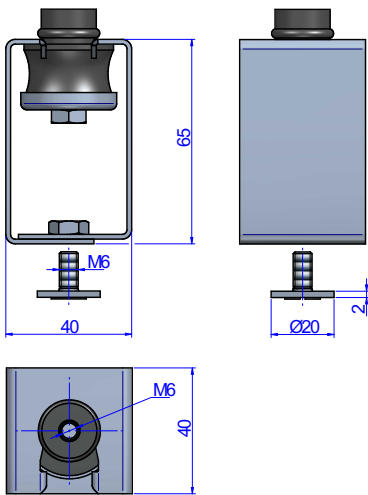
Range designed for suspension of suspended acoustic ceilings and machinery operating at more than 1.000 r.p.m. The same vibration damping element which is used throughout the Akustik range is made of rubber of high mechanical performance; it is specially designed for vibration damping. The metallic structure is designed to resist loads up to 650 kg. It is supplied with an anti-corrosive zinc-plated coat.



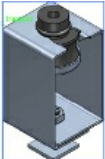

Akustik

CEILING MOUNTS AKUSTIK SIERRA CEILING HANGER

DRAWINGS



DIMENSIONS

	Type	SUMMARY	Load (kg)	Weight (kg)	Code
	Akustik Saw A-45	Fitted directly to ceiling using two holes.	8-30	0,132	23861
	Akustik Saw B-60	Fitted directly to ceiling using two holes.	25-60	0,132	23862