

Anti vibration
mounts

AKUSTIK GB

AMC
MECANOCAUCHO
NOISE AND
VIBRATION
SOLUTIONS



These simple but effective acoustic hangers are designed for the installation of suspended ceilings. They can also be used to isolate machinery operating at more than 1000rpm.


TECHNICAL CHARACTERISTICS

High quality natural rubber is used as the vibration isolation element which gives excellent isolation performance over a wide frequency range. The rubber is either Shore 45 or 60 hardness depending on the load capacity required.

The base plate is designed for maximum flexible in all types of installations and the integrated nut allows for quick fixing of a suspension rod.

All metal parts have anti-corrosion zinc-plating.



 AMC MECANOCAUCHO
Industrialdea Zona A - Pab. 35.
Asteasu E-20159, Gipuzkoa
Spain

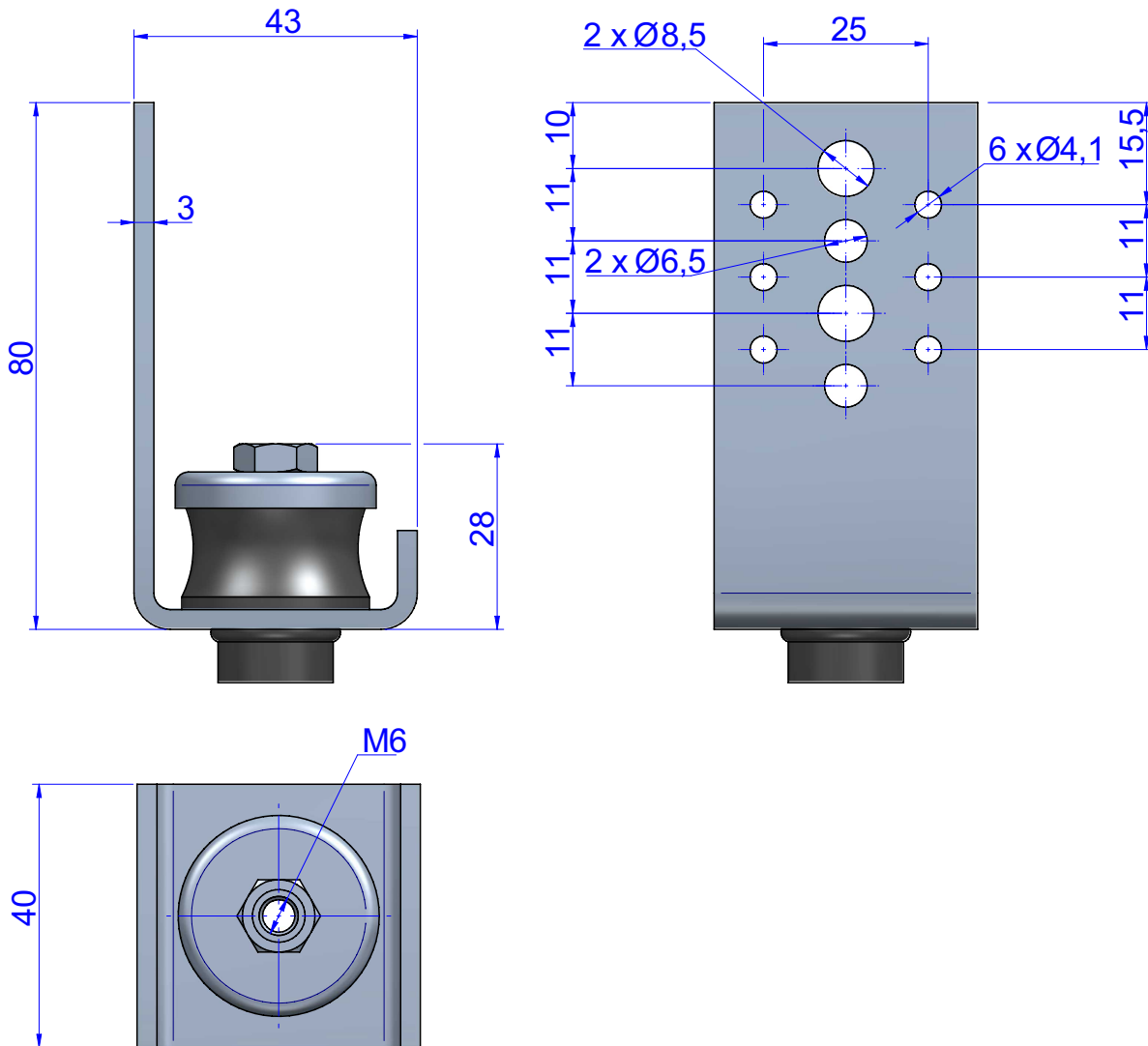
 Tel.: +34 943 69 61 02
Fax: +34 943 69 62 19

 sales@amcsa.es

 www.mecanocaucho.com
www.akustik.com

In order to adapt its products to the state of the art, AMC S.A. reserves the right to modify the conception and manufacture of the materials presented in this catalogue without prior notice.

DRAWINGS

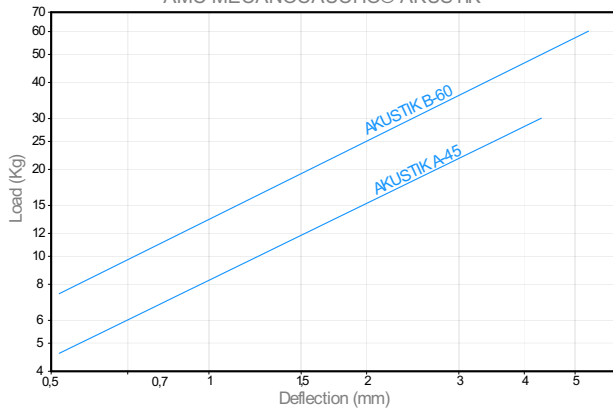


DIMENSIONS

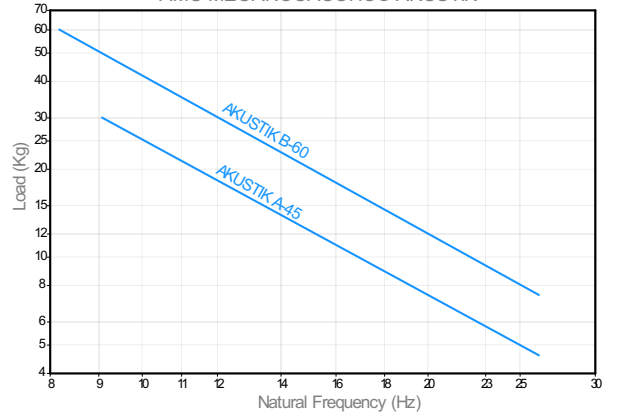
Type	Weight (kg)	Shore	Max. Load (kg)	Code
AKUSTIK GB	0,13	45 Sh	30	23103
		60 Sh	60	23104

Elastical properties

LOAD DEFLECTION GRAPH
AMC MECANOCAUCHO® AKUSTIK



NATURAL FREQUENCY
AMC MECANOCAUCHO® AKUSTIK



ISOLATION % AND ATTENUATION IN dB
AMC MECANOCAUCHO® AKUSTIK

