

Anti vibration
mounts


SPRINGTEC TYPE 2



Range designed for suspensions of suspended acoustic ceilings and machinery working at more than 450 r.p.m. Manufactured with piano tail quality spring of great mechanical resistance guided by two rubber plates with integral end stops to prevent contact between spirals when overloading.

AMC
MECANOCAUCHO
NOISE AND
VIBRATION
SOLUTIONS



 **AMC MECANOCAUCHO**
Industrialdea Zona A - Pab. 35.
Asteasu E-20159, Gipuzkoa
Spain

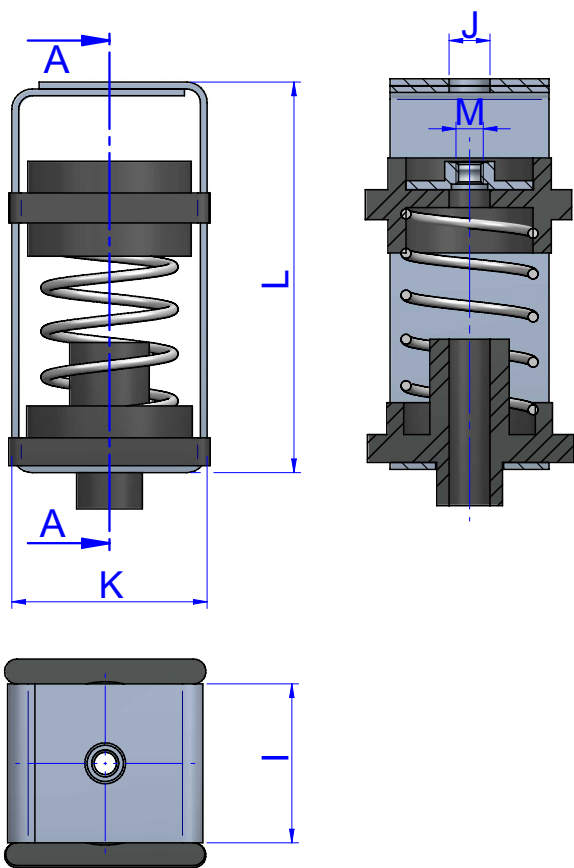
 Tel.: +34 943 69 61 02
Fax: +34 943 69 62 19

 sales@amcsa.es

 www.mecanocaucho.com
www.akustik.com

In order to adapt its products to the state of the art, AMC S.A. reserves the right to modify the conception and manufacture of the materials presented in this catalogue without prior notice.

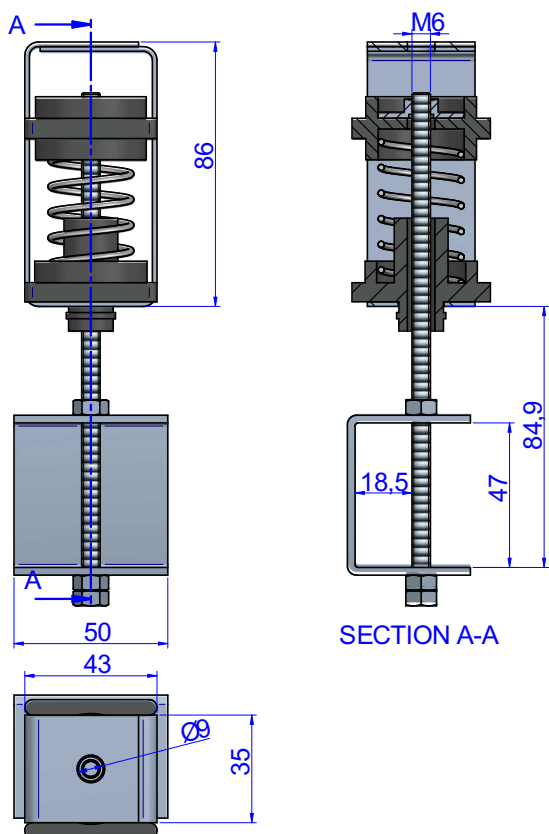
DRAWINGS



DIMENSIONS

Type	MAX PERMANENT LOAD (kg)	Spring color	I (mm)	J (mm)	K (mm)	L (mm)	M	Weight (kg)	Code
Springtec ST-5 Type 2	5	Silver	35	Ø 9	43	86	M-6	0,164	23314
Springtec ST-10 Type 2	10	White	35	Ø 9	43	86	M-8	0,162	23330
			35	Ø 9	43	86	M-6	0,164	23305
Springtec ST-20 Type 2	20	Yellow	35	Ø 9	43	86	M-8	0,162	23332
			35	Ø 9	43	86	M-6	0,167	23307
Springtec ST-30 Type 2	30	Blue	35	Ø 9	43	86	M-8	0,162	23325
			35	Ø 9	43	86	M-6	0,162	23309
Springtec ST-60 Type 2	60	Magenta	35	Ø 9	43	86	M-8	0,198	23324
			35	Ø 9	43	86	M-6	0,198	23311

DRAWINGS

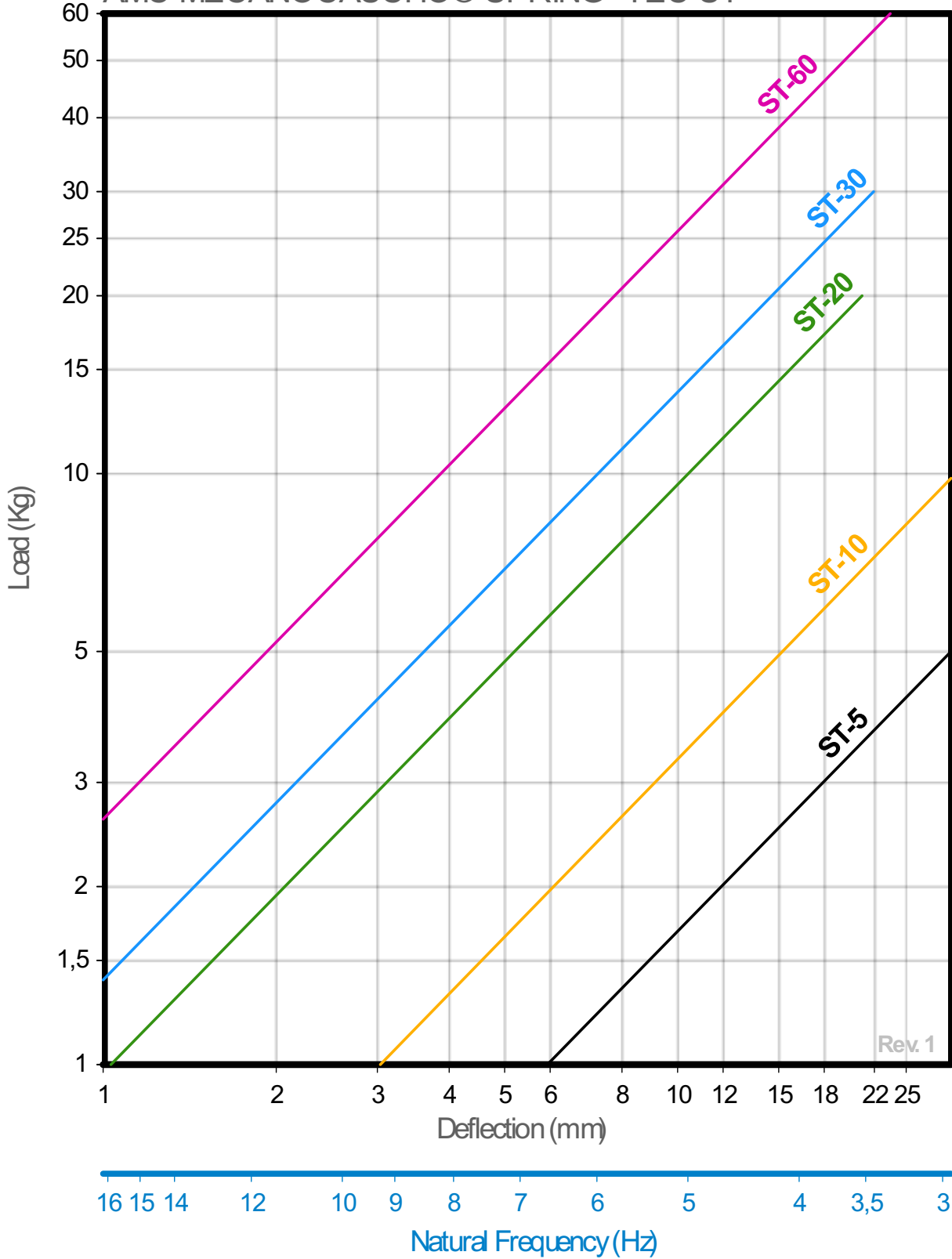


DIMENSIONS

Type	MAX PERMANENT LOAD (kg)	Spring color	Weight (kg)	Code
Springtec ST-5 Type 2 UK	5	Silver	0	25316
Springtec ST-10 Type 2 UK	10	White	0	25317
Springtec ST-20 Type 2 UK	20	Yellow	0	25318
Springtec ST-30 Type 2 UK	30	Blue	0	25319
Springtec ST-60 Type 2 UK	60	Magenta	0	25320

Elastical properties

LOAD DEFLECTION GRAPH
AMC MECANOCAUCHO® SPRING TEC ST



Rev. 1