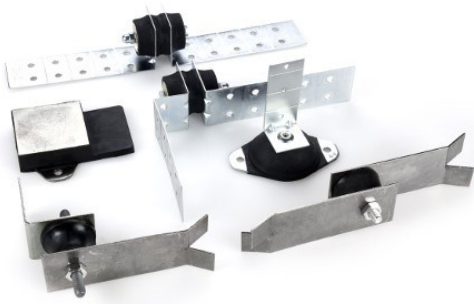
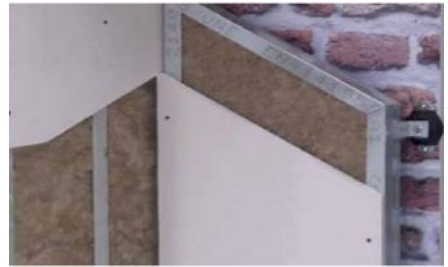


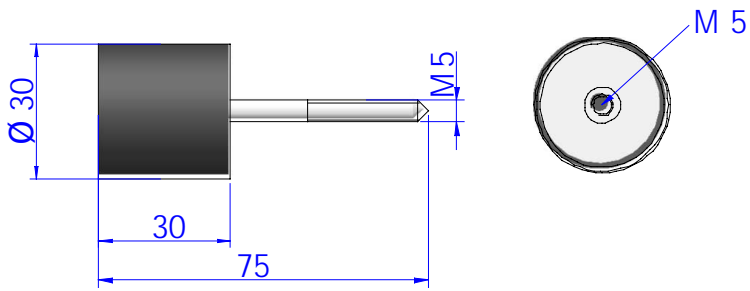
EP ACOUSTIC WALL TIES




The EP acoustic wall ties are manufactured in multiple formats to suit the different installation techniques. They are specially interesting for the fixation of walls exceeding 3,5m height. The EP mounts should be installed 1,5 meters in height. Example: Wall of 4,5 metres, the EP mounts should be installed at 1.5 and 3.



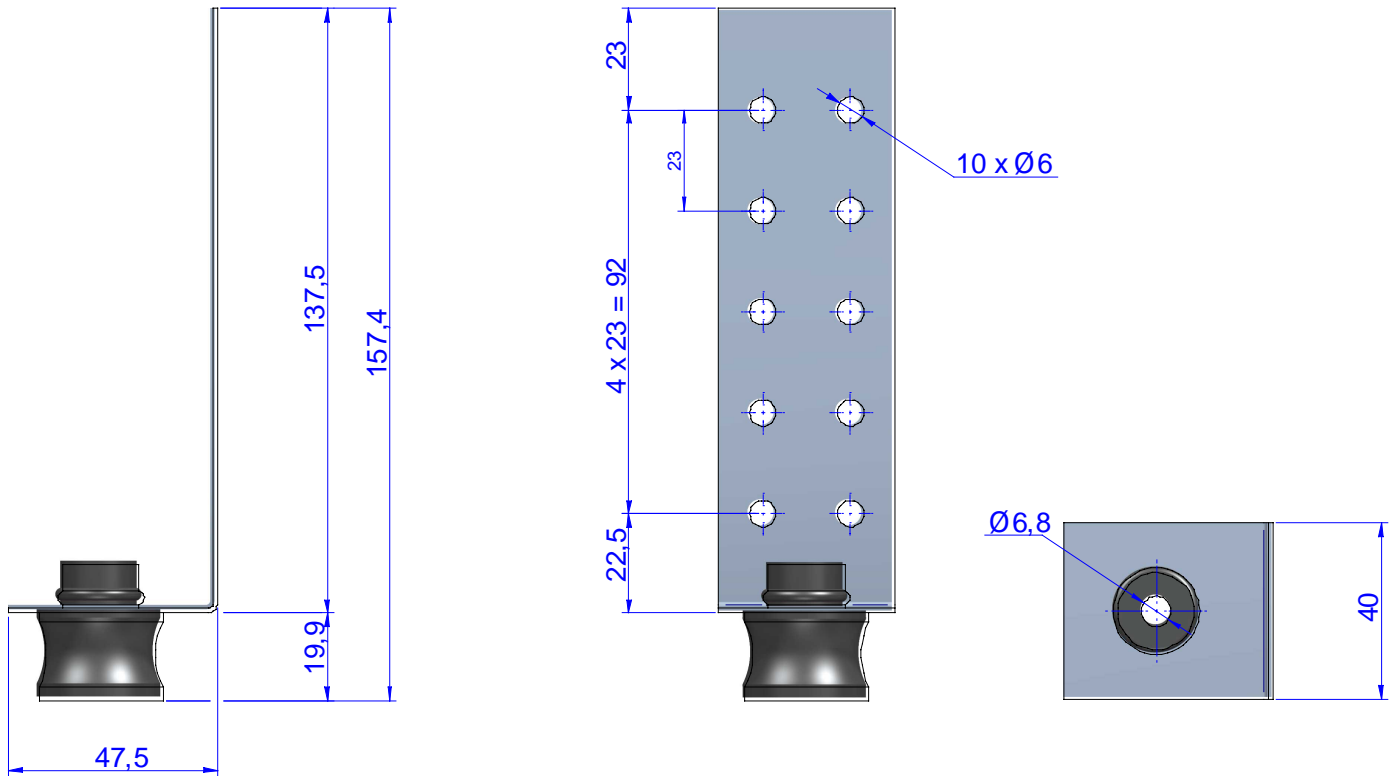
DRAWINGS



DIMENSIONS

	Type	SUMMARY	Load (kg)	Weight (kg)	Code
	E.P. 100	Mount designed for vibration damping of walls, equipped with long ring-attached screws for threading onto wooden or plastified walls. Maximum load per damper 10 kg.	-	0,046	24001

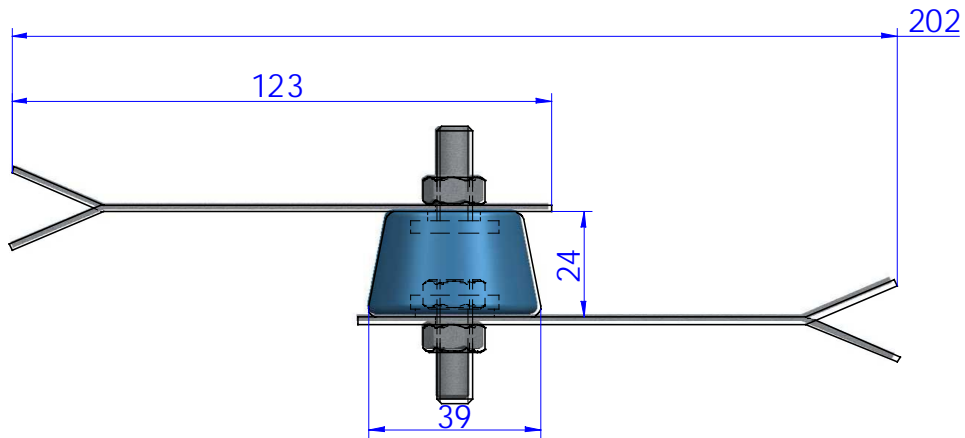
DRAWINGS




DIMENSIONS

	Type	SUMMARY	Load (kg)	Weight (kg)	Code
	E.P. 150	Mount designed for vibration damping of walls, equipped with long ring-attached screws for threading onto wooden or plastified walls. Maximum load per damper 10 kg.	-	-	24015

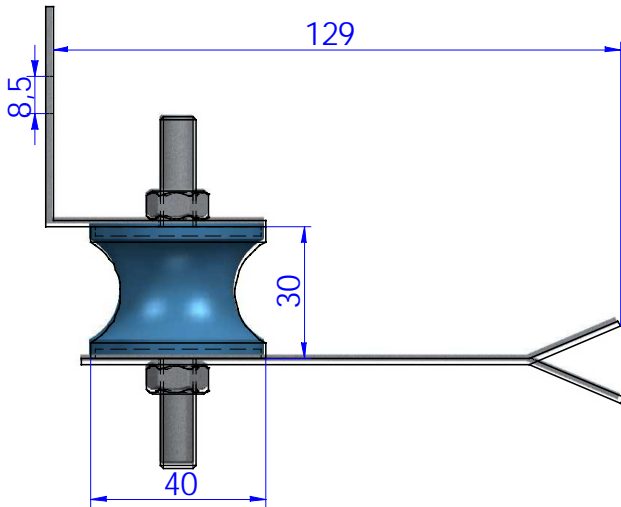
DRAWINGS




DIMENSIONS

	Type	SUMMARY	Load (kg)	Weight (kg)	Code
	E.P. 200	Mount designed for vibration damping of walls, equipped with flanges for fitting onto concrete. Maximum load per damper 10 kg.	-	0,224	24002

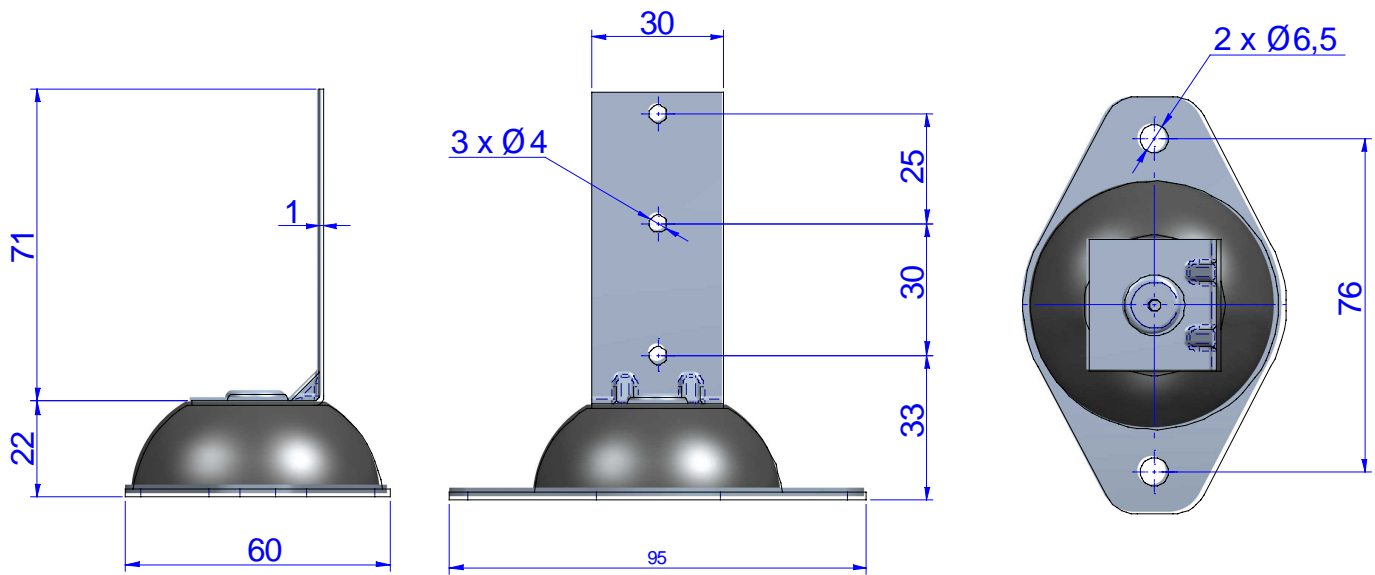
DRAWINGS




DIMENSIONS

	Type	SUMMARY	Load (kg)	Weight (kg)	Code
	E.P. 300	Mount designed for vibration damping of walls, equipped with flange and angle for fitting onto concrete and threaded. Maximum load per damper 10 kg.	-	0,222	24003

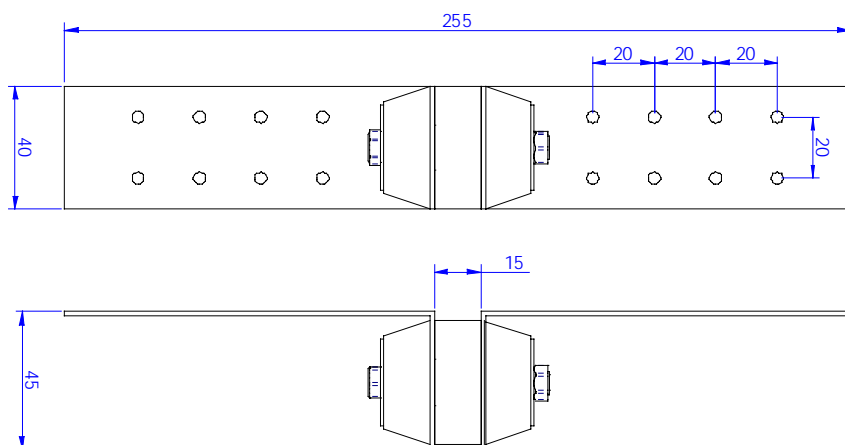
DRAWINGS




DIMENSIONS

	Type	SUMMARY	Load (kg)	Weight (kg)	Code
	E.P. 400	This mount is designed to be screwed to the profile, with the possibility of choosing different distances thanks to its 3 holes. The anchoring in to the wall is made by 2 fixing flanges.	-	0,1	24004

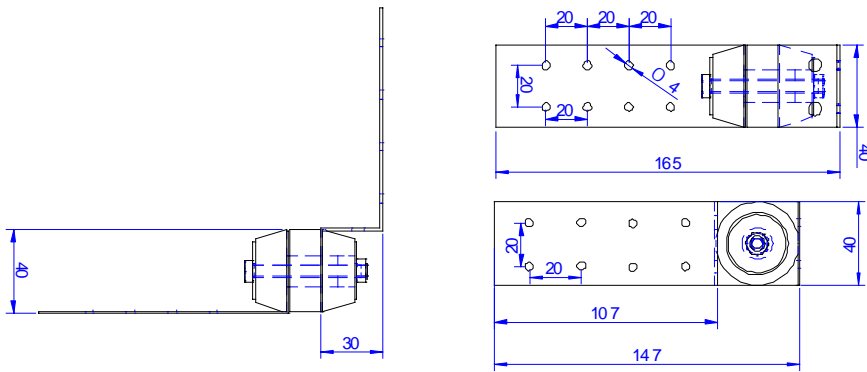
DRAWINGS




DIMENSIONS

	Type	SUMMARY	Load (kg)	Weight (kg)	Code
	E.P. 600	This damper is conceived to be fixed between two elements through two metal parts with "pre-drilled holes". The metal parts are easy to cut in order to adapt better to each work.	-	0,185	24008

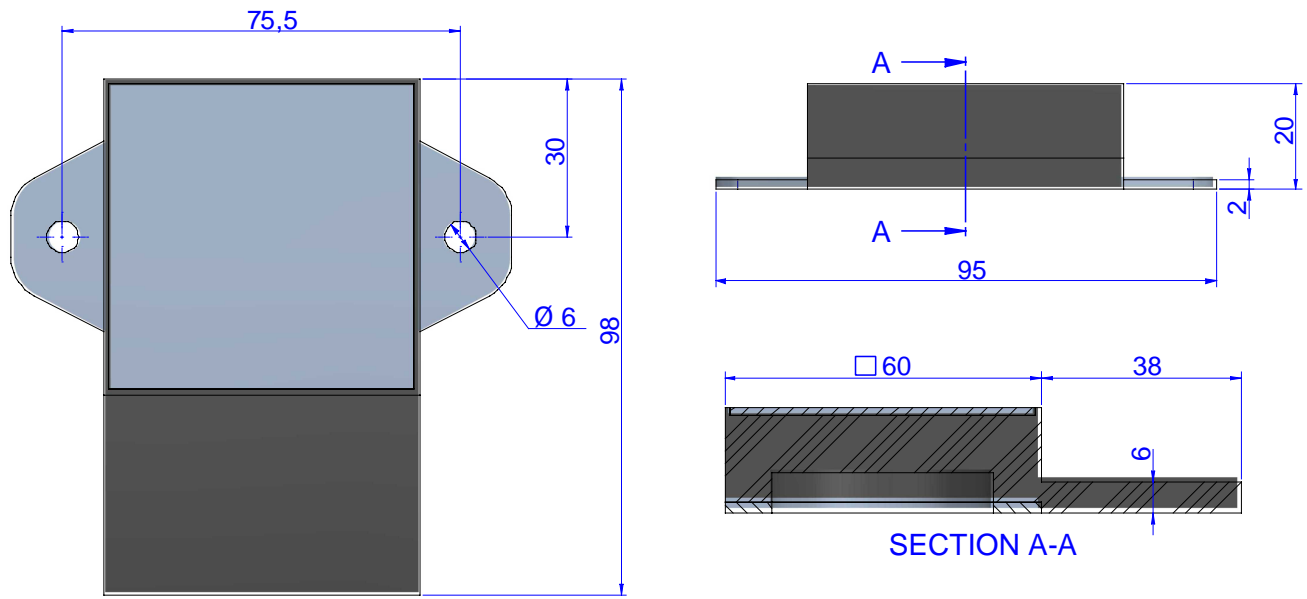
DRAWINGS




DIMENSIONS

	Type	SUMMARY	Load (kg)	Weight (kg)	Code
	E.P. 650	<p>This damper is conceived to be fixed between two elements through two metal parts with "pre-drilled holes". The metal parts are easy to cut in order to adapt better to each work. Following this idea we can realise a great amount of variants in order to adapt better to each work. Please enquire us if you need a more adapted system for your work.</p>	-	0,185	24009

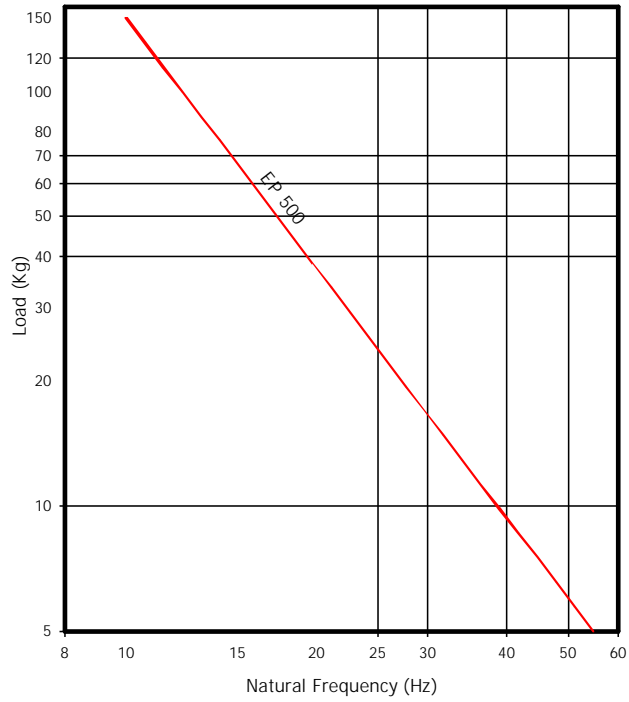
DRAWINGS



DIMENSIONS

	Type	SUMMARY	Load (kg)	Weight (kg)	Code
	E.P. 500	This mount is designed to be screwed to the profile, with the possibility of choosing different distances thanks to its 3 holes. The anchoring in to the wall is made by 2 fixing flanges.	150	0,135	23156

Elastical properties

NATURAL FREQUENCY
MECANOCAUCHO® EP 500LOAD DEFLECTION CURV E
MECANOCAUCHO® EP 500