

# BASE SERIES

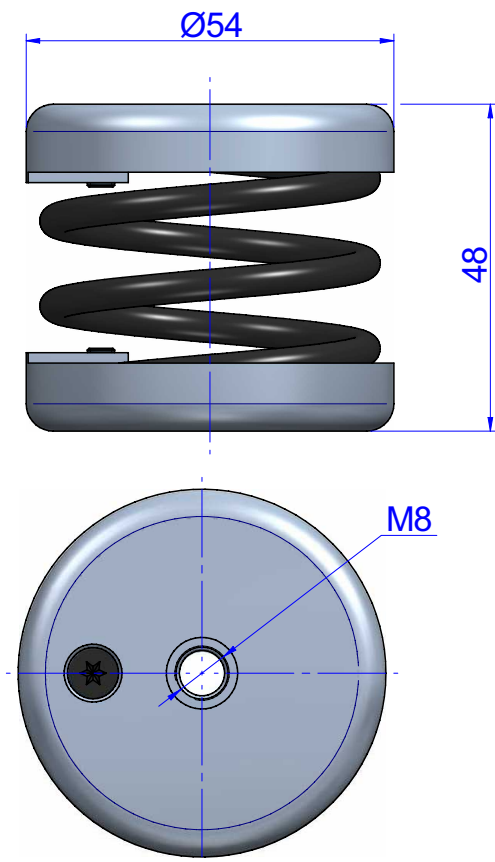


Spring mount is necessary in all machinery, which, by virtue of its design, has reciprocating or rotating parts, creates vibration to some degree through the imbalance of the moving parts.

This vibration produced by a machine leads to different problems, such as a reduction in the machine's useful life through part wear, plus the transmission of this vibration to other non-insulated adjacent structures, giving rise to problems of noise and vibration transmission. It is therefore important to install a spring mount to machinery.



DRAWINGS



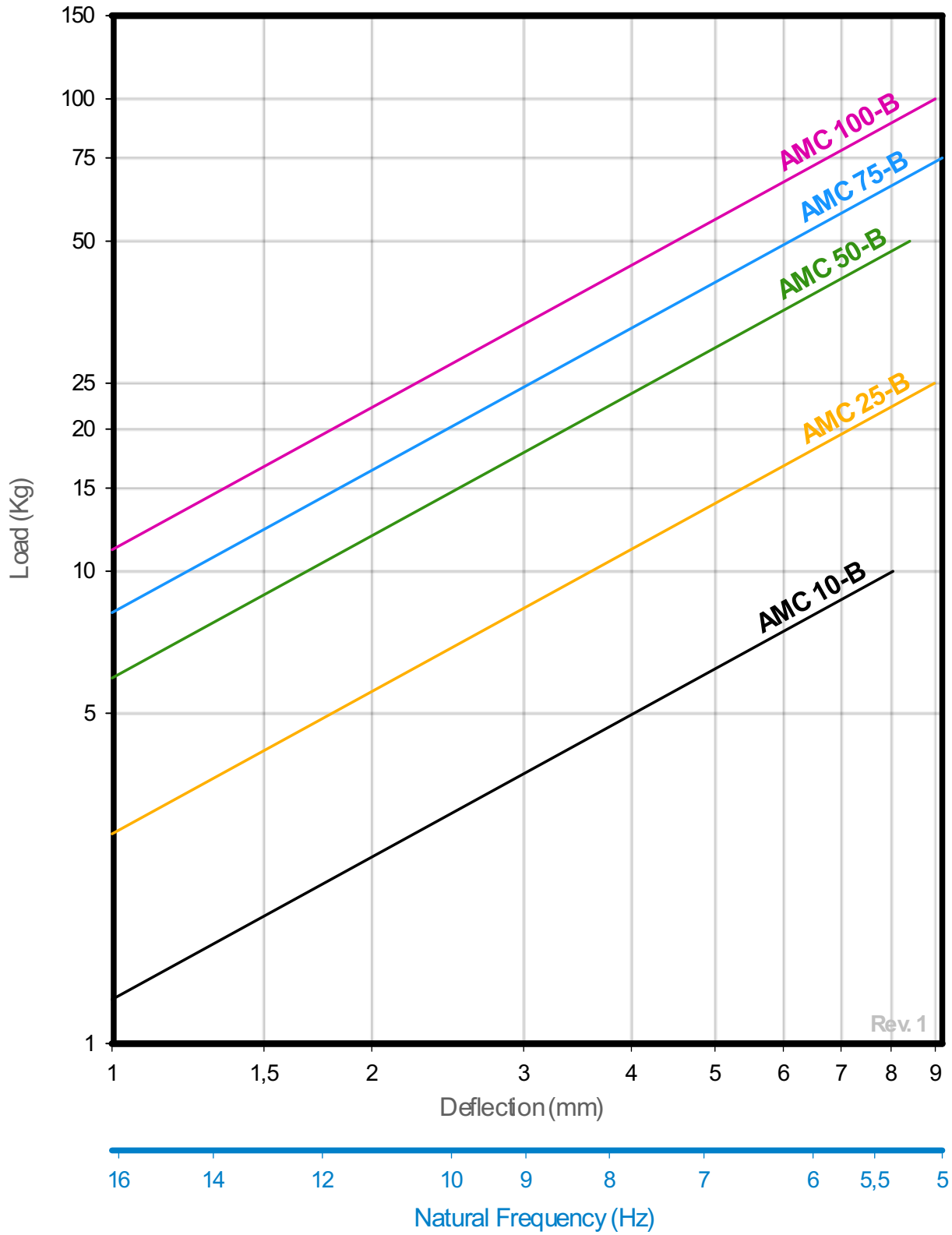
DIMENSIONS

Type	Spring color	M	Max. Load (kg)	Weight (kg)	Code
AMC 10-B	BLACK	M-8	10	0,2	20171
AMC 25-B	BLACK	M-8	25	0,205	20173
AMC 50-B	BLACK	M-8	50	0,254	20175
AMC 75-B	BLACK	M-8	75	0,26	20177
AMC 100-B	BLACK	M-8	100	0,29	20179

Elastical properties

**LOAD DEFLECTION GRAPH**

**AMC MECANOCAUCHO® BASE SERIES**



Rev. 1