

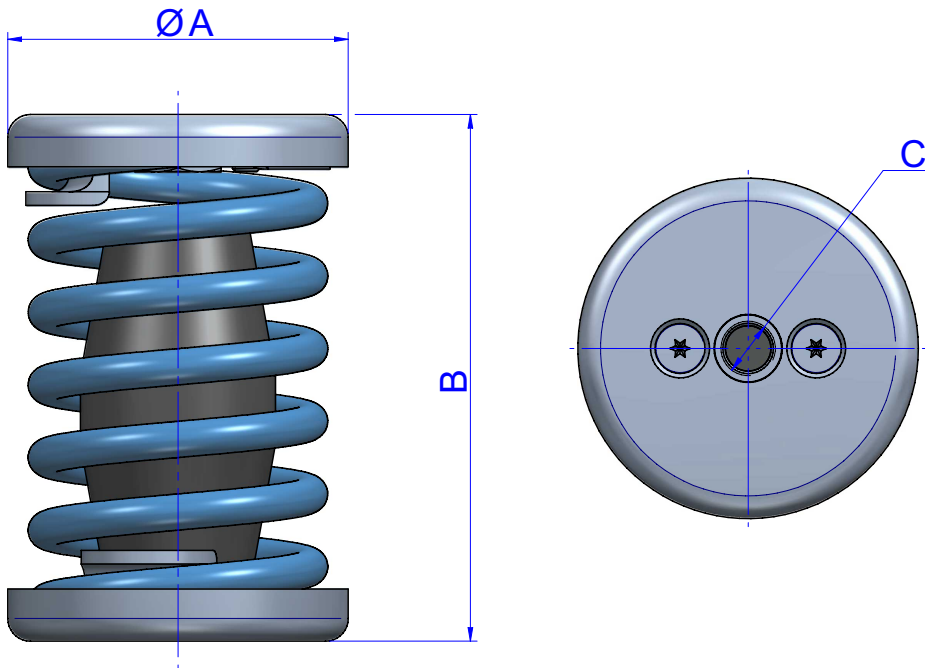
1 AMC DOUBLE BOWL



With dual cup springs, you can do yourself the installation of the springs.



DRAWINGS

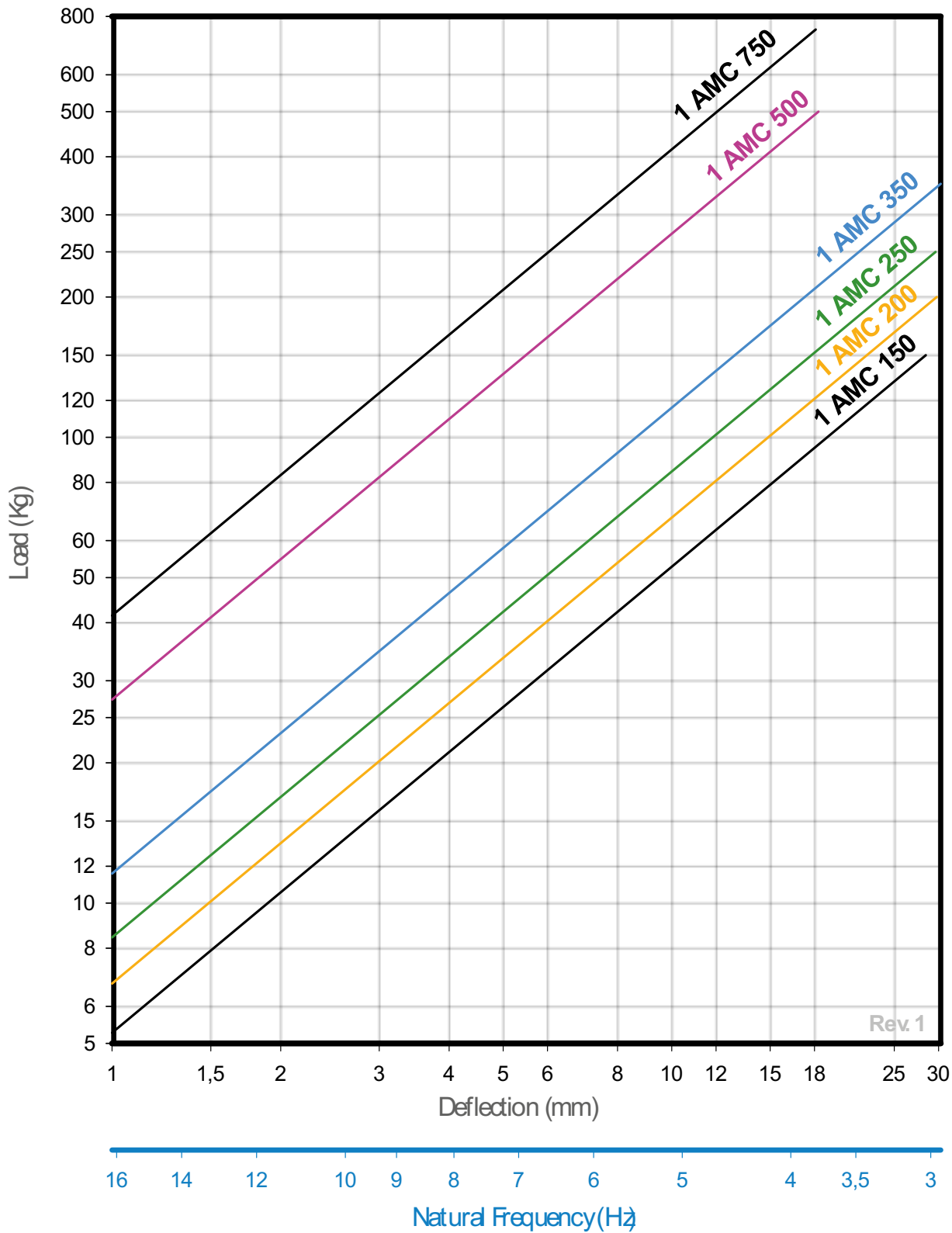


DIMENSIONS

Type	Spring color	A (mm)	B (mm)	C (mm)	Max. Load (kg)	Weight (kg)	Code
150	BLUE	75	116	M-12	150	1,102	20309
200	WHITE	75	116	M-12	200	1,138	20310
250	BLACK	75	116	M-12	250	1,225	20320
350	CREAM	75	116	M-12	350	1,392	20330
500	LIGHT GREY	90	116	M-12	500	2,56	20340
750	GREEN	90	116	M-12	750	2,56	20350

Elastical properties

LOAD DEFLECTION GRAPH
AMC MECANOCAUCHO® 1 AMC



Rev. 1