



This range of mounts comprises:

A spring high elasticity and very low natural frequency

An incorporated levelling system

A non-slip rubber base

A spare Sylomer to isolate mid and high frequencies comes standard

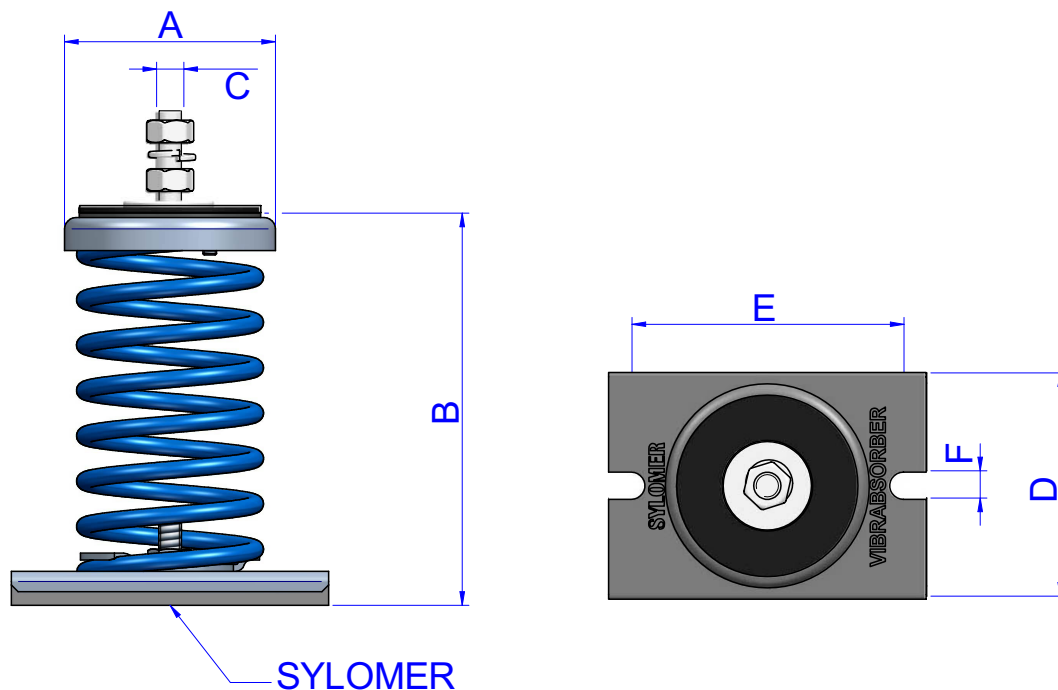
TECHNICAL CHARACTERISTICS

The mounts are able to reach low natural frequencies from 2 to 5 Hz. The spring combined with sylomer® is able to provide high isolation at low and medium frequencies.

The curves are showing the deflection and natural frequencies according to the load of the spring. Temperature working range from -30 to 70°. Short term higher temperatures are possible.



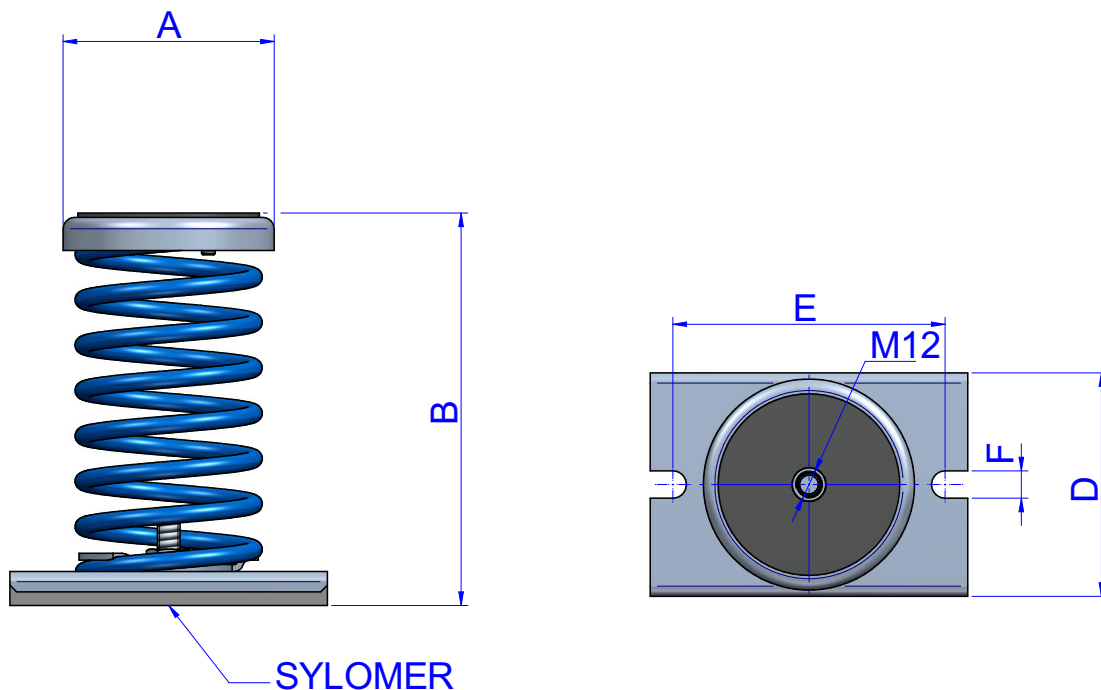
DRAWINGS



DIMENSIONS

Type	Spring color	A (mm)	B (mm)	C (mm)	D (mm)	E (mm)	F (mm)	Max. Load (kg)	Weight (kg)	K (N/mm)	Code
V-SH	BLUE	93	173	M12	98,5	120	12	67	1,48	13	20397
	WHITE	93	173	M12	98,5	120	12	95	1,53	19	20465
	BLACK	93	173	M12	98,5	120	12	123	1,56	25	20398
	BEIGE	93	173	M12	98,5	120	12	173	1,65	35	20466
	RED	93	173	M12	98,5	120	12	223	2,11	43	20399
	GREY	93	173	M12	98,5	120	12	335	2,32	68	20467
	GREEN	93	173	M12	98,5	120	12	446	2,52	88	20400
	BROWN	93	173	M12	98,5	120	12	700	2,52	150	20464

DRAWINGS



DIMENSIONS

Type	Spring color	A (mm)	B (mm)	C (mm)	D (mm)	E (mm)	F (mm)	Max. Load (kg)	Weight (kg)	K (N/mm)	Code
V-SH WITHOUT-KIT	BLUE	93	173	M12	98,5	120	12	67	1,616	13	21001
	WHITE	93	173	M12	98,5	120	12	95	1,668	19	21002
	BLACK	93	173	M12	98,5	120	12	123	1,694	25	21003
	BEIGE	93	173	M12	98,5	120	12	173	1,786	35	21004
	RED	93	173	M12	98,5	120	12	223	2,154	43	21005
	GREY	93	173	M12	98,5	120	12	335	2,327	68	21006
	GREEN	93	173	M12	98,5	120	12	446	2,628	88	21007
	BROWN	93	173	M12	98,5	120	12	700	1,542	150	20462

Elastical properties

LOAD DEFLECTION GRAPH
AMC MECANOCAUCHO® V-SH

