

2V-SH



This range of mounts comprises:

- A spring high elasticity and very low natural frequency
- An incorporated levelling system
- A non-slip rubber base
- A spare Sylomer® to isolate mid and high frequencies comes standard

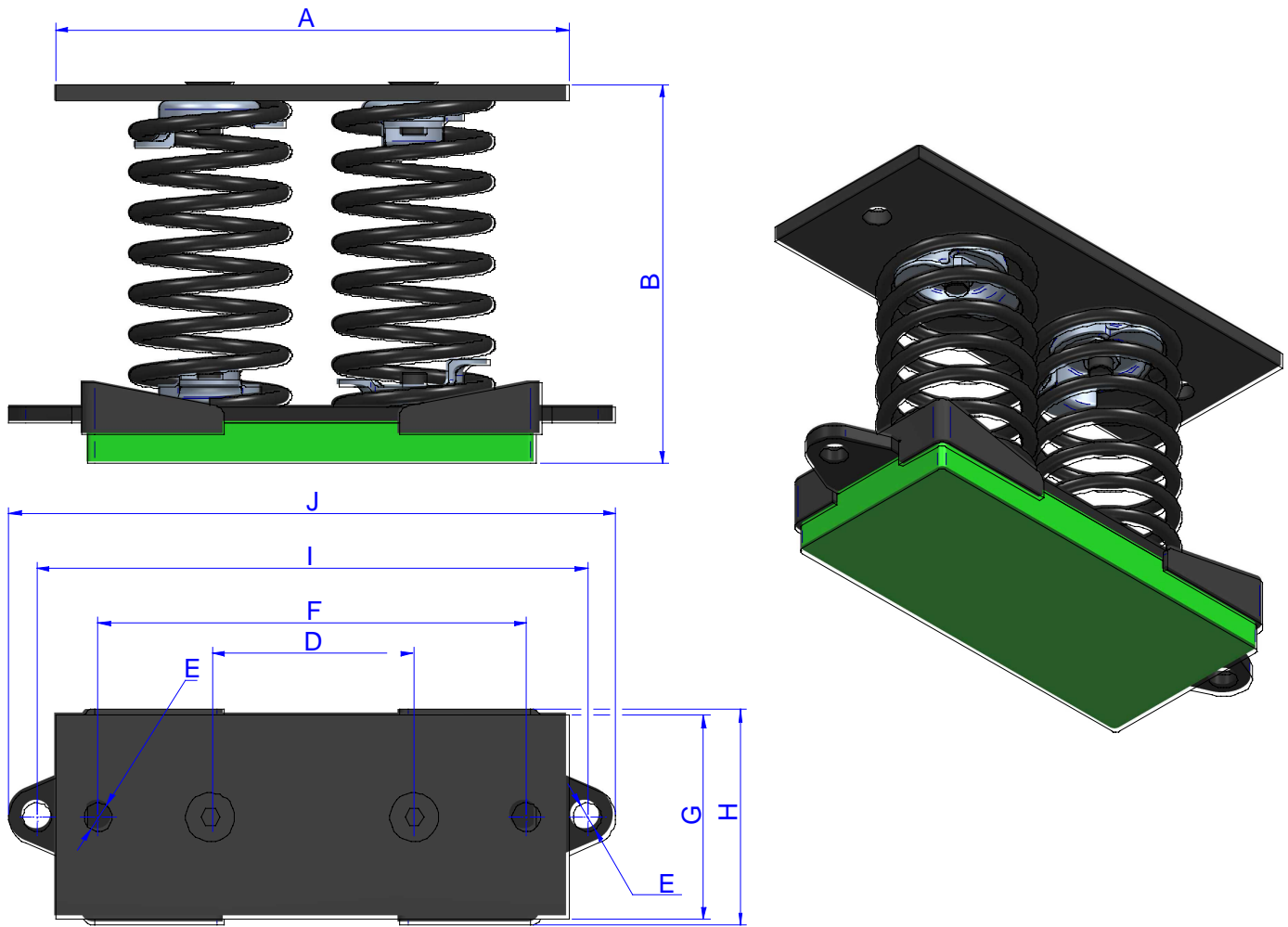
TECHNICAL CHARACTERISTICS

The mounts are able to reach low natural frequencies from 2 to 5 Hz. The spring combined with sylomer® is able to provide high isolation at low and medium frequencies.

The curves are showing the deflection and natural frequencies according to the load of the spring. Temperature working range from -30 to 70°. Short term higher temperatures are possible.



DRAWINGS



DIMENSIONS

Type	Spring color	D (mm)	A (mm)	B (mm)	E (mm)	F (mm)	G (mm)	H (mm)	I (mm)	J (mm)	Load (kg)	Weight (kg)	Code
2V-SH 134	BLUE	100	250	180	14	210	100	106	270	298	134	5.04	20405
2V-SH 190	WHITE	100	250	180	14	210	100	106	270	298	190	5.15	21010
2V-SH 246	BLACK	100	250	180	14	210	100	106	270	298	226	5.20	20406
2V-SH 346	BEIGE	100	250	180	14	210	100	106	270	298	346	5.38	21011
2V-SH 446	RED	100	250	180	14	210	100	106	270	298	446	6.12	20407
2V-SH 670	GREY	100	250	180	14	210	100	106	270	298	670	6.52	21012
2V-SH 892	GREEN	100	250	180	14	210	100	106	270	298	892	7.06	20408
2V-SH 1400	BROWN	100	250	180	14	210	100	106	270	298	1400	6,91	21015

Elastical properties

LOAD DEFLECTION CURVE
VIBRABSORBER 2V-SH

