

Anti vibration  
mounts

## 4V-SH



This range of mounts comprises:

A spring high elasticity and very low natural frequency

An incorporated levelling system

A non-slip rubber base

A spare Sylomer to isolate mid and high frequencies comes standard

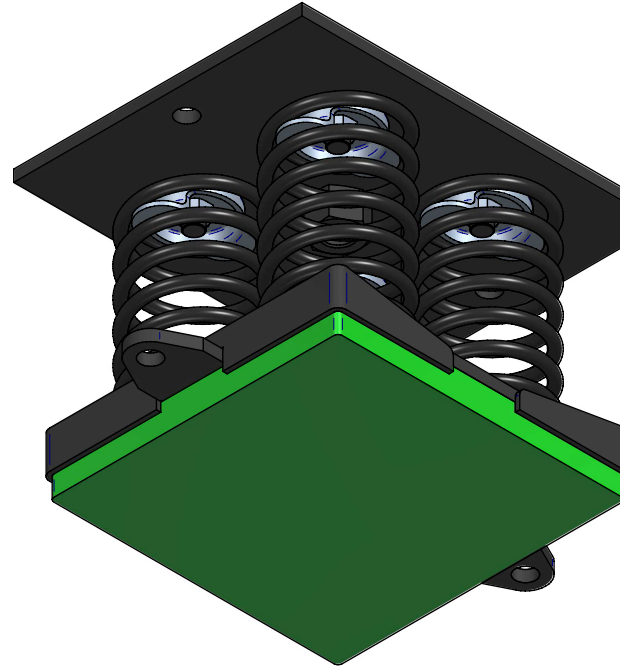
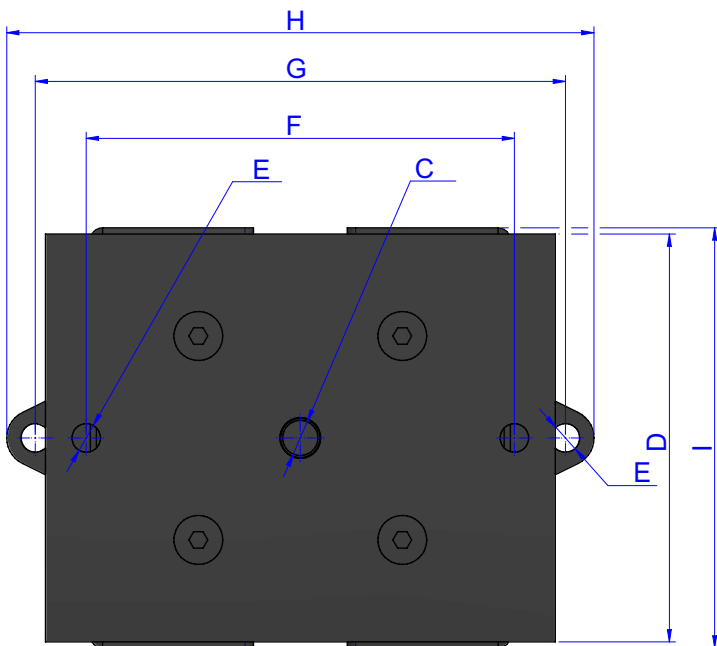
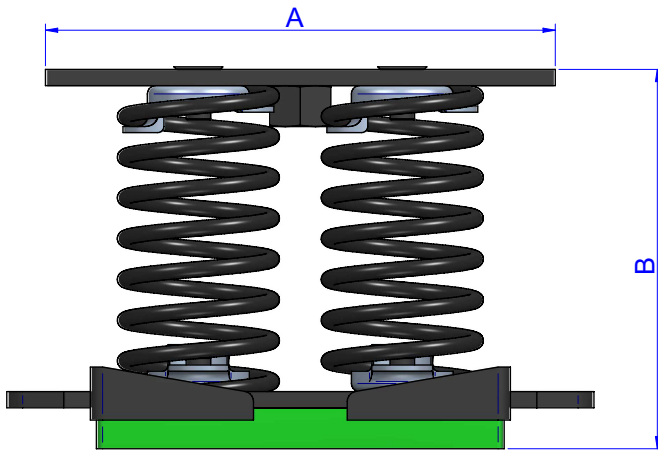
### TECHNICAL CHARACTERISTICS

The mounts are able to reach low natural frequencies from 2 to 5 Hz. The spring combined with sylomer® is able to provide high isolation at low and medium frequencies.

The curves are showing the deflection and natural frequencies according to the load of the spring. Temperature working range from -30 to 70°. Short term higher temperatures are possible.



DRAWINGS



DIMENSIONS

Type	Spring color	A (mm)	B (mm)	C (mm)	D (mm)	E (mm)	F (mm)	G (mm)	H (mm)	I (mm)	Load (kg)	Weight (kg)	Code
4V-SH 268	BLUE	250	180	M20	200	14	210	260	288	206	268	11,15	21030
4V-SH 380	WHITE	250	180	M20	200	14	210	260	288	206	380	11,95	21031
4V-SH 492	BLACK	250	180	M20	200	14	210	260	288	206	492	12,2	21032
4V-SH 692	BEIGE	250	180	M20	200	14	210	260	288	206	692	12,49	21033
4V-SH 892	RED	250	180	M20	200	14	210	260	288	206	892	12,72	21034
4V-SH 1340	GREY	250	180	M20	200	14	210	260	288	206	1340	13,14	21035
4V-SH 1784	GREEN	250	180	M20	200	14	210	260	288	206	1784	13,727	21036
4V-SH 2800	BROWN	250	180	M20	200	14	210	260	288	206	2800	13,727	21039

Elastical properties

**LOAD DEFLECTION GRAPH**  
**AMC MECANOCAUCHO® 4V-SH**

