

Anti vibration
mounts

5V-SH



This range of mounts comprises:

A spring high elasticity and very low natural frequency

An incorporated levelling system

A non-slip rubber base

A spare Sylomer to isolate mid and high frequencies comes standard

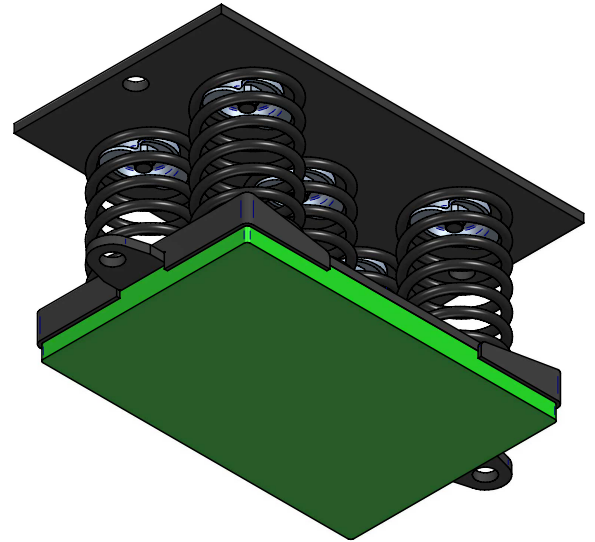
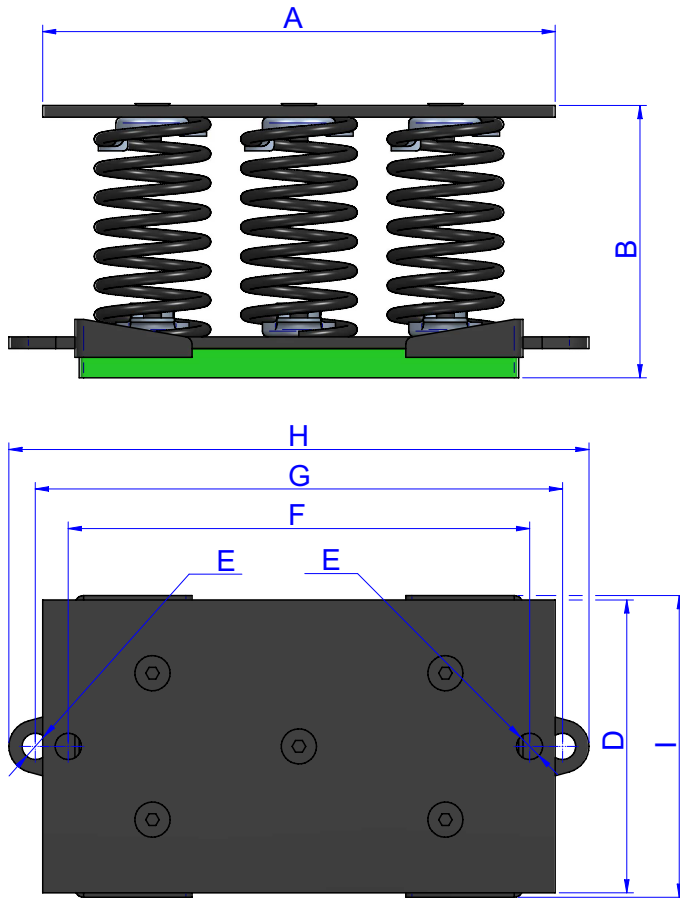
TECHNICAL CHARACTERISTICS

The mounts are able to reach low natural frequencies from 2 to 5 Hz. The spring combined with sylomer® is able to provide high isolation at low and medium frequencies.

The curves are showing the deflection and natural frequencies according to the load of the spring. Temperature working range from -30 to 70°. Short term higher temperatures are possible.



DRAWINGS



DIMENSIONS

Type	Spring color	A (mm)	B (mm)	D (mm)	E (mm)	F (mm)	G (mm)	H (mm)	I (mm)	Load (kg)	Weight (kg)	Code
5V-SH 335	BLUE	350	180	200	18	315	360	396	206	335	13,071	21040
5V-SH 475	WHITE	350	180	200	18	315	360	396	206	475	13,356	21041
5V-SH 615	BLACK	350	180	200	18	315	360	396	206	615	13,476	21042
5V-SH 865	BEIGE	350	180	200	18	315	360	396	206	865	13,926	21043
5V-SH 1115	RED	350	180	200	18	315	360	396	206	1115	15,781	21044
5V-SH 1675	GREY	350	180	200	18	315	360	396	206	1675	16,786	21045
5V-SH 2230	GREEN	350	180	200	18	315	360	396	206	2230	18,116	21046
5V-SH 3500	BROWN	350	180	200	18	315	360	396	206	3500	18,116	21049

Elastical properties

LOAD DEFLECTION GRAPH
AMC MECANOCAUCHO® 5V-SH

