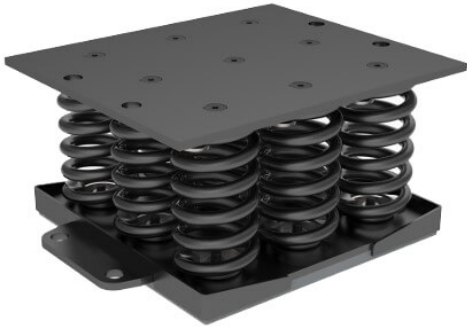


Anti vibration  
mounts

## 9V-SH



This range of mounts comprises:

- A spring high elasticity and very low natural frequency
- An incorporated levelling system
- A non-slip rubber base
- A spare Sylomer to isolate mid and high frequencies comes standard

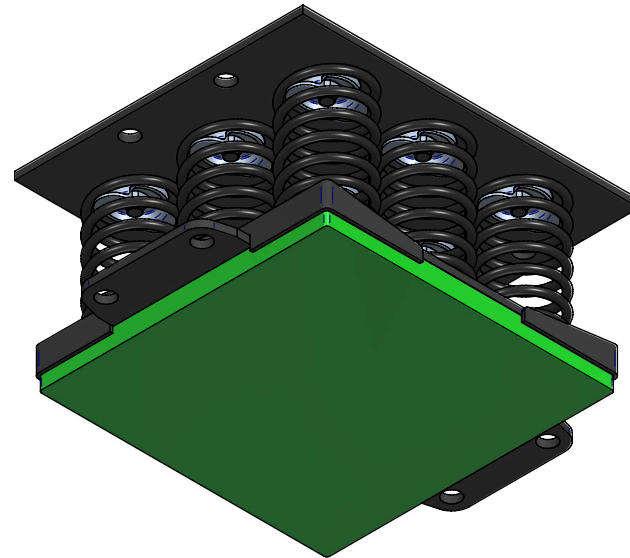
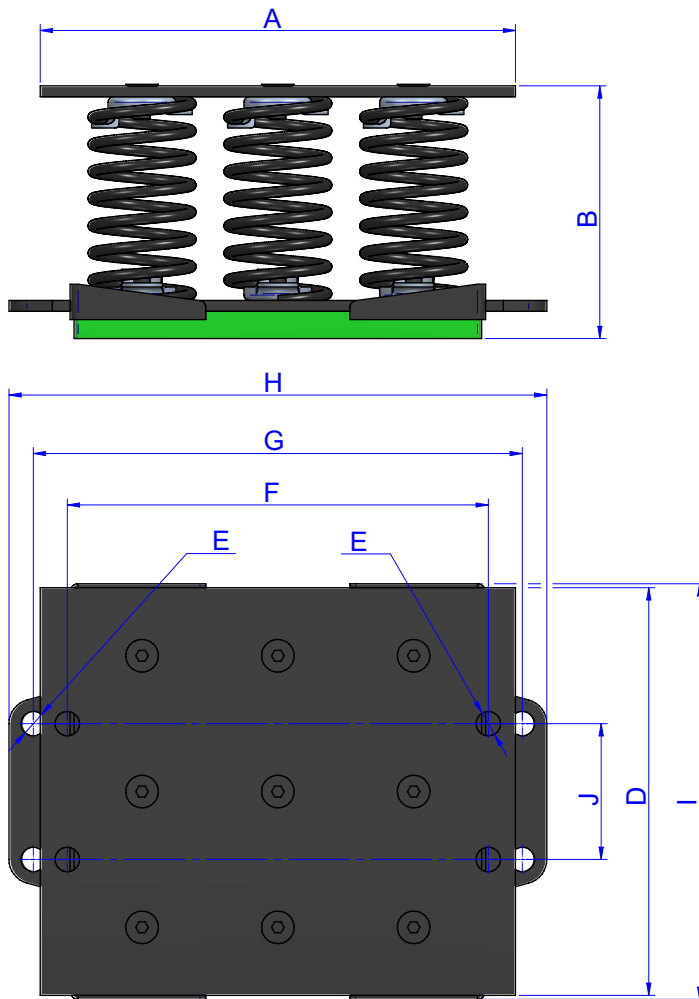
### TECHNICAL CHARACTERISTICS

The mounts are able to reach low natural frequencies from 2 to 5 Hz. The spring combined with sylomer® is able to provide high isolation at low and medium frequencies.

The curves are showing the deflection and natural frequencies according to the load of the spring. Temperature working range from -30 to 70°. Short term higher temperatures are possible.



DRAWINGS



DIMENSIONS

| Type       | Spring color | A<br>(mm) | B<br>(mm) | D<br>(mm) | E<br>(mm) | F<br>(mm) | G<br>(mm) | H<br>(mm) | I<br>(mm) | J<br>(mm) | Load<br>(kg) | Weight<br>(kg) | Code  |
|------------|--------------|-----------|-----------|-----------|-----------|-----------|-----------|-----------|-----------|-----------|--------------|----------------|-------|
| 9V-SH 603  | BLUE         | 350       | 180       | 300       | 18        | 310       | 360       | 396       | 306       | 100       | 603          | 21,176         | 21060 |
| 9V-SH 855  | WHITE        | 350       | 180       | 300       | 18        | 310       | 360       | 396       | 306       | 100       | 855          | 21,689         | 21061 |
| 9V-SH 1107 | BLACK        | 350       | 180       | 300       | 18        | 310       | 360       | 396       | 306       | 100       | 1107         | 21,905         | 21062 |
| 9V-SH 1557 | BEIGE        | 350       | 180       | 300       | 18        | 310       | 360       | 396       | 306       | 100       | 1557         | 22,715         | 21063 |
| 9V-SH 2007 | RED          | 350       | 180       | 300       | 18        | 310       | 360       | 396       | 306       | 100       | 2007         | 26,054         | 21064 |
| 9V-SH 3015 | GREY         | 350       | 180       | 300       | 18        | 310       | 360       | 396       | 306       | 100       | 3015         | 27,863         | 21065 |
| 9V-SH 4014 | GREEN        | 350       | 180       | 300       | 18        | 310       | 360       | 396       | 306       | 100       | 4014         | 30,257         | 21066 |
| 9V-SH 6300 | BROWN        | 350       | 180       | 300       | 18        | 310       | 360       | 396       | 306       | 100       | 6300         | 30,257         | 21069 |

Elastical properties

**LOAD DEFLECTION GRAPH**  
**AMC MECANOCAUCHO® 9V-SH**

