

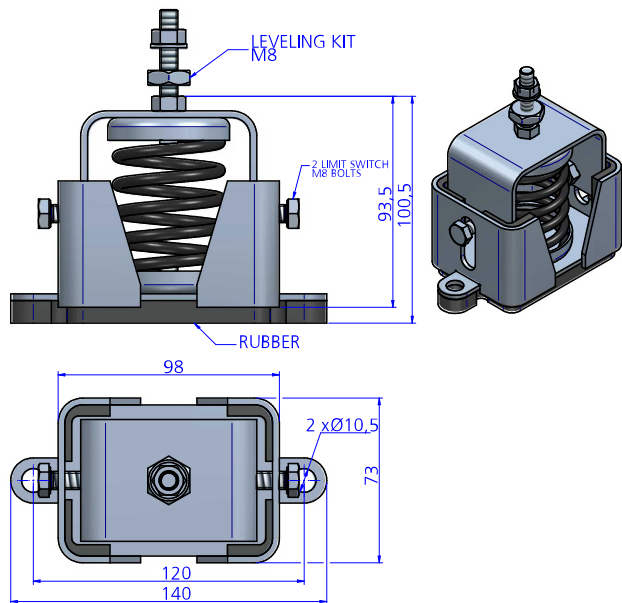
ANTI-SEISMIC MINI



These brackets are made of mechanical anchoring systems which ensure your unit applications static and provide high reliability for the isolation of low frequency vibrations. In order to improve their performance in seismic applications the technical department of AMC-MECANOCAUCHO designed a new internal architecture to resist such environments.



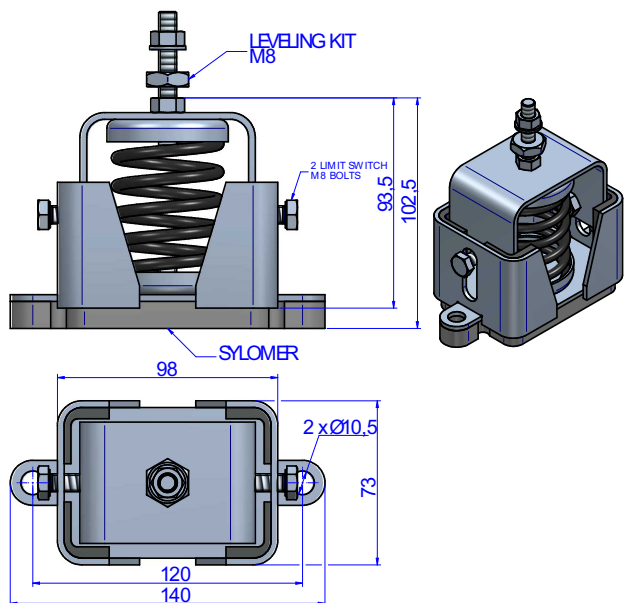
DRAWINGS



DIMENSIONS

Type	Spring color	Weight (kg)	LOAD kg MAX	Code
ANTI-SEISMIC MINI	BLACK	1,07	8	21278
	BLACK	1,2	15	21270
	BLACK	1.138	25	21271
	BLUE	1.13	50	21272
	GREY	1.159	75	21273
	BEIGE	1.206	100	21274
	WHITE	1.184	125	21275
	BLACK	1.214	150	21276
	RED	1.303	250	21277

DRAWINGS



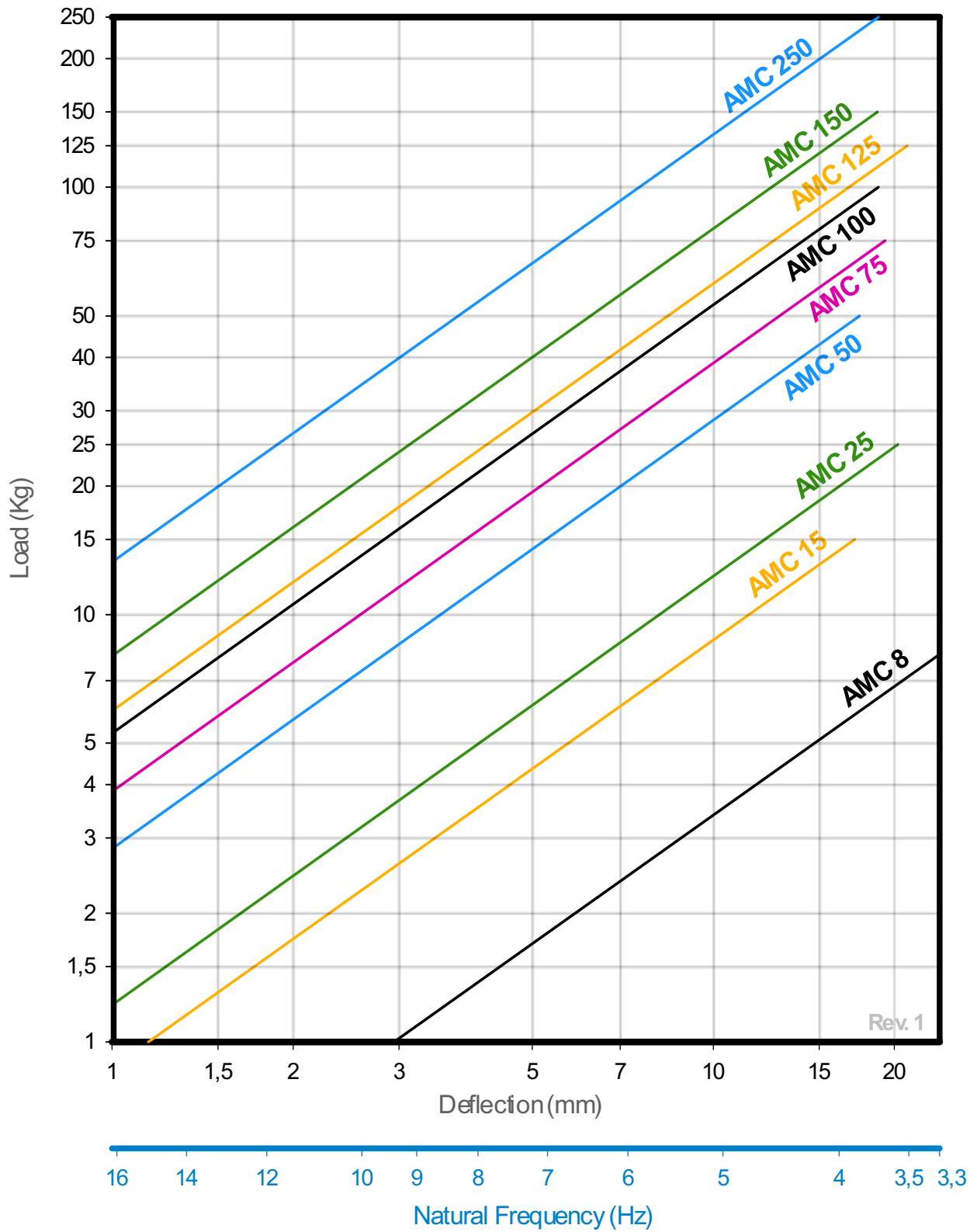
DIMENSIONS

Type	Spring color	Weight (kg)	LOAD kg MAX	Code
ANTI-SEISMIC MINI + SYLOMER	BLACK	1,06	8	21224
	BLACK	1,2	15	21222
	BLACK	1.122	25	21261
	BLUE	1.114	50	21262
	GREY	1.143	75	21263
	BEIGE	1.19	100	21264
	WHITE	1.168	125	21265
	BLACK	1.198	150	21266
	RED	1.287	250	21267

Elastical properties

LOAD DEFLECTION GRAPH

AMC MECANOCAUCHO® 1 AMC ANTISEISMIC MINI



Rev. 1

ADVANTAGES



In addition to its resistance, these pieces offer the following advantages:

- **TRANSPORT SAFETY:** Vibrabsorber seismic brackets feature a locking device, so that the brackets are locked during the transport of the machine.
- **NOISE ISOLATION STRUCTURE:** The microcellular polyurethane Sylomer® pad these supports have under their base insulates the mid and high frequencies that are transmitted by the spring.