

4V-SH ANTI SEISMIC MOUNTS



- A spring with high elasticity and very low natural frequency
- An incorporated levelling system
- A Sylomer pad under the mount base in order to isolate mid-high frequencies comes standard

TECHNICAL CHARACTERISTICS

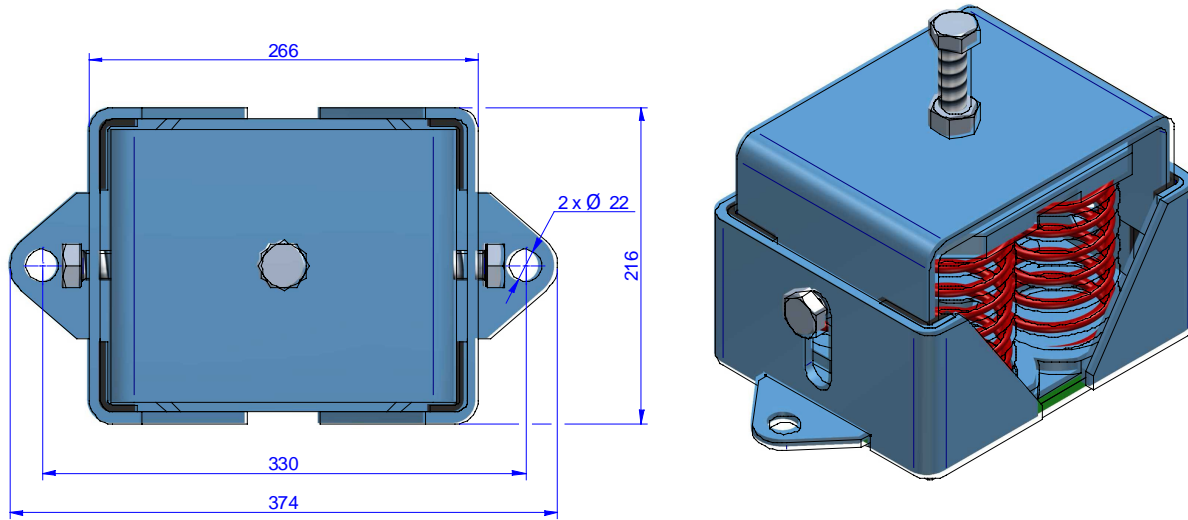
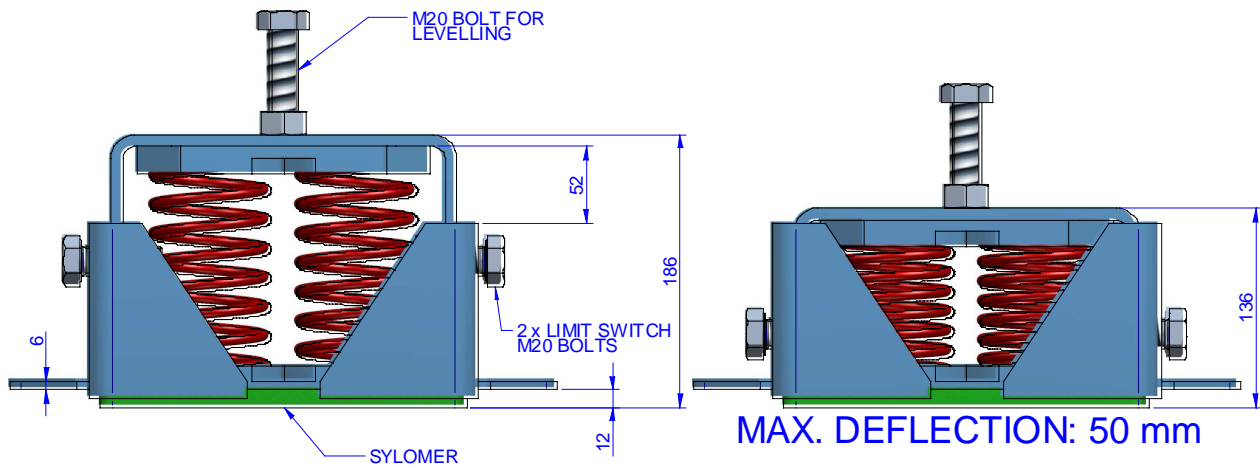
The mounts are able to reach low natural frequencies from 3 to 5 Hz. The spring combined with Sylomer® is able to provide high isolation at low-medium-high frequencies.

The curves are showing the deflection and natural frequencies according to the load of the spring. Working range temperature from -30°C to +70°C. Short term higher temperatures are possible.



4V-SH ANTI SEISMIC MOUNTS

DRAWINGS



DIMENSIONS

Type	Spring color	Load (kg)	Weight (kg)	Code
4V-SH-268 ANTI SEISMIC + SYLOMER	BLUE	268	19,909	20752
4V-SH-380 ANTI SEISMIC + SYLOMER	WHITE	380	20,137	20753
4V-SH-492 ANTI SEISMIC + SYLOMER	BLACK	492	20,233	20754
4V-SH-692 ANTI SEISMIC + SYLOMER	BEIGE	692	20,593	20755
4V-SH-892 ANTI SEISMIC + SYLOMER	RED	892	22,077	20756
4V-SH-1340 ANTI SEISMIC + SYLOMER	GREY	1340	22,881	20757
4V-SH-1784 ANTI SEISMIC + SYLOMER	GREEN	1784	23,945	20758
4V-SH-2800 ANTI SEISMIC + SYLOMER	BROWN	2800	23,945	20759

4V-SH ANTI SEISMIC MOUNTS

Elastical properties

LOAD DEFLECTION CURVE VIBRABSORBER 4V-SH

