

# 9V-SH ANTI SEISMIC MOUNTS



- A spring with high elasticity and very low natural frequency
- An incorporated levelling system
- A Sylomer pad under the mount base in order to isolate mid-high frequencies comes standard

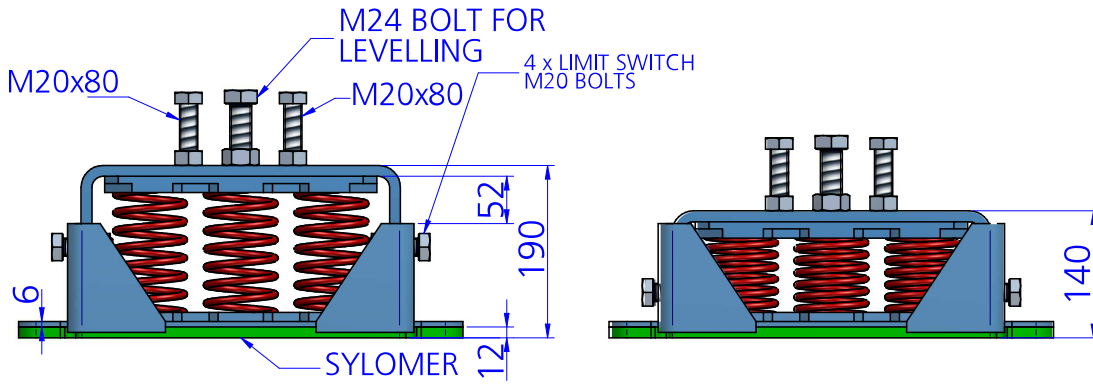
## TECHNICAL CHARACTERISTICS

The mounts are able to reach low natural frequencies from 2 to 5 Hz. The spring combined with sylomer® is able to provide high isolation at low and medium frequencies.

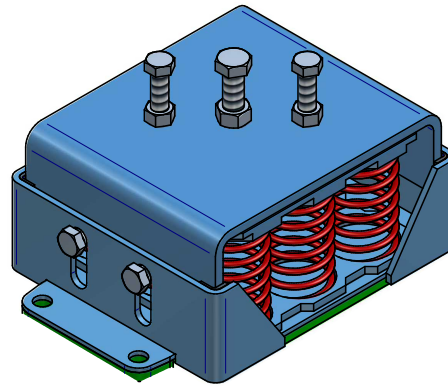
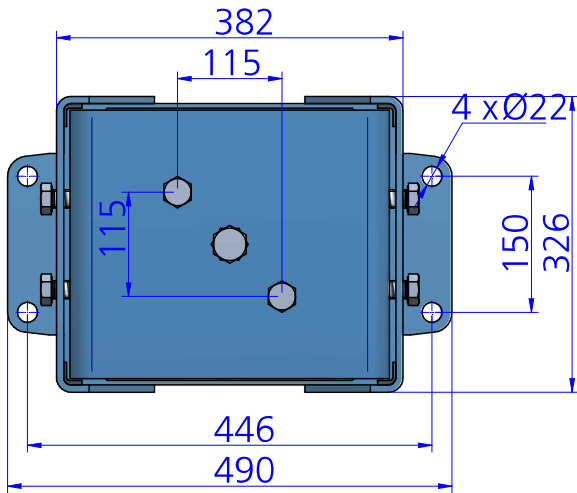
The curves are showing the deflection and natural frequencies according to the load of the spring. Temperature working range from -30 to 70°. Short term higher temperatures are possible.



## DRAWINGS



MAX. DEFLECTION: 50mm

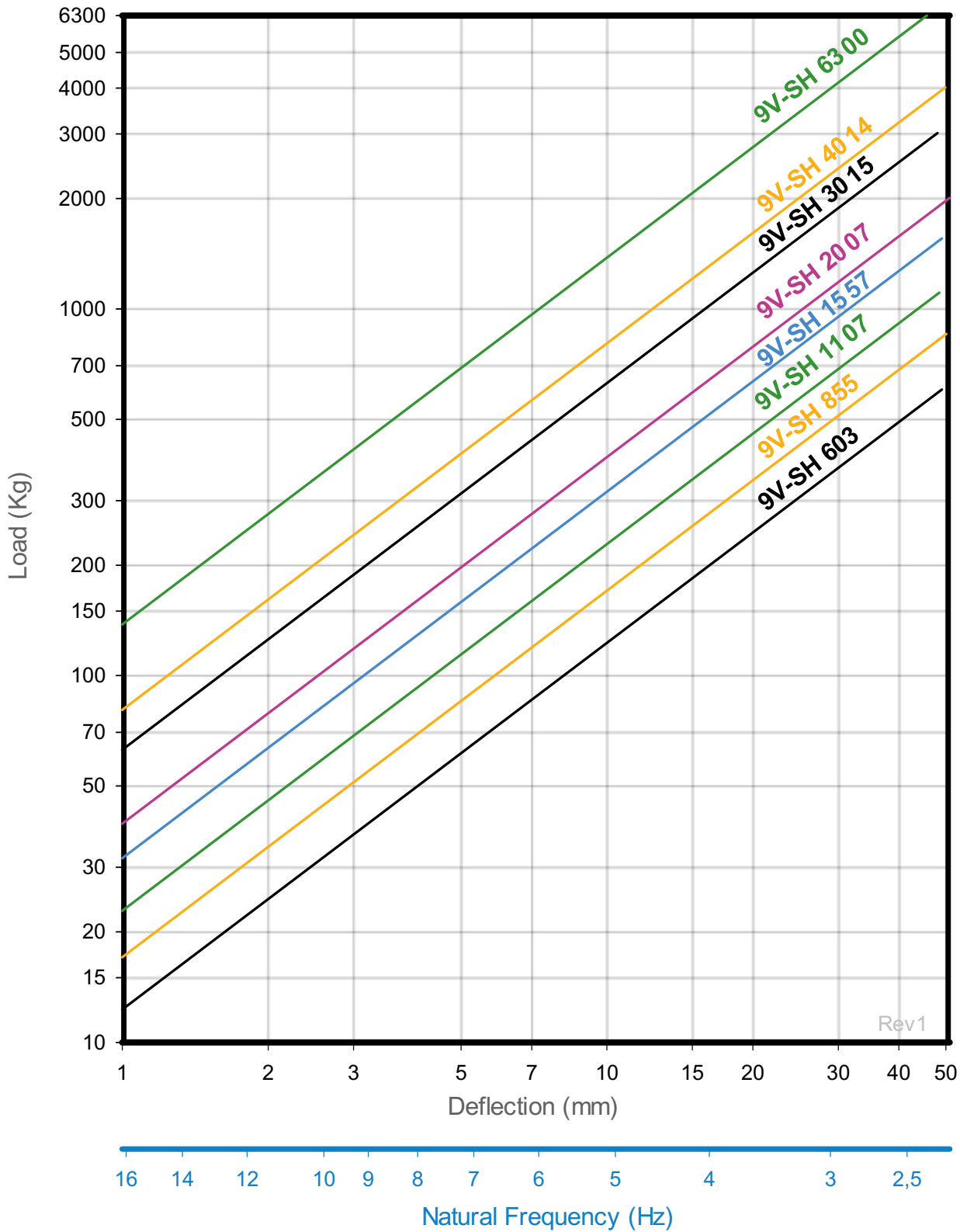


## DIMENSIONS

Type	Spring color	Load (kg)	Weight (kg)	Code
9V-SH-603 ANTI SEISMIC + SYLOMER	BLUE	603	46,273	20887
9V-SH-855 ANTI SEISMIC + SYLOMER	WHITE	855	46,786	20888
9V-SH-1107 ANTI SEISMIC + SYLOMER	BLACK	1107	47,002	20889
9V-SH-1557 ANTI SEISMIC + SYLOMER	BEIGE	1557	47,812	20890
9V-SH-2007 ANTI SEISMIC + SYLOMER	RED	2007	51,151	20891
9V-SH-3015 ANTI SEISMIC + SYLOMER	GREY	3015	52,96	20892
9V-SH-4014 ANTI SEISMIC + SYLOMER	GREEN	4014	55,354	20893
9V-SH-6300 ANTI SEISMIC + SYLOMER	BROWN	6300	55,354	20900

Elastical properties

**LOAD DEFLECTION GRAPH  
AMC MECANOCAUCHO® 9V-SH**



Rev1