

10 AMC ANTI-SEISMIC



The Vibrabsorber Antiseismic spring mounts are failsafe anti vibration mounts that are capable to withstand traction and compression dynamic forces offering a low Stiffness for a range of loads between 300 to 8000Kg. Thanks to its reinforced metal parts, the 10 amc Antiseismic mounts can withstand to shocks produced by seismic events.

The AMC-MECANOCAUCHO® type 10 AMC antiseismic mounts are ideal for stationary applications where high isolation degree is required to low disturbing frequencies (800 to 1500 rpm).

TECHNICAL CHARACTERISTICS

The design of these anti vibration mounts is composed of interlocking metal parts where a rubber buffer is placed in order to avoid metal to metal contact when high shear loads occur. This feature allows to provide lateral stability to the suspended element. These lateral metal parts have been calculated to withstand to lateral high forces that may occur in seismic events, allowing the anti vibration mount to resist without rupture. These mounts can be supplied with a Sylomer layer under the below metal part. This feature allows to filter high frequency vibrations that could go through the coil springs, providing to the 10 AMC Antiseismic anti-vibration mount higher degree of vibration isolation.

The AMC-MECANOCAUCHO 10 AMC antiseismic anti vibration mounts are manufactured in several types of springs to suit load from 300 to 8000Kg load per mount.

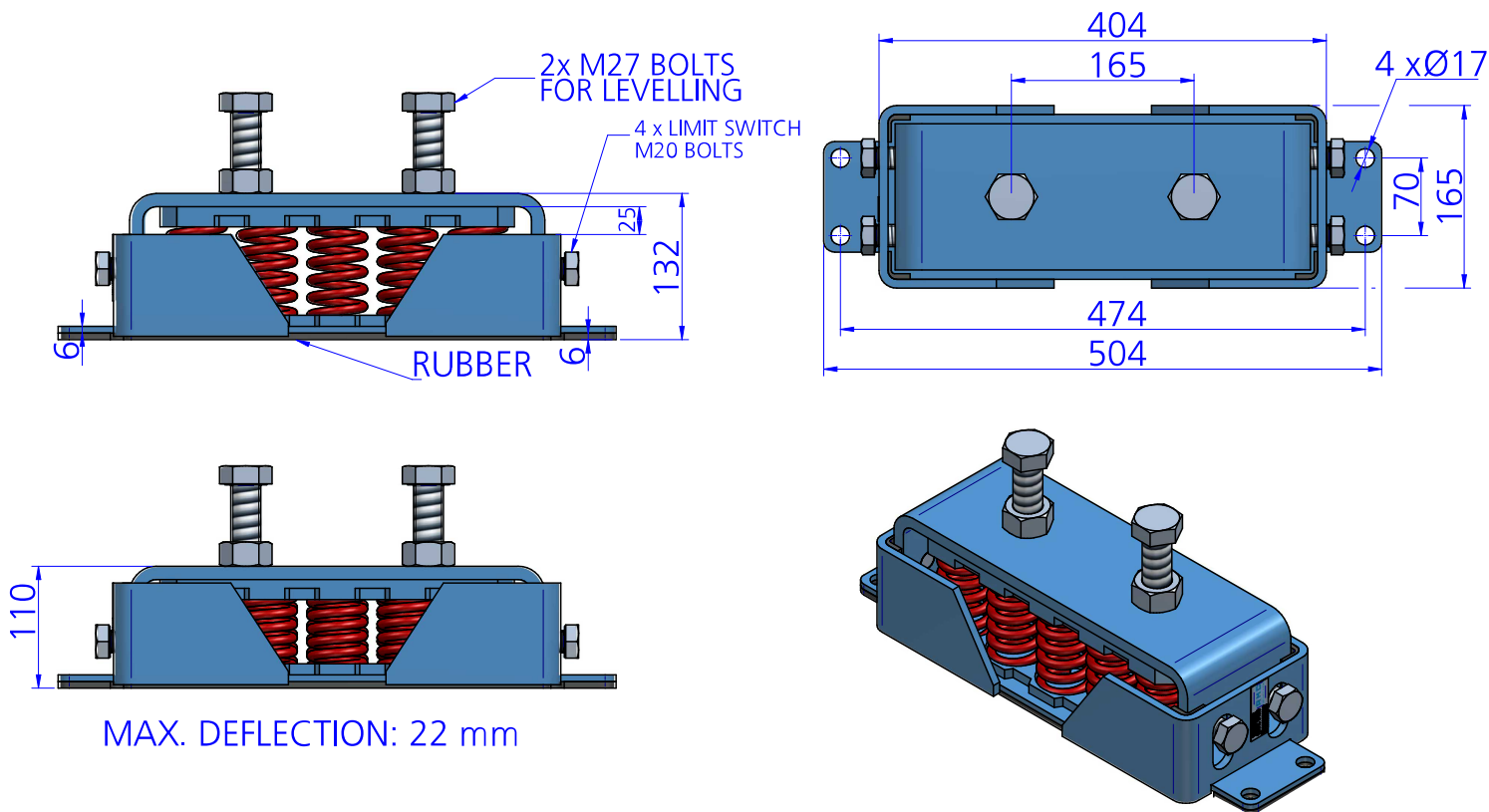
The metal parts are epoxy coated in order to withstand to arduous corrosive environments.

APPLICATIONS

The AMC-MECANOCAUCHO® 10 AMC antiseismic mounts are used on stationary applications where disturbing frequency is low and a high vibration isolation and lateral stability is required, for example generator sets, HVAC equipment, pumps or ventilators.



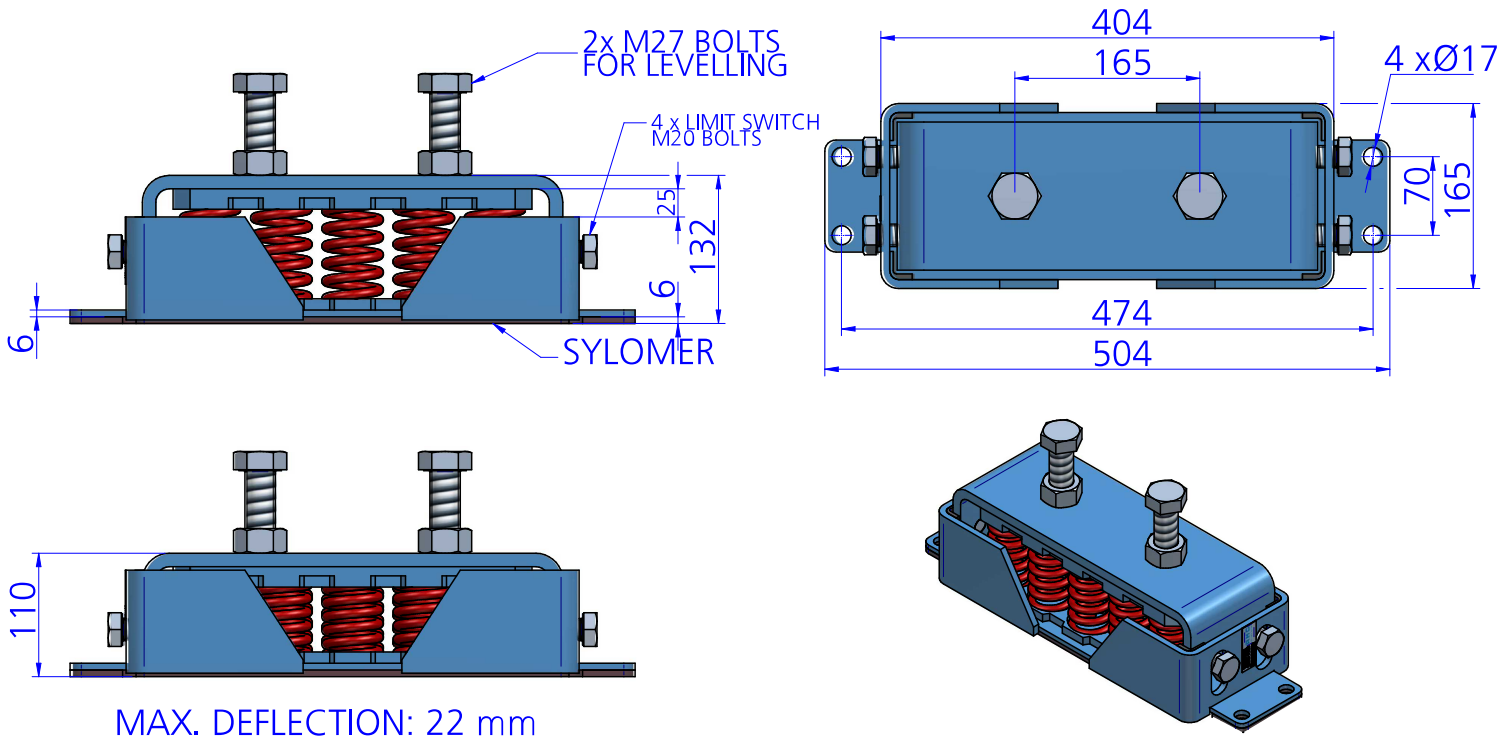
DRAWINGS



DIMENSIONS

Type	No. Springs	Spring color	DEFLECTION mm	Weight (kg)	LOAD kg MAX	Code
10 AMC ANTI-SEISMIC	10	YELLOW	22	24.089	2000	20849
	10	PURPLE	22	24.228	3050	20894
	10	GREEN	22	24.978	4050	20895
	10	GREY	22	26.108	5400	20896
	10	WHITE	22	25.248	6120	20897
	10	RED	22	26.968	8030	20898

DRAWINGS



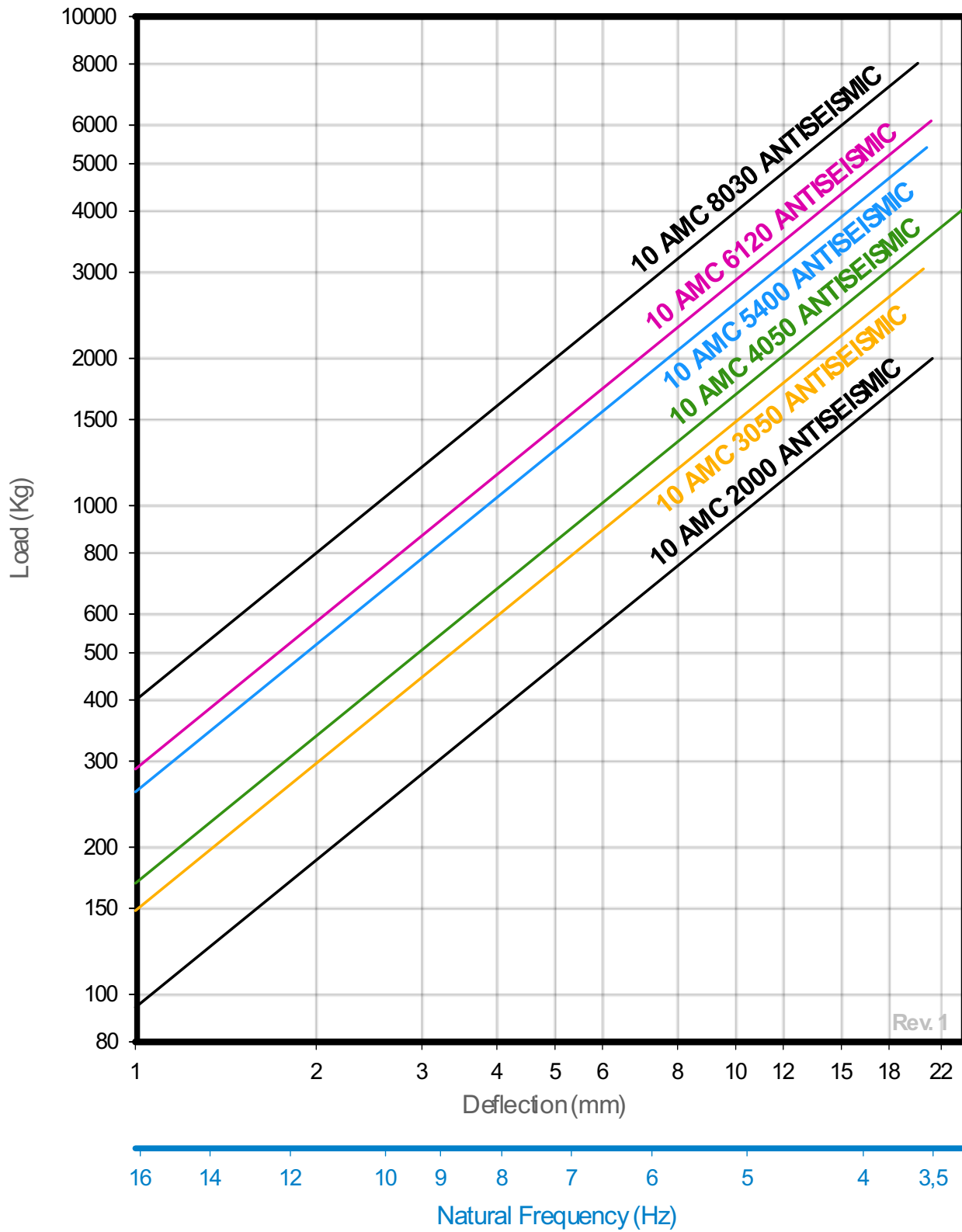
MAX. DEFLECTION: 22 mm

DIMENSIONS

Type	No. Springs	Spring color	DEFLECTION mm	Weight (kg)	LOAD kg MAX	Code
10 AMC ANTI-SEISMIC + SYLOMER	10	YELLOW	22	24.089	2000	20850
	10	PURPLE	22	24.089	3050	20852
	10	GREEN	22	24.839	4050	20853
	10	GREY	22	25.969	5400	20854
	10	WHITE	22	25.109	6120	20855
	10	RED	22	26.829	8030	20856

Elastical properties

LOAD DEFLECTION GRAPH
AMC MECANOCAUCHO® 10 AMC ANTISEISMIC



Rev. 1

ADVANTAGES



In addition to its resistance, these pieces offer the following advantages:

- **TRANSPORT SAFETY:** Vibrabsorber seismic brackets feature a locking device, so that the brackets are locked during the transport of the machine.
- **NOISE ISOLATION STRUCTURE:** The microcellular polyurethane Sylomer® pad these supports have under their base insulates the mid and high frequencies that are transmitted by the spring.