

VT TYPE 3



The AMC-MECANOCAUCHO® VT type 3 low natural frequency acoustic hangers are designed to withstand the load of 5 to 150Kg per acoustic . Their design has been optimized to be used on reinforced profiles that have an "I" shape.

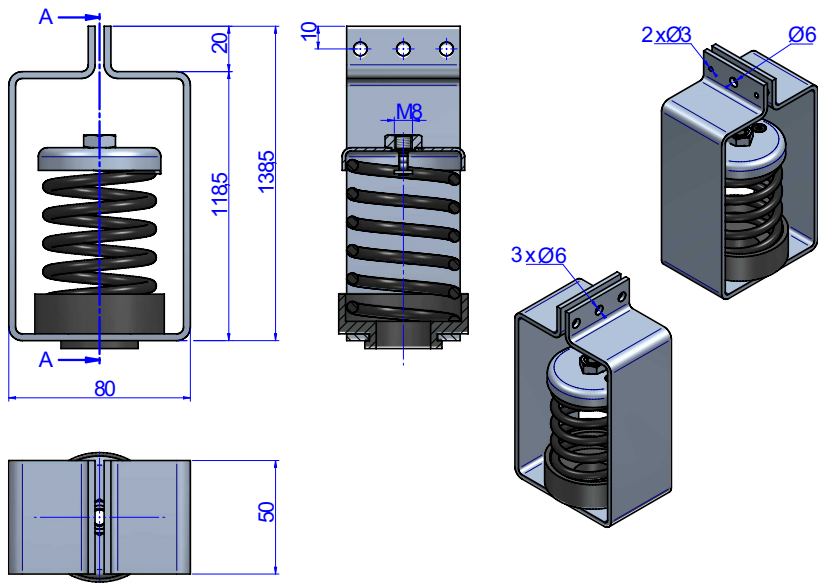
TECHNICAL CHARACTERISTICS

The VT type 3 Low natural frequency acoustic hangers are produced as standard on 6 different stiffness coil springs to suit loads per point from 5 up to 150 Kg. The natural frequency on their optimal loading point ranges below 5 Hz. These technical properties provide a high level of noise and vibration isolation on light concrete structures. Their metal parts are coated to withstand corrosive environments.

They are typically installed every 1,5 linear meter. But this feature may be tuned in order to adapt to the load or natural frequency requirement of the application.



DRAWINGS

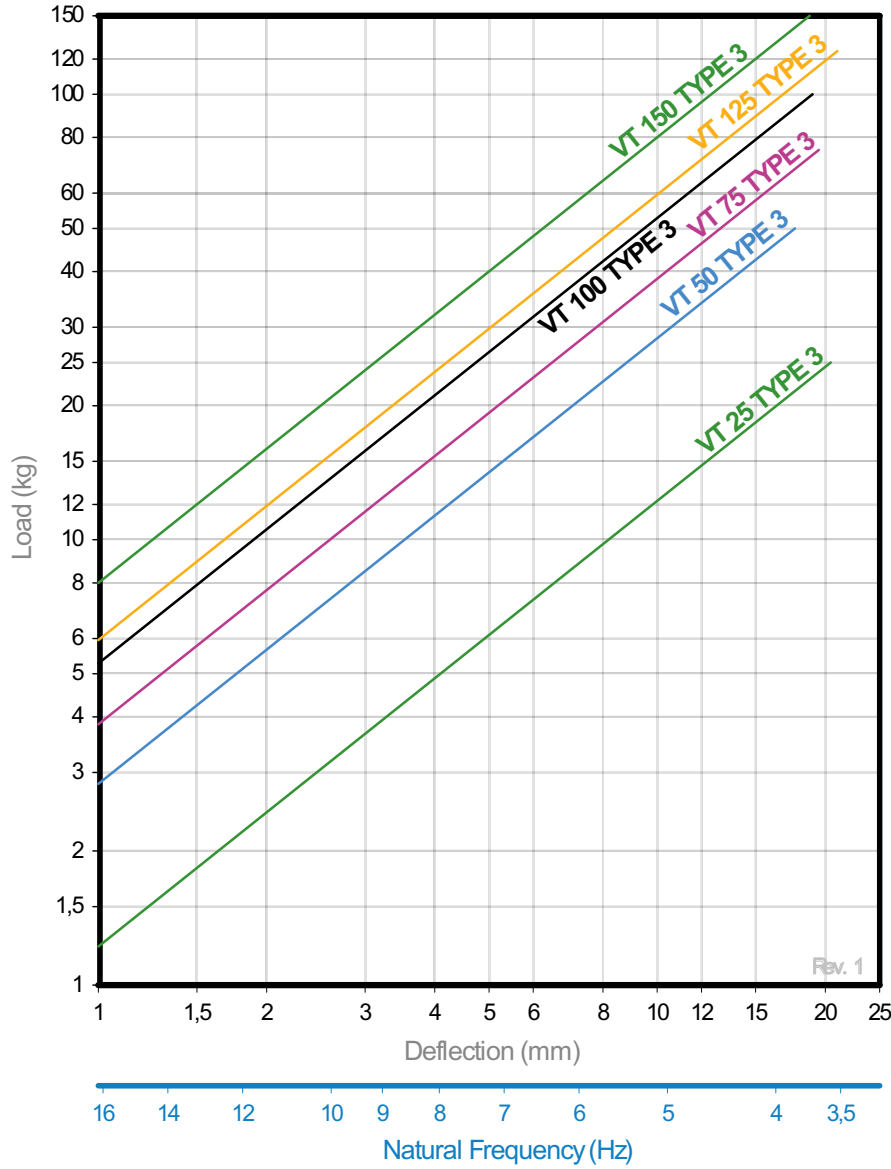


DIMENSIONS

Type	Spring color	Max. Load (kg)	Code
VT3 25	BLACK	25	20218
VT3 50	BLUE	50	20219
VT3 75	GREY	75	20220
VT3 100	BEIGE	100	20221
VT3 125	WHITE	125	20222
VT3 150	BLACK	150	20217

Elastical properties

LOAD DEFLECTION GRAPH
AMC MECANOCAUCHO® VT 25 - 150 TYPE 3



Rev. 1