

Anti vibration  
mounts

# 1V-SH DB



This range of mounts comprises:

A spring high elasticity and very low natural frequency

An incorporated levelling system

A non-slip rubber base

A spare Sylomer to isolate mid and high frequencies comes standard

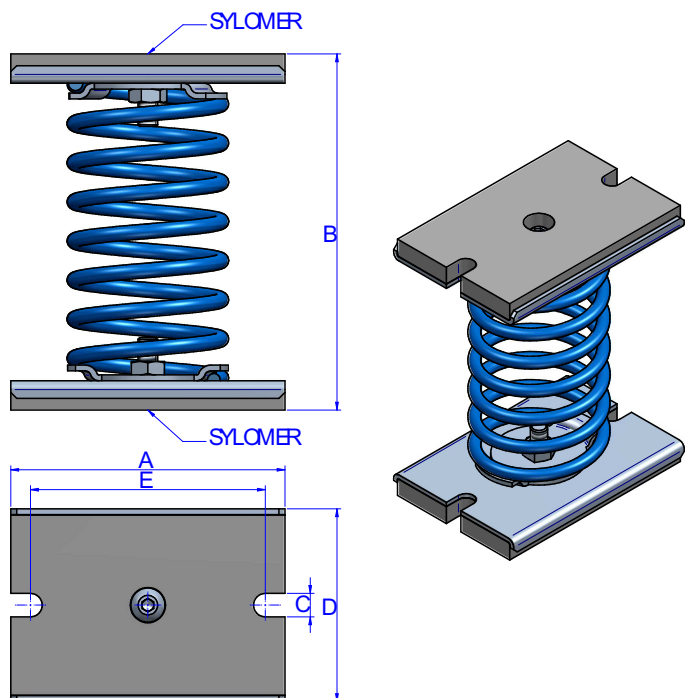
## TECHNICAL CHARACTERISTICS

The mounts are able to reach low natural frequencies from 2 to 5 Hz. The spring combined with sylomer® is able to provide high isolation at low and medium frequencies.

The curves are showing the deflection and natural frequencies according to the load of the spring. Temperature working range from -30 to 70°. Short term higher temperatures are possible.



DRAWINGS



DIMENSIONS

Type	Spring color	A (mm)	B (mm)	C (mm)	D (mm)	E (mm)	Max. Load (kg)	Weight (kg)	Code
V-SH-67-DB	BLUE	140	182	12	98,5	120	67	1,48	20512
V-SH-95-DB	WHITE	140	182	12	98,5	120	95	1,48	20513
V-SH-123-DB	BLACK	140	182	12	98,5	120	123	1,48	20514
V-SH-173-DB	BEIGE	140	182	12	98,5	120	173	1,48	20515
V-SH-223-DB	RED	140	182	12	98,5	120	223	1,48	20516
V-SH-335-DB	GREY	140	182	12	98,5	120	335	1,48	20517
V-SH-446-DB	GREEN	140	182	12	98,5	120	446	1,48	20518
V-SH-700-DB	BROWN	140	182	12	98,5	120	700	2,72	20530

Elastical properties

## LOAD DEFLECTION GRAPH AMC MECANOCAUCHO® V-SH

