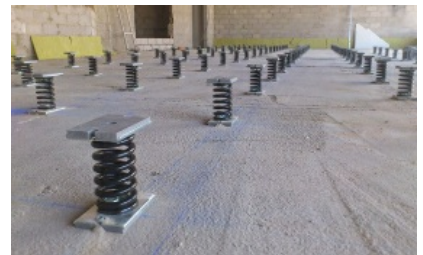


Vibrabsorber **1 AMC**



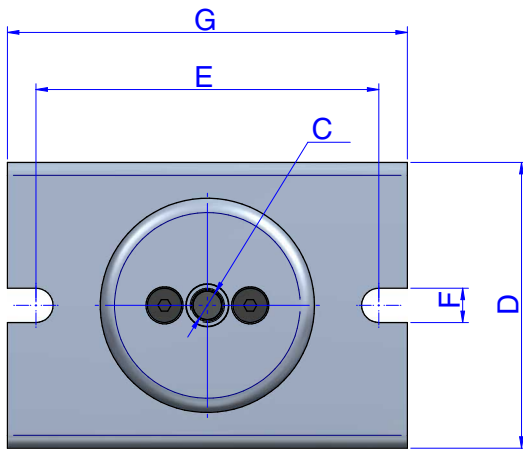
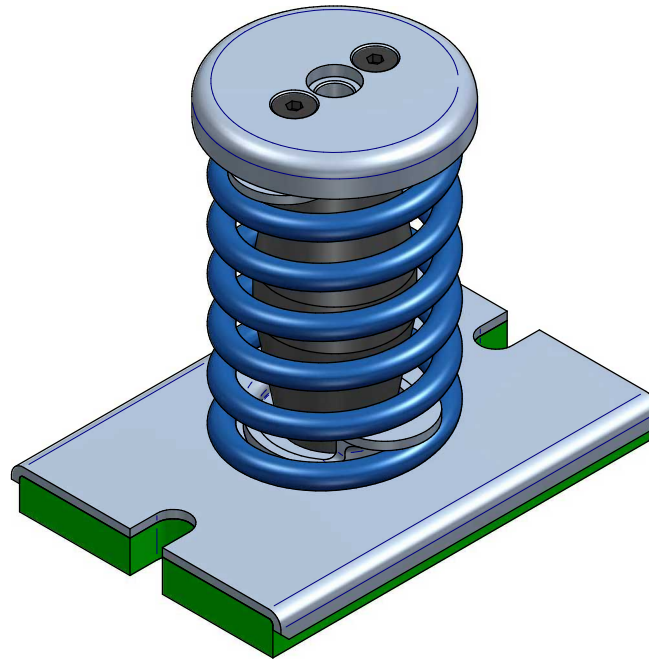
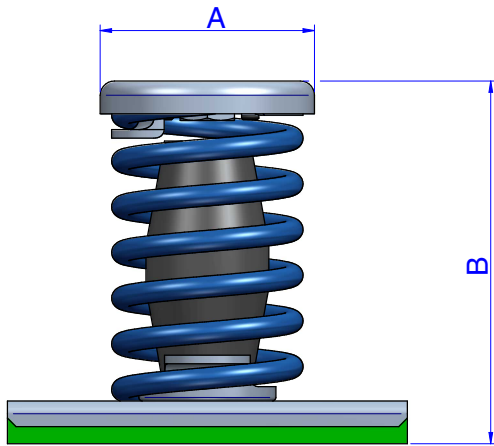
Spring mount is necessary in all machinery, which, by virtue of its design, has reciprocating or rotating parts, creates vibration to some degree through the imbalance of the moving parts.

This vibration produced by a machine leads to different problems, such as a reduction in the machine's useful life through part wear, plus the transmission of this vibration to other non-insulated adjacent structures, giving rise to problems of noise and vibration transmission. It is therefore important to install a spring mount to machinery.



Vibrabsorber 1 AMC

DRAWINGS



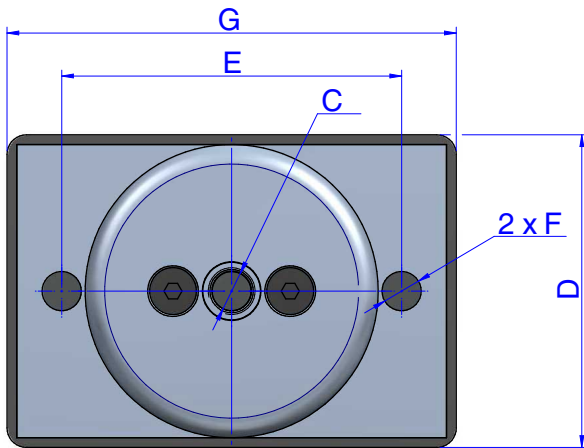
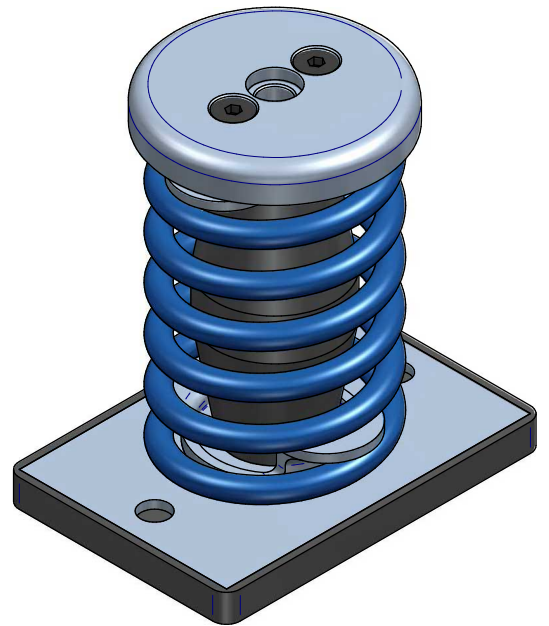
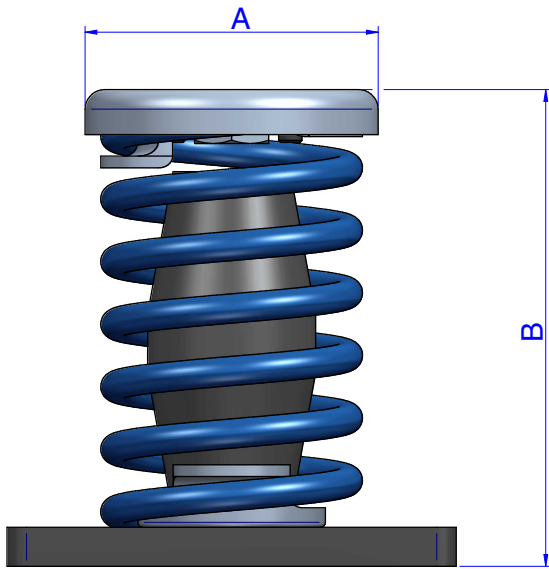
DIMENSIONS

Type	A (mm)	B (mm)	Spring color	C (mm)	D (mm)	E (mm)	F (mm)	G (mm)	Max. Load (kg)	Weight (kg)	Code
1 AMC 150+Sylomer®	75	127	BLUE	M-12	98,5	120	12	140	150	1,102	20371
1 AMC 200+Sylomer®	75	127	WHITE	M-12	98,5	120	12	140	200	1,138	20372
1 AMC 250+Sylomer®	75	127	BLACK	M-12	98,5	120	12	140	250	1,225	20373
1 AMC 350+Sylomer®	75	127	CREAM	M-12	98,5	120	12	140	350	1,392	20374
1 AMC 500+Sylomer®	93	127	LIGHT GREY	M-14	98,5	120	12	140	500	2,56	20375
1 AMC 750+Sylomer®	93	127	GREEN	M-14	98,5	120	12	140	750	3,036	20376

Vibrabsorber

1 AMC

DRAWINGS



DIMENSIONS

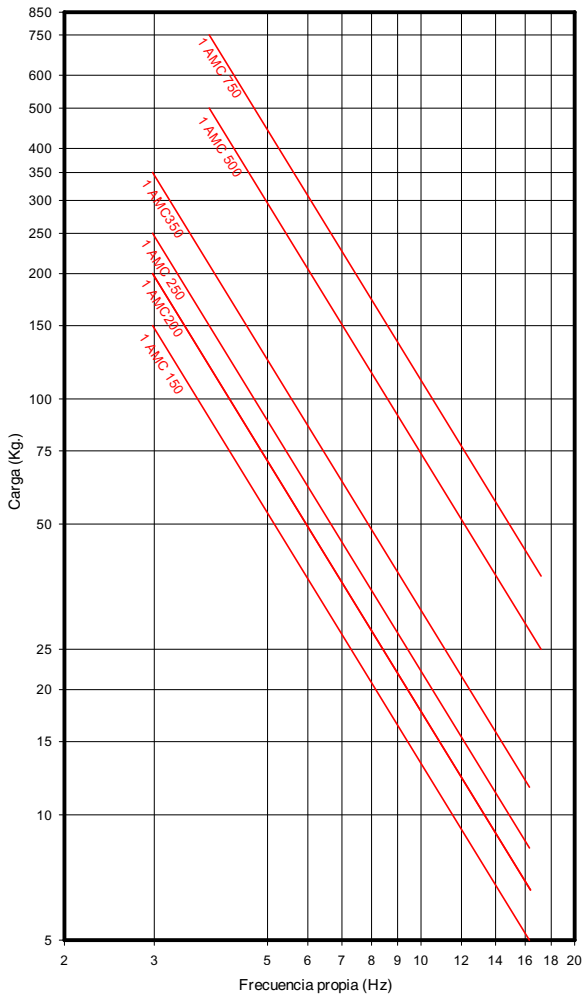
Type	A (mm)	B (mm)	Spring color	C (mm)	D (mm)	E (mm)	F (mm)	G (mm)	Max. Load (kg)	Weight (kg)	Code
1 AMC 150	75	122	BLUE	M-12	80	87	10	115	150	1,102	20301
1 AMC 200	75	122	WHITE	M-12	80	87	10	115	200	1,138	20311
1 AMC 250	75	122	BLACK	M-12	80	87	10	115	250	1,225	20321
1 AMC 350	75	122	CREAM	M-12	80	87	10	115	350	1,392	20331
1 AMC 500	93	120	LIGHT GREY	M-14	100	120	12	150	500	2,56	20341
1 AMC 750	93	120	GREEN	M-14	100	120	12	150	750	3,036	20351

Vibrabsorber

1 AMC

Elastical properties

AMC FRECUENCIAS PROPIAS
MECANOCAUCHO® Tipo 1 AMC



AMC CARGA DEFORMACION
MECANOCAUCHO® Tipo 1 AMC

