

5 AMC

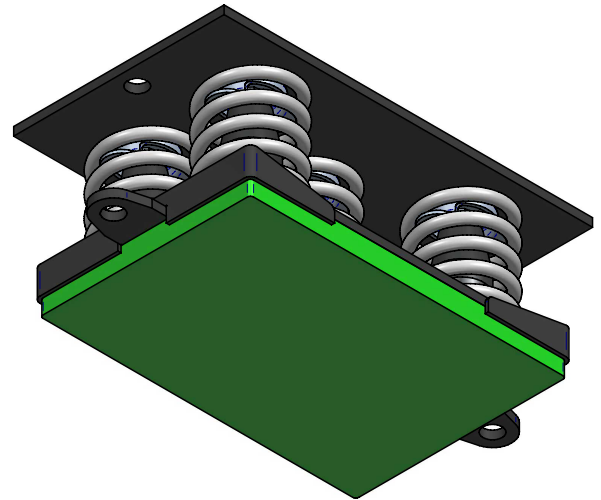
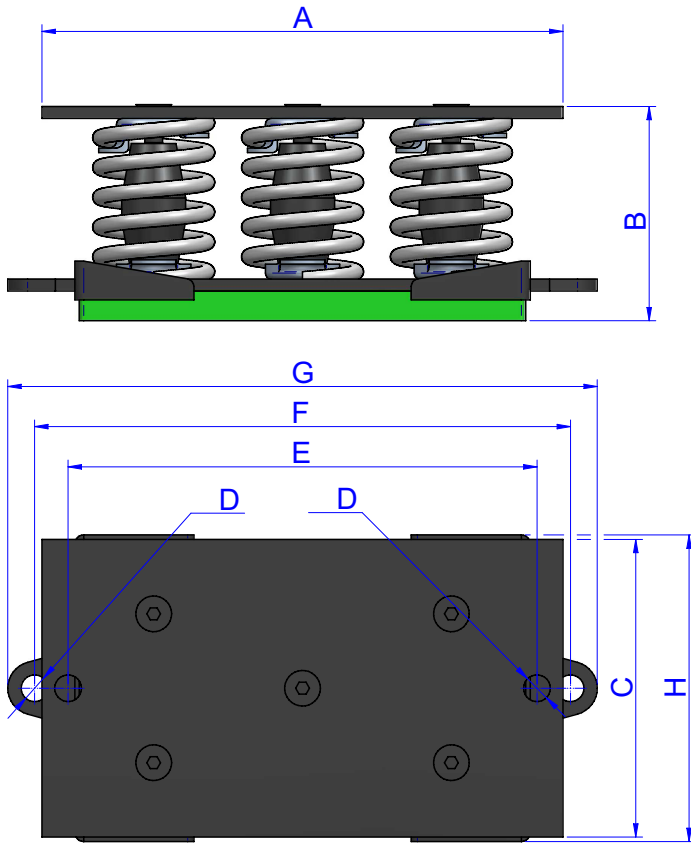


Spring mount is necessary in all machinery, which, by virtue of its design, has reciprocating or rotating parts, creates vibration to some degree through the imbalance of the moving parts.

This vibration produced by a machine leads to different problems, such as a reduction in the machine's useful life through part wear, plus the transmission of this vibration to other non-insulated adjacent structures, giving rise to problems of noise and vibration transmission. It is therefore important to install a spring mount to machinery.



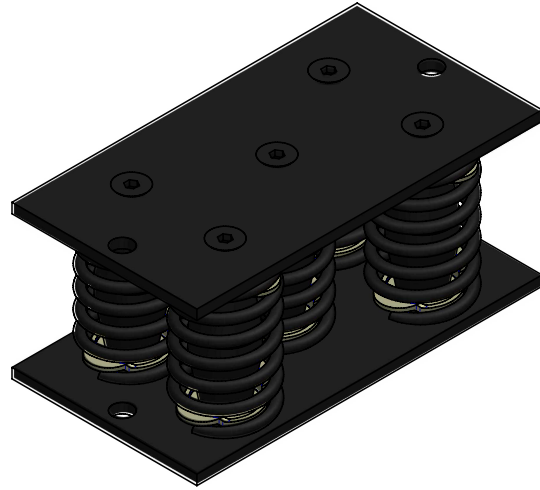
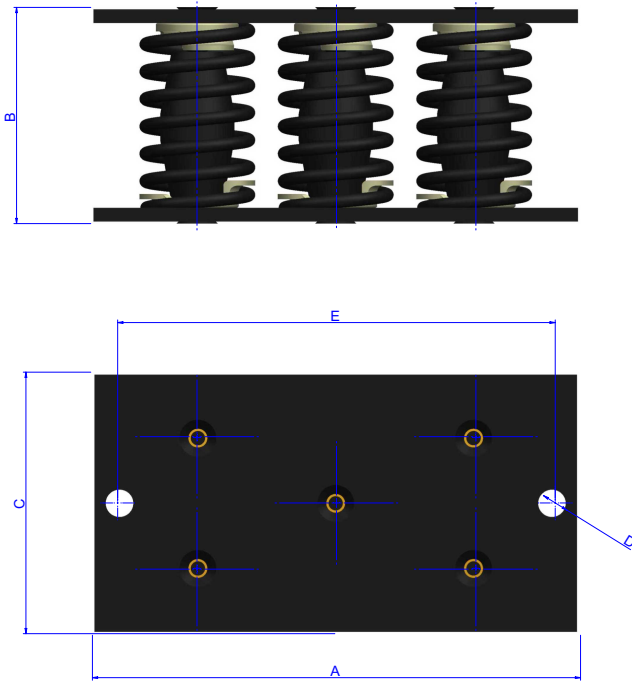
DRAWINGS



DIMENSIONS

Type	Spring color	A (mm)	B (mm)	C (mm)	D (mm)	E (mm)	F (mm)	G (mm)	H (mm)	Max. Load (kg)	Weight (kg)	Code
5 AMC 750+Sylomer®	BLUE	280	136	150	16	251	290	322	156	750	8,502	20771
5 AMC 1000+Sylomer®	WHITE	280	136	150	16	251	290	322	156	1000	8,692	20772
5 AMC 1250+Sylomer®	BLACK	280	136	150	16	251	290	322	156	1250	9,162	20773
5 AMC 1750+Sylomer®	CREAM	280	136	150	16	251	290	322	156	1750	10,037	20774
5 AMC 2500+Sylomer®	LIGHT GREY	350	136	200	18	315	360	396	206	2500	15,716	20775
5 AMC 3750+Sylomer®	GREEN	350	136	200	18	315	360	396	206	3750	18,056	20776

DRAWINGS



DIMENSIONS

Type	Spring color	A (mm)	B (mm)	C (mm)	D (mm)	E (mm)	F (mm)	G (mm)	H (mm)	Max. Load (kg)	Weight (kg)	Code
5 AMC 750	BLUE	280	124	150	16	251	-	-	-	750	8,502	20701
5 AMC 1.000	WHITE	280	124	150	16	251	-	-	-	1000	8,692	20711
5 AMC 1.250	BLACK	280	124	150	16	251	-	-	-	1250	9,162	20721
5 AMC 1.750	CREAM	280	124	150	16	251	-	-	-	1750	10,037	20731
5 AMC 2.500	LIGHT GREY	350	124	200	18	315	-	-	-	2500	15,716	20741
5 AMC 3.750	GREEN	350	124	200	18	315	-	-	-	3750	18,056	20751

Elastical properties

