

TSR 70X70

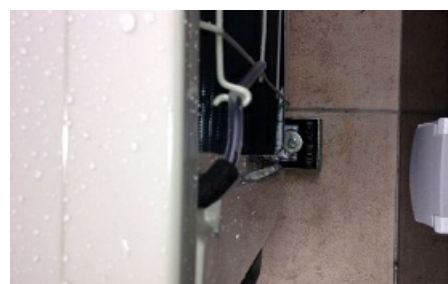


The AMC-MECANOCAUCHO® TSR type anti vibration mounts include a microcellular and resilient polyurethane compound for anti-vibration purposes called Sylomer®. This Sylomer® is oil resistant and with a temperature range of -30°C/+70°C.

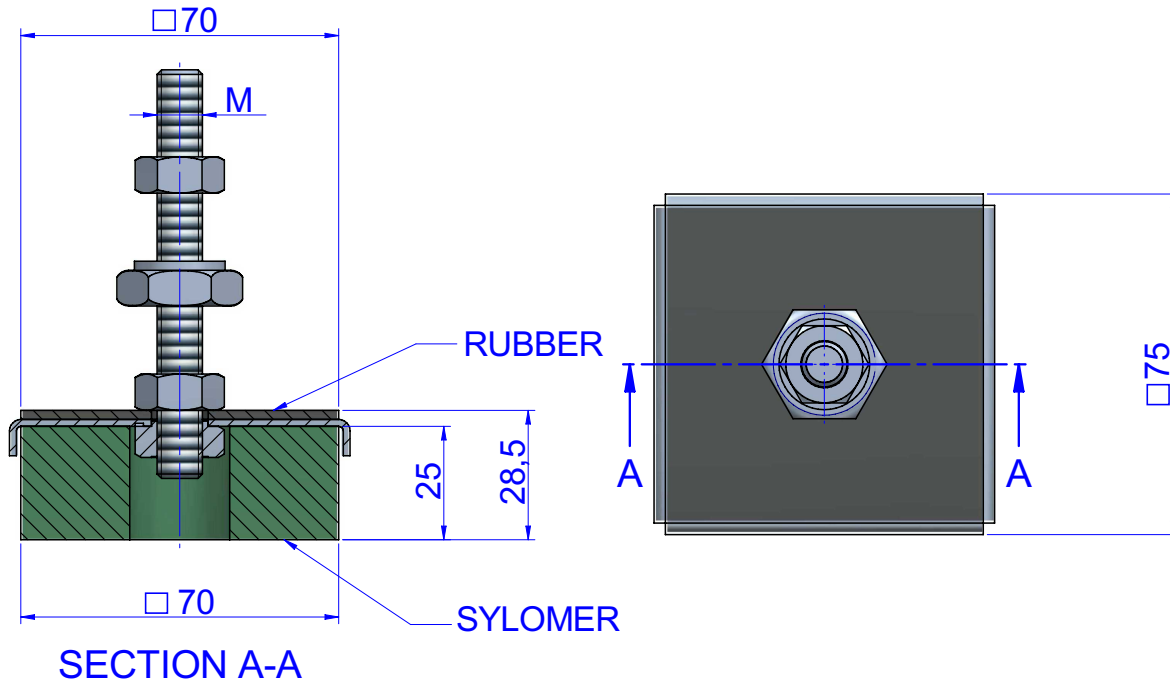
The TSR mounts can be fixed mechanically thanks to the internal nut incorporated to the metallic part that is treated with an antioxidant coat. This coating complies to the RoHs regulations.

The above Chloroprene based rubber that is bonded to the metal acts as an anti-skid surface for those application where a mechanical fixation is not possible to be made. This layer provides an additional anticorrosive protection.

In order to match the application, 6 different densities are supplied for a wide range of loads.



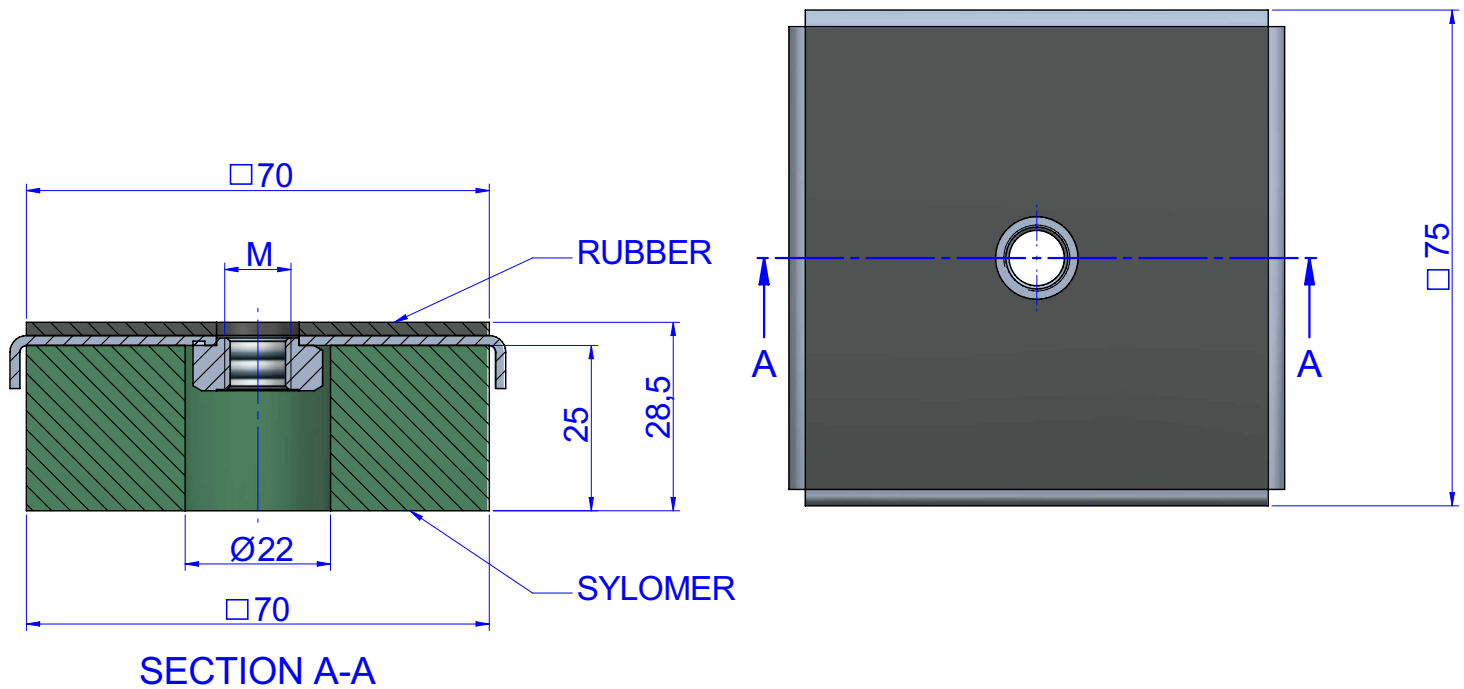
DRAWINGS



DIMENSIONS

Type	DEFLECTION mm	LOAD kg MIN	LOAD kg MAX	FREQ. Hz. MIN Load	FREQ. Hz. MAX Load	K N/mm	E Modulus N/mm ²	M	Weight (kg)	Code
TSR 55 + KIT NIV	1,6	10	25	23,8	11	0,16	0,87	M8	0,2	157101
								M10	0,253	157107
								M12	0,314	157113
TSR 110 + KIT NIV	2,1	25	45	17,4	11,1	0,23	1,25	M8	0,21	157102
								M10	0,258	157108
								M12	0,324	157114
TSR 220 + KIT NIV	2,1	45	75	16	11,1	0,38	2,03	M8	0,225	157103
								M10	0,273	157109
								M12	0,34	157115
TSR 450 + KIT NIV	2,7	75	150	15,5	10,4	0,67	3,58	M8	0,24	157104
								M10	0,287	157110
								M12	0,353	157116
TSR 850 + KIT NIV	2,9	150	250	14,2	11,1	1,28	6,9	M8	0,26	157105
								M10	0,31	157111
								M12	0,375	157117
TSR 1200 + KIT NIV	2,9	250	300	11	10	1,24	6,7	M8	0,275	157106
								M10	0,3	157112
								M12	0,366	157118

DRAWINGS

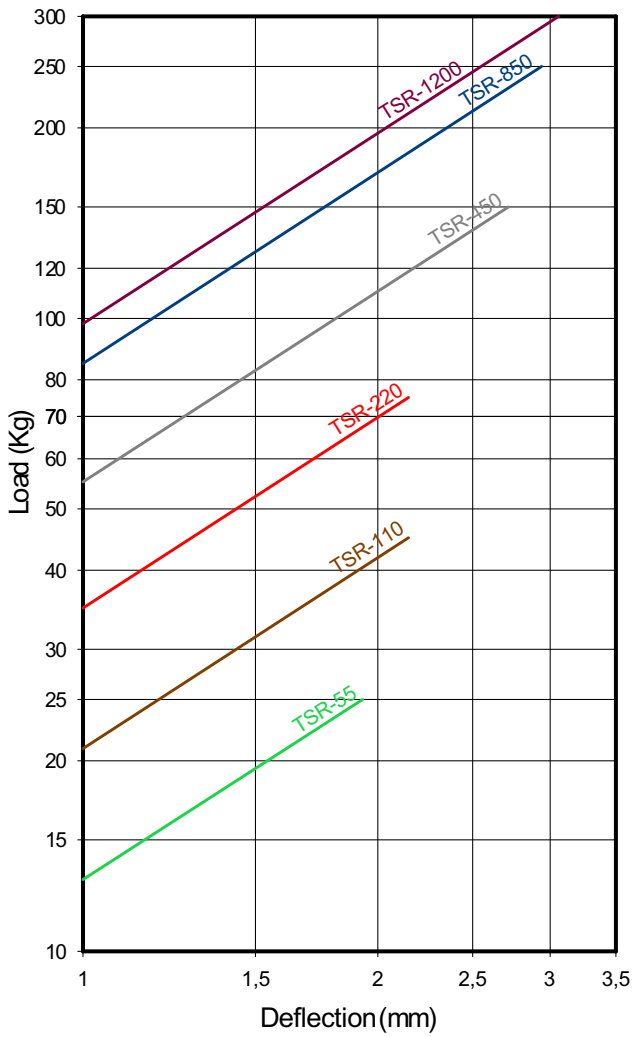


DIMENSIONS

Type	DEFLECTION mm	LOAD kg MIN	LOAD kg MAX	FREQ. Hz. MIN Load	FREQ. Hz. MAX Load	K N/mm	E Modulus N/mm ²	M	Weight (kg)	Code
TSR 55	1,6	10	25	23,8	11	0,16	0,87	M8	0,163	157001
								M10	0,163	157008
								M12	0,163	157014
TSR 110	2,1	25	45	17,4	11,1	0,23	1,25	M8	0,173	157002
								M10	0,173	157009
								M12	0,173	157015
TSR 220	2,1	45	75	16	11,1	0,38	2,03	M8	0,188	157003
								M10	0,188	157010
								M12	0,188	157016
TSR 450	2,7	75	150	15,5	10,4	0,67	3,58	M8	0,203	157004
								M10	0,203	157011
								M12	0,203	157017
TSR 850	2,9	150	250	14,2	11,1	1,28	6,9	M8	0,223	157005
								M10	0,223	157012
								M12	0,223	157018
TSR 1200	2,9	250	300	11	10	1,24	6,7	M8	0,238	157006
								M10	0,238	157013
								M12	0,238	157019

Elastical properties

LOAD DEFLECTION CURVES
TSR+ SYLOMER®



NATURAL FREQUENCY CURVES
TSR+ SYLOMER®

