

Anti vibration
mounts

SRS + SYLOMER

AMC
MECANOCAUCHO
NOISE AND
VIBRATION
SOLUTIONS



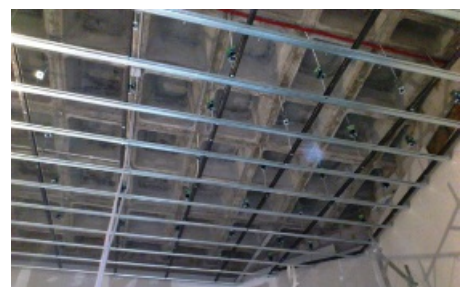
These acoustic hangers have been conceived for the suspension of suspended ceilings or machines that rotate at low frequency.

The excellent properties of the Sylomer® microcellular polyurethane combined with the low stiffness of a steel spring achieve increased isolation values as opposed to other mounts using rubber or cork, or a combination of both.

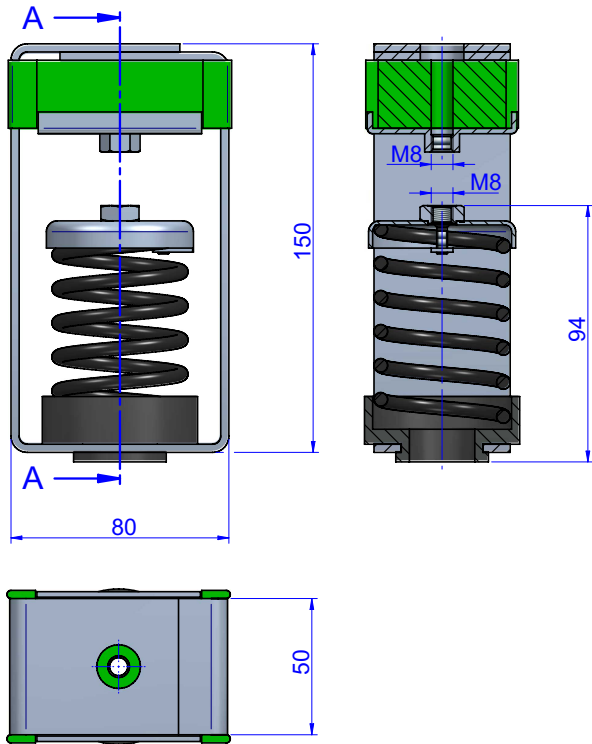
TECHNICAL CHARACTERISTICS

These antivibration mounts are manufactured in 6 different steel spring models to adapt optimal for each application.

Their rugged metal parts withstand can tensile stresses. They are supplied with an anticorrosive treatment that can resist tensile stresses up to 1000Kg withstand the toughest environments.



DRAWINGS

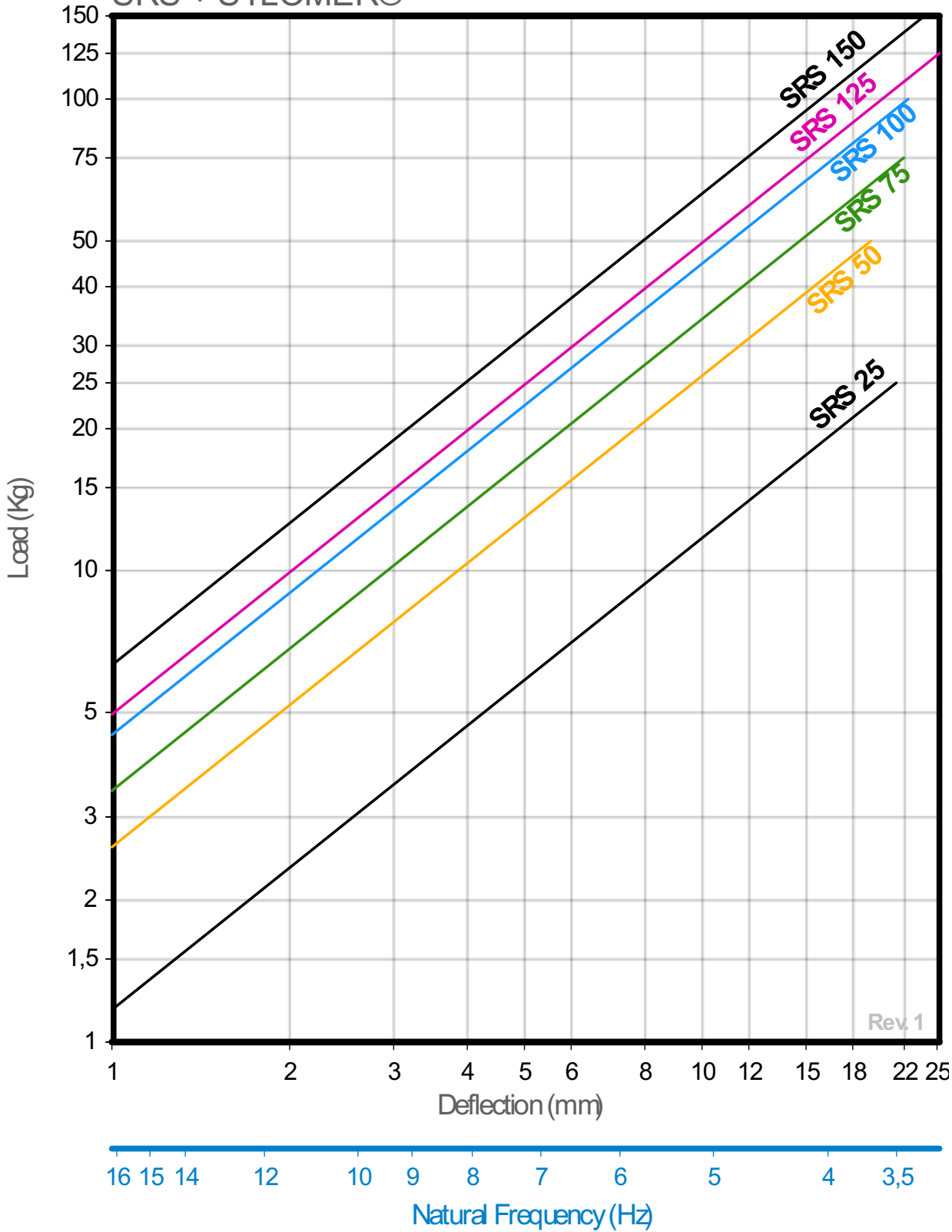


DIMENSIONS

Type	Spring color	Max. Load (kg)	Weight (kg)	Code
SRS 25 + SYLOMER®	Black	25	0,876	23546
SRS 50 + SYLOMER®	Blue	50	0,865	23547
SRS 75 + SYLOMER®	Grey	75	0,858	23551
SRS 100 + SYLOMER®	Beige	100	0,897	23548
SRS 125 + SYLOMER®	White	125	0,875	23549
SRS 150 + SYLOMER®	Black	150	0,956	23550

Elastical properties

**LOAD DEFLECTION GRAPH
SRS + SYLOMER®**



Rev. 1