

TSR 100X100 ANTI VIBRATION MOUNT



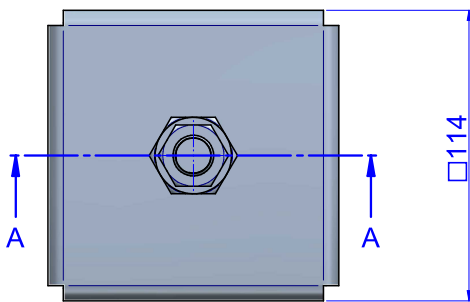
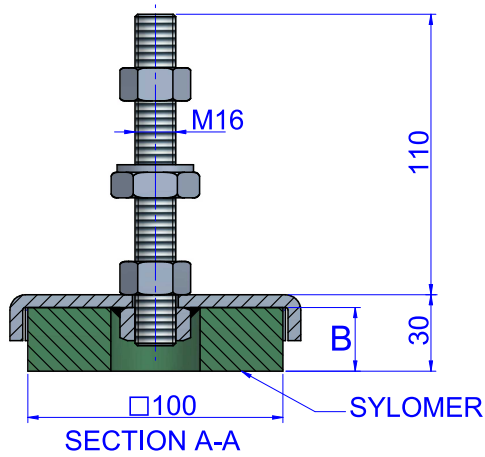
The AMC-MECANOCAUCHO® TSR type anti vibration mounts include a microcellular and resilient polyurethane compound for anti-vibration purposes called Sylomer®. This Sylomer® is oil resistant and with a temperature range of -30°C/+70°C.

The TSR mounts can be fixed mechanically thanks to the internal nut incorporated to the metallic part that is treated with an antioxidant coat. This coating complies to the RoHs regulations.

In order to match the application, 6 different densities are supplied for a wide range of loads.



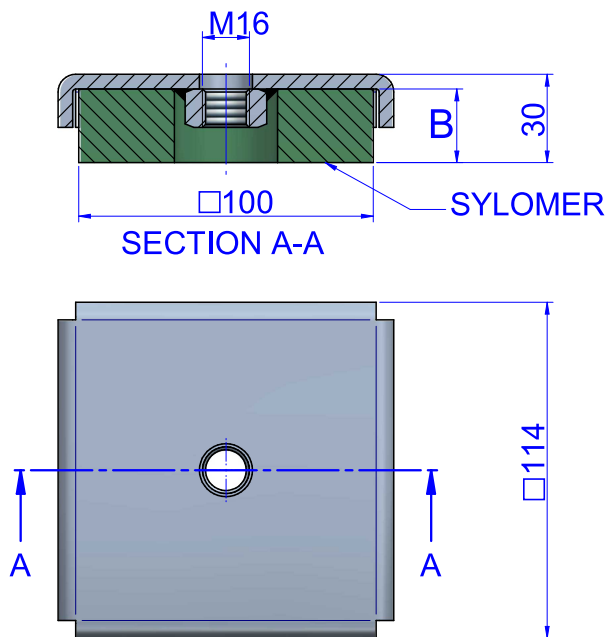
DRAWINGS



DIMENSIONS

Type	B (mm)	Weight (kg)	LOAD kg MIN	LOAD kg MAX	FREQ. Hz. MIN Load	FREQ. Hz. MAX Load	Code
TSR 100x100 SR_55 M16 + Kit Niv.	25	1,1	0	45	-	13,96	157071
	50	1,32	0	44	-	7,82	157170
TSR 100x100 SR_110 M16 + Kit Niv.	25	1,16	46	92	16,52	11,68	157072
	50	1,32	45	82	10,64	7,88	157171
TSR 100x100 SR_220 M16 + Kit Niv.	25	1,24	93	160	14,41	10,99	157073
	50	1,32	83	148	9,88	7,40	157172
TSR 100x100 SR_450 M16 + Kit Niv.	25	1,34	161	323	14,49	10,23	157074
	50	1,32	149	274	10,30	7,59	157173
TSR 100x100 SR_850 M16 +Kit Niv.	25	1,39	324	530	14,42	11,27	157075
	50	1,32	275	409	9,13	7,49	157174
TSR 100x100 SR_1200 M16 + Kit Niv.	25	1,42	531	641	11,26	10,24	157076
	50	1,32	410	521	8,33	7,39	157175

DRAWINGS

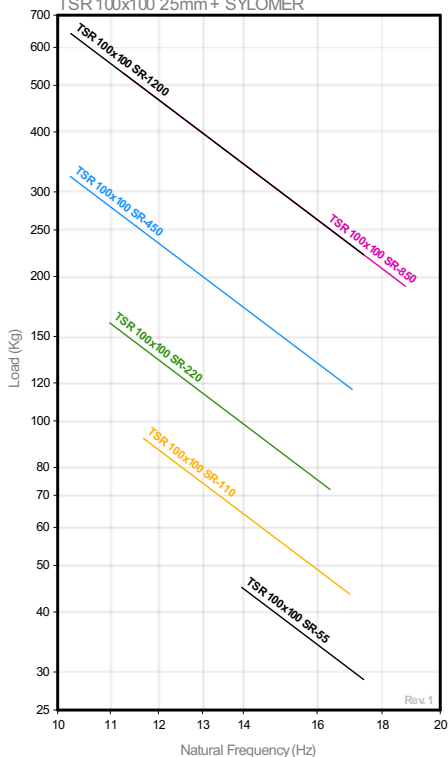


DIMENSIONS

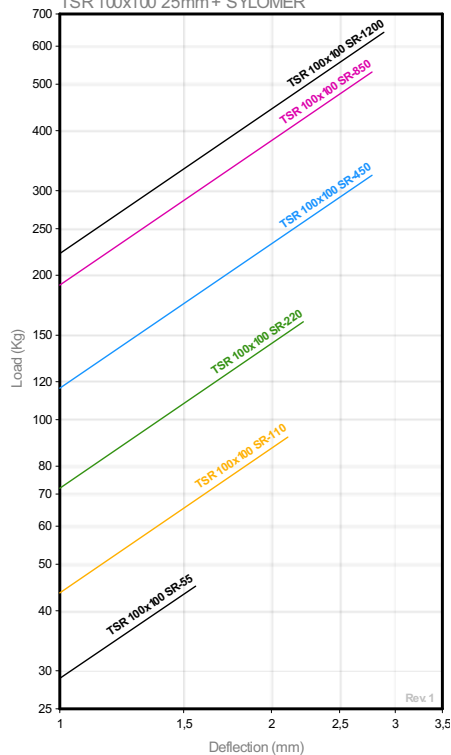
Type	B (mm)	Weight (kg)	LOAD kg MIN	LOAD kg MAX	FREQ. Hz. MIN Load	FREQ. Hz. MAX Load	Code
TSR 100x100 SR55 M16	25	1,10	0	45	-	13,96	157083
	50	0,99	0	44	-	7,82	157091
TSR 100x100 SR110 M16	25	1,10	46	92	16,52	11,68	157084
	50	0,99	45	82	10,64	7,88	157092
TSR 100x100 SR220 M16	25	1,10	93	160	14,41	10,99	157085
	50	0,99	83	148	9,88	7,40	157093
TSR 100x100 SR450 M16	25	1,10	161	323	14,49	10,23	157086
	50	0,99	149	274	10,30	7,59	157094
TSR 100x100 SR850 M16	25	1,10	324	530	14,42	11,27	157087
	50	0,99	275	409	9,13	7,49	157095
TSR 100x100 SR1200 M16	25	1,10	531	641	11,26	10,24	157088
	50	0,99	410	521	8,33	7,39	157096

Elastical properties

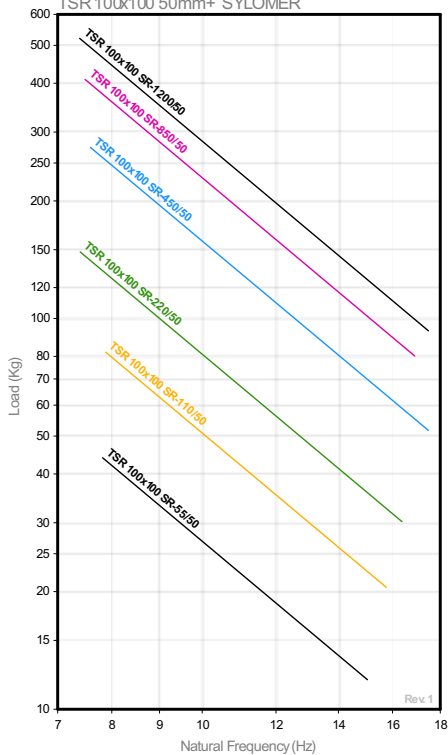
NATURAL FREQUENCY GRAPHS
TSR 100x100 25mm+ SYLOMER



LOAD DEFLECTION GRAPHS
TSR 100x100 25mm+ SYLOMER



NATURAL FREQUENCY GRAPHS
TSR 100x100 50mm+ SYLOMER



LOAD DEFLECTION GRAPHS
TSR 100x100 50mm+ SYLOMER

