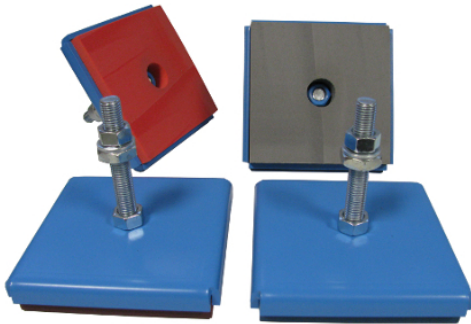


TSR 150X150 ANTI VIBRATION MOUNT



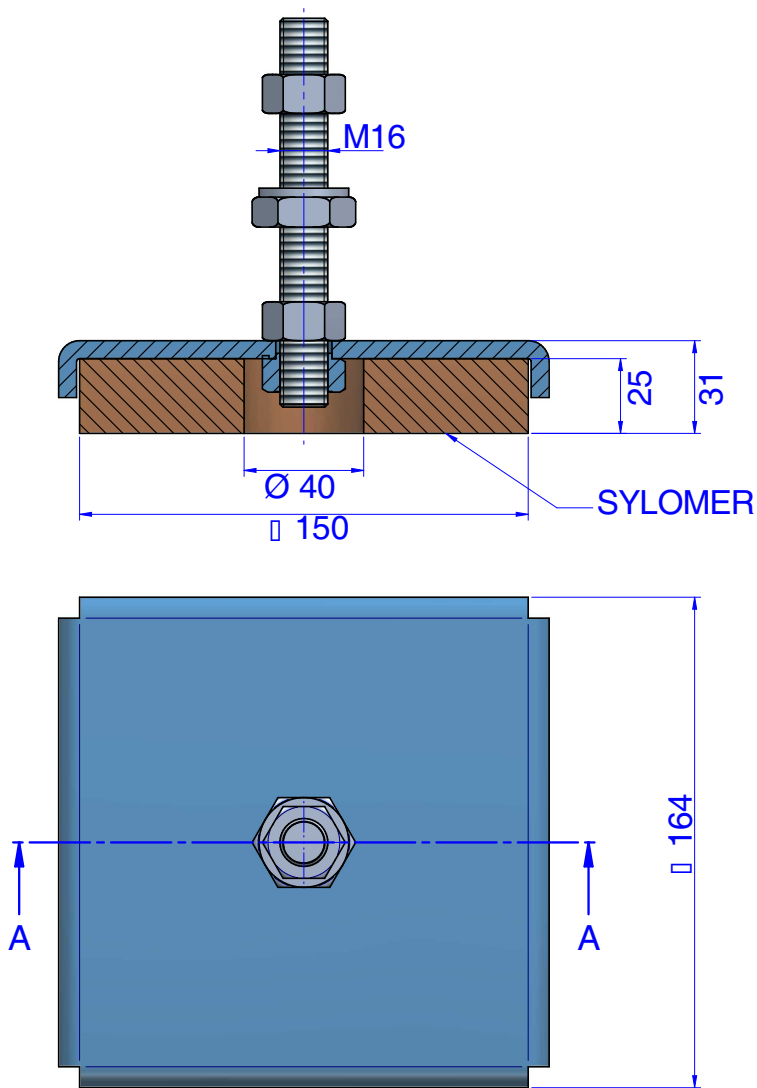
The AMC-MECANOCAUCHO® TSR type anti vibration mounts include a microcellular and resilient polyurethane compound for anti-vibration purposes called Sylomer®. This Sylomer® is oil resistant and with a temperature range of -30°C/+70°C.

The TSR mounts can be fixed mechanically thanks to the internal nut incorporated to the metallic part that is treated with an antioxidant coat. This coating complies to the RoHs regulations.

In order to match the application, 6 different densities are supplied for a wide range of loads.



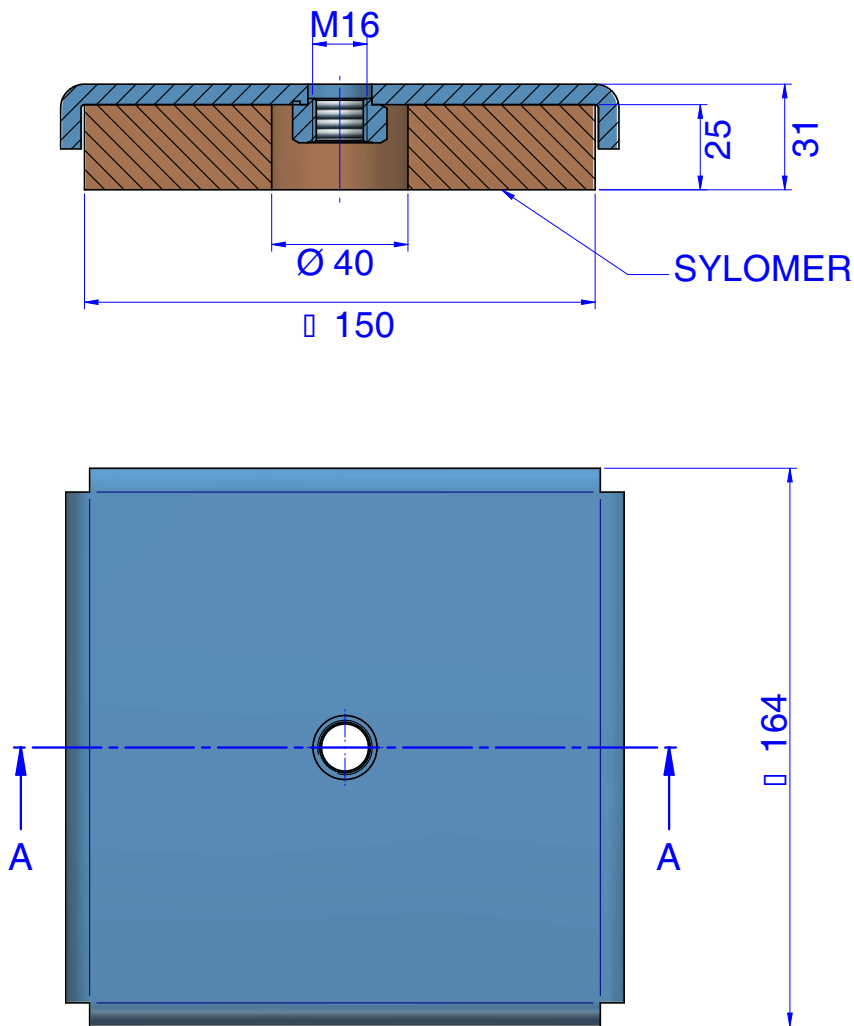
DRAWINGS



DIMENSIONS

Type	LOAD kg MIN	LOAD kg MAX	FREQ. Hz. MIN Load	FREQ. Hz. MAX Load	Code
TSR 150x150 SR_110 M16 + Kit Niv. M16x130	107	230	16,7	11,4	157120
TSR 150x150 SR_220 M16 + Kit Niv. M16x130	230	430	16,6	10,5	157121
TSR 150x150 SR_450 M16 + Kit Niv. M16x130	430	860	17,4	10,0	157122
TSR 150x150 SR_850 M16 + Kit Niv. M16x130	860	1420	18,6	11,3	157123
TSR 150x150 SR_1200 M16 + Kit Niv. M16x130	1420	1900	18,6	10,6	157124

DRAWINGS

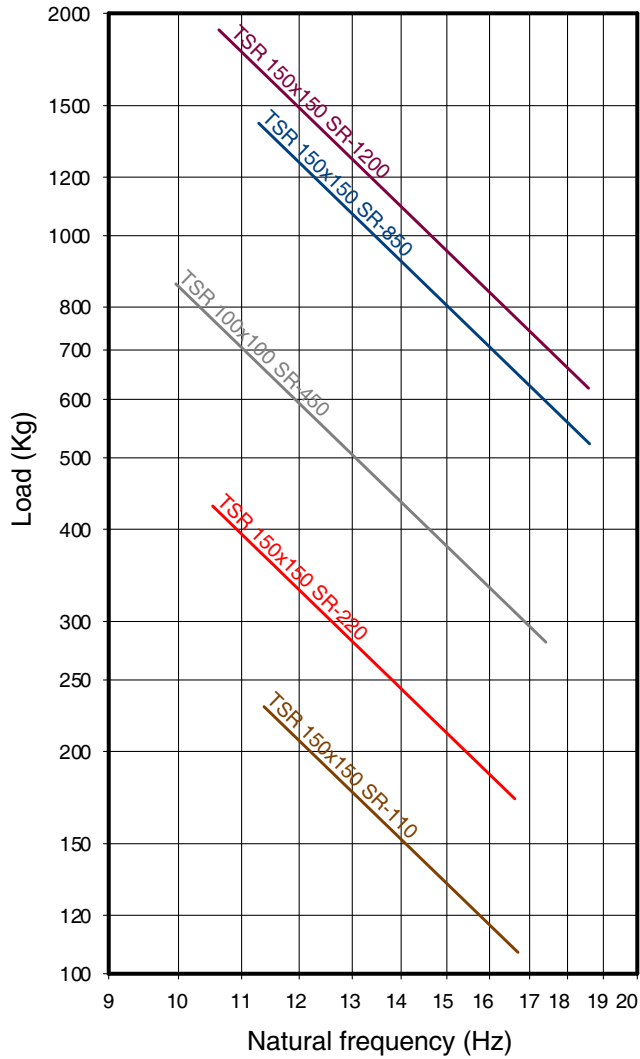


DIMENSIONS

Type	LOAD kg MIN	LOAD kg MAX	FREQ. Hz. MIN Load	FREQ. Hz. MAX Load	Code
TSR 150x150 SR_110 M16	107	230	16,7	11,4	157125
TSR 150x150 SR_220 M16	230	430	16,6	10,5	157126
TSR 150x150 SR_450 M16	430	860	17,4	10,0	157127
TSR 150x150 SR_850 M16	860	1420	18,6	11,3	157128
TSR 150x150 SR_1200 M16	1420	1900	18,6	10,6	157129

Elastical properties

NATURAL FREQUENCY CURVES
TSR 150x150 + SYLOMER®



LOAD DEFLECTION CURVES
TSR 150x150 + SYLOMER®

